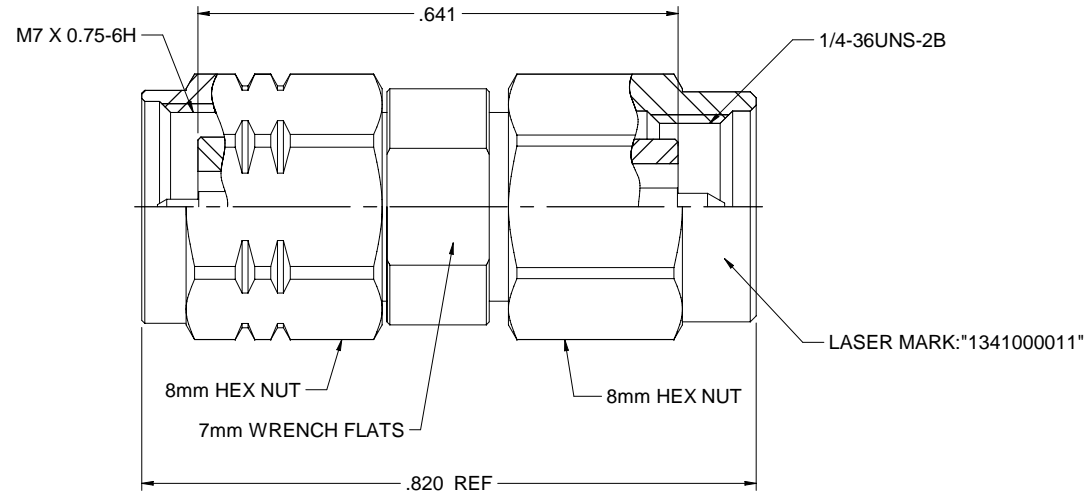


MODEL NO.	PACKAGING
134-1000-011	ONE PCS PER BAG

REV	ECO	DATE
001	ECO-17-0032	11/28/2017
002	ECO-18-0020	08/21/2018



NOTES: UNLESS OTHERWISE SPECIFIED

1. MATERIAL & FINISH:

- 1.1 BODY & SHELL: PASSIVATED STAINLESS STEEL
- 1.2 CONTACT PIN : GOLD PLATED BERYLLIUM COPPER
- 1.3 INSULATOR: ULTEM 1000 AMBER
- 1.4 GASKET: SILICONE RED
- 1.5 C RING: BERYLLIUM COPPER

2. ELECTRICAL:

- 2.1 IMPEDANCE: 50 OHMS
- 2.2 FREQUENCY RANGE: DC-46 GHZ
- 2.3 INSERTION LOSS: 0.3DB MAX
- 2.4 DIELECTRIC WITHSTANDING VOLTAGE: 500 VRMS MIN
- 2.5 VOLTAGE STANDING WAVE RATIO: DC-4 GHZ: 1.05 MAX
4 -20 GHZ: 1.08 MAX
20-46 GHZ: 1.15 MAX
- 2.6 CONTACT RESISTANCE: CENTER CONTACT: 4 MILLIOHMS MAX
OUTER CONTACT: 2.5 MILLIOHMS MAX
- 2.7 INSULATION RESISTANCE: 5000 MOHM MIN

3. MECHANICAL:

- 3.1 ENGAGEMENT FORCE/DISENGAGEMENT FORCE: 0.23NM MAX
- 3.2 COUPLING PROOF TORQUE: 1.65 NM MIN (2.4MM), 1.7 NM MIN (2.92MM)
- 3.3 COUPLING NUT RETENTION: 267 N MIN
- 3.4 CONTACT RETENTION: 20N MIN
- 3.5 DURABILITY (MATING): 500 CYCLES MIN

4. ENVIRONMENT:

- 4.1 THERMAL SHOCK: MIL-STD-202, METHOD 107, CONDITION B.
- 4.2 OPERATING TEMPERATURE: -65 TO 165°C
- 4.3 SHOCK: MIL-STD-202, METHOD 213, CONDITION I
- 4.4 VIBRATION: MIL-STD-202, METHOD 204, CONDITION D
- 4.5 MOISTURE RESISTANCE: MIL-STD-202, METHOD 106

	Model No. 134-1000-011	Johnson	
	RoHS2 2011/65/EU	Title: ADAPTER ASSEMBLY 2.4mm PLUG TO 2.92mm(SMK) PLUG	Drawing No. 134-1000-011
XXX - 02 XXXX - 01 ANGLES - 45°	Date: 08/21/2018	Rev. 002	Sheet 1 of 1