

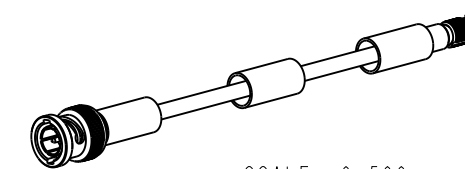
NOTES:

1. MATERIALS AND FINISHES:  
 BNC STR CRIMP PLUG- BRASS, NICKEL PLATING  
 HD-BNC STR PLUG - BRASS, NICKEL PLATING  
 CABLE - BELDEN 4855R
2. ELECTRICAL:  
 A. IMPEDANCE: 75 OHM
3. PACKAGING:  
 A. QUANTITY: SINGLE PACK  
 B. MARKING: BAG TO BE MARKED  
 "AMPHENOL RF, 95-850-189-XXX AND DATE CODE"

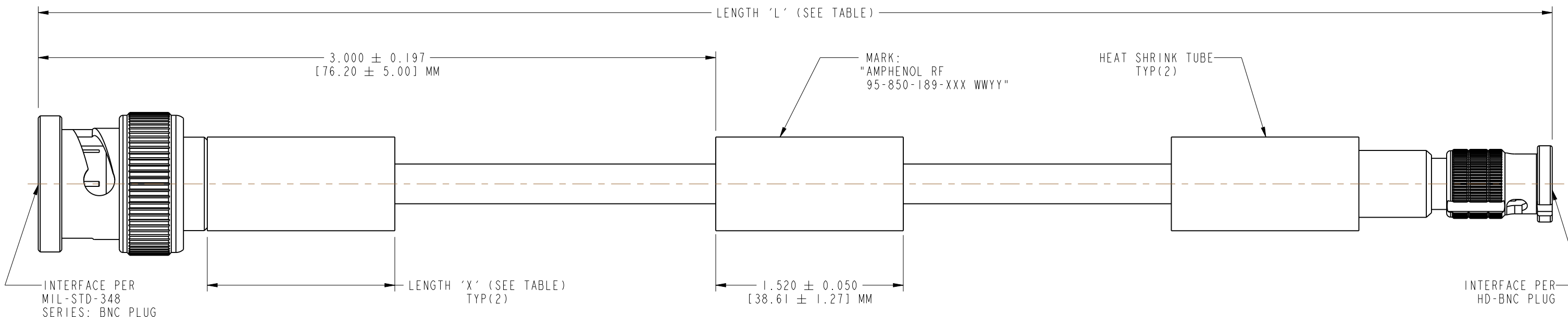
THIRD ANGLE PROJ.

REVISIONS

REV	DESCRIPTION	DATE	ECO	APPR
A	RELEASE TO MFG.	05-May-17	3682	BMG



SCALE 0.500



LENGTH TABLE			
PART NUMBER (IMPERIAL)	PART NUMBER (METRIC)	LENGTH 'L' IN INCHES [METERS]	LENGTH 'X' IN INCHES [METERS] MIN
95-850-189-006	-	6.00 [0.152]	0.75 [0.019]
-	95-850-189M025	9.84 [0.250]	
95-850-189-012	-	12.00 [0.305]	
95-850-189-018	-	18.00 [0.457]	1.50 [0.038]
-	95-850-189M050	19.69 [0.500]	
95-850-189-024	-	24.00 [0.610]	
-	95-850-189M075	29.53 [0.750]	
95-850-189-036	-	36.00 [0.914]	
-	95-850-189M100	39.37 [1.000]	
95-850-189-048	-	48.00 [1.219]	
-	95-850-189M200	78.74 [2.000]	
-	95-850-189M400	157.48 [4.000]	

TOLERANCE TABLE	
LENGTH IN INCHES/FT [METERS]	TOLERANCE
0" - 23.90" [0 - 0.607]	±0.25" [0.006]
24.00" - 59.00" [0.610 - 1.499]	±0.50" [0.013]
5.0' - 24.9' [1.524 - 7.617]	±2.5%
25.0' & UP [7.620 & UP]	±5.0%

DESIGN REQUIREMENTS:

FREQUENCY : DC TO 12 GHz     CONTINUITY

VSWR : 1 MAX     HI-POT: 250 VRMS

INS. LOSS : \_\_\_\_ dB MAX     OTHER

**CUSTOMER OUTLINE DRAWING**  
 ALL OTHER SHEETS ARE FOR INTERNAL USE ONLY

UNLESS OTHERWISE SPECIFIED, DIMENSIONS ARE IN INCHES AND TOLERANCES ARE: 2 PLACE DECIMAL    3 PLACE DECIMAL    ANGLES ±.015 (0.381 mm)    ±.005 (0.127 mm)    ± 1°	MATERIAL	DRAWN	DATE	TITLE BNC STR CRIMP PLUG TO HD-BNC STR PLUG USING BELDEN 4855R CABLE, VARIOUS LENGTH	Amphenol RF www.amphenolrf.com
	SEE NOTES	VIJI K	24-Mar-17		
NOTICE - These drawings, specifications, or other data (1) are, and remain the property of Amphenol corp. (2) must be returned upon request; and (3) are confidential and not to be disclosed to any person other than those to whom they are given by Amphenol Corp. the furnishing of these drawings, specifications, or other data by Amphenol Corp., or to any other person to anyone for any purpose is not to be regarded by implication or otherwise in any manner licensing, granting rights to permitting such holder or any other person to manufacture, use or sell any product, process or design, patented or otherwise, that may in any way be related to or disclosed by said drawings, specifications, or other data.	REFERENCE	ENGINEER	DATE	SCALE: 2.5:1.0	SHEET 2 OF 2
	EAR # 7624	VIJI K	24-Mar-17		
	CONFIGURATION LEVEL: In Work	APPROVED	DATE		
FINISH	K. CAPOZZI	05-May-17		DWG SIZE	REV
				B	A
					DRAWING NO. 95-850-189-XXX
					ITEM NO. 95-850-189-XXX
					PART NO. 95-850-189-XXX