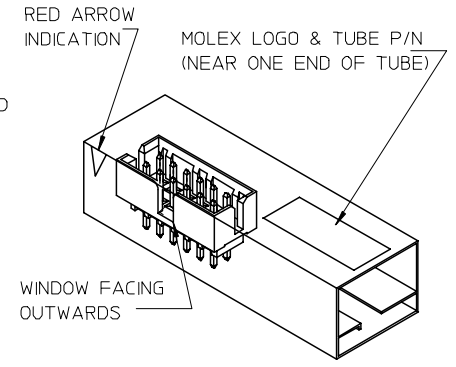
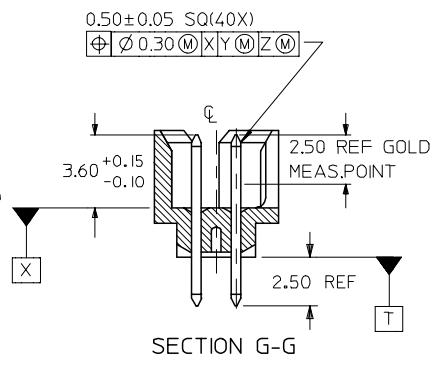
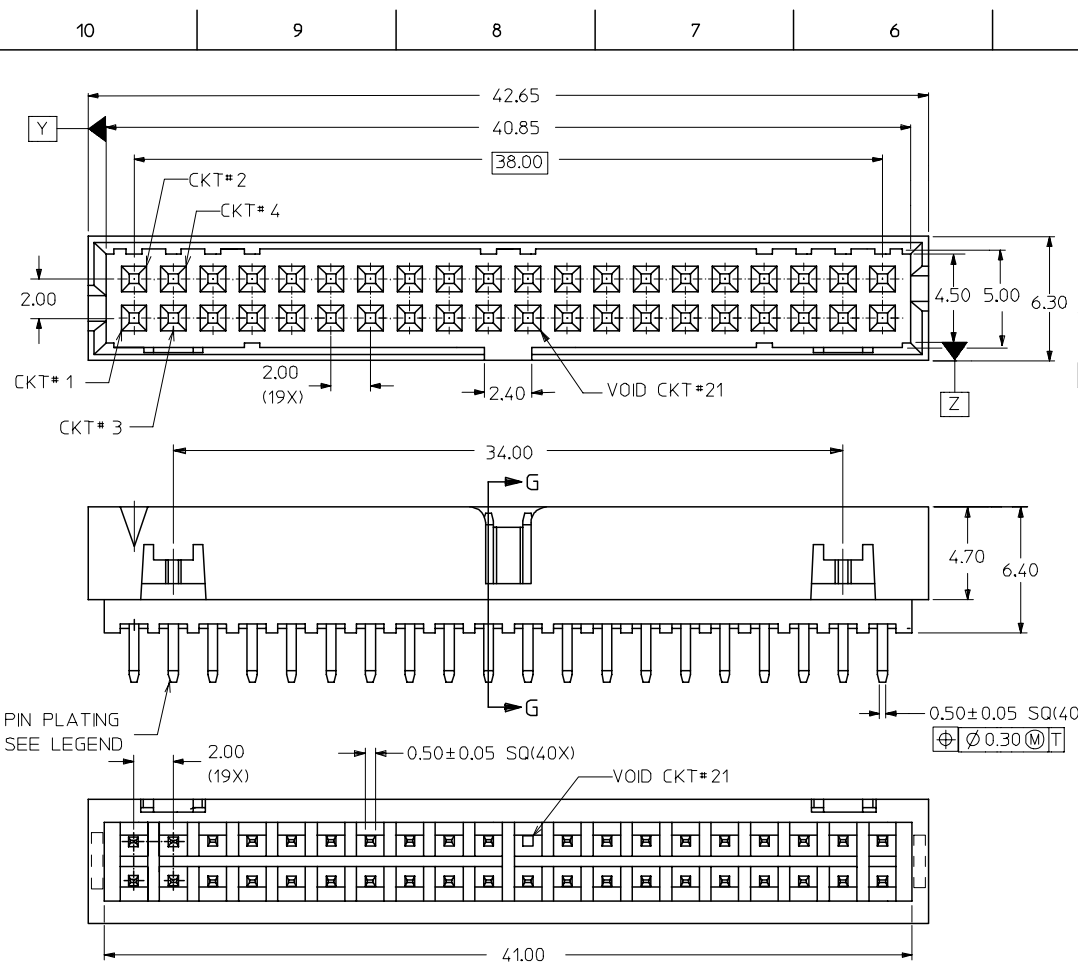


PART NO.	CKT SIZE	VOID CKT
87831-40**	40	21



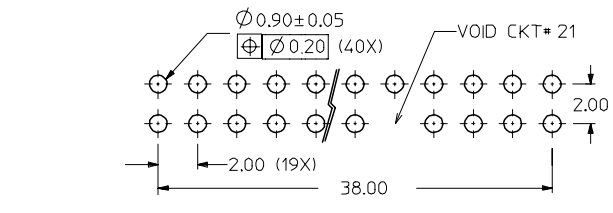
ORIENTATION OF PART IN TUBE  
(FOR THE REFERENCE OF PART/TUBE ASSEMBLY)

PART NUMBER LEGEND:

- 87831 - 40 \*\*
- CKT SIZE | PLATING OPTIONS
- 33 - 0.38um/15uin GOLD IN CONTACT AREA AND 1.88um/75uin MIN. TIN IN SOLDER TAIL AREA OVER 1.27um/50uin MIN. NICKEL OVERALL.
  - 34 - 0.76um/30uin GOLD IN CONTACT AREA AND 1.88um/75uin MIN. TIN IN SOLDER TAIL AREA OVER 1.27um/50uin MIN. NICKEL OVERALL.

NOTES:

- PRODUCT SPECIFICATION PS-87831-027 APPLIES.
- MATERIAL :  
HOUSING : NYLON 46, 30% G.F., UL94V-0 COLOR BLACK.  
PIN : PHOSPHOR BRONZE, SQ. 0.50MM
- PIN PUSHOUT FORCE : 0.91KG MIN. IN EITHER DIRECTION.
- THIS HEADER MATES WITH MOLEX :  
a) CRIMP RECEPTACLE HOUSING, 51110 SERIES WITH CRIMP TERMINAL, 50394 SERIES  
b) 2mm MILLIGRID DUAL ROW IDT, 87568 SERIES.
- PARTS TO BE PACKED IN TUBE WITH MOISTURE BARRIER BAG.



RECOMMENDED PCB PATTERN

ADD MOIST BAG NOTE  
EC NO: S2007-0892  
DRAWN: GEMENARLY  
CHKD: SXANG  
APPR: MLONG

REV	DESCRIPTION
A2	

QUALITY SYMBOLS	
$\nabla=0$	
$\nabla C=0$	
GENERAL TOLERANCES (UNLESS SPECIFIED)	
	mm
	INCH
4 PLACES	± ---
3 PLACES	± ---
2 PLACES	± 0.20
1 PLACE	± ---
ANGULAR ± 3 °	
DRAFT WHERE APPLICABLE MUST REMAIN WITHIN DIMENSIONS	

DIMENSION STYLE	
MM ONLY	
DRAWN BY	DATE
ATSEE	2004/08/26
CHECKED BY	DATE
SHONG	2004/11/22
APPROVED BY	DATE
SKTOH	2004/11/23
MATERIAL NO.	
SEE TABLE	
SIZE	A3

SCALE	DESIGN UNITS	THIRD ANGLE PROJECTION	
NTS	METRIC	$\odot$	$\square$
TITLE			
MGRID, SHROUDED HEADER VERTICAL W/SLOT & STANDOFFS			
MOLEX INCORPORATED			
DOCUMENT NO.		SHEET NO.	
SD-87831-043		1 OF 1	
THIS DRAWING CONTAINS INFORMATION THAT IS PROPRIETARY TO MOLEX INCORPORATED AND SHOULD NOT BE USED WITHOUT WRITTEN PERMISSION			