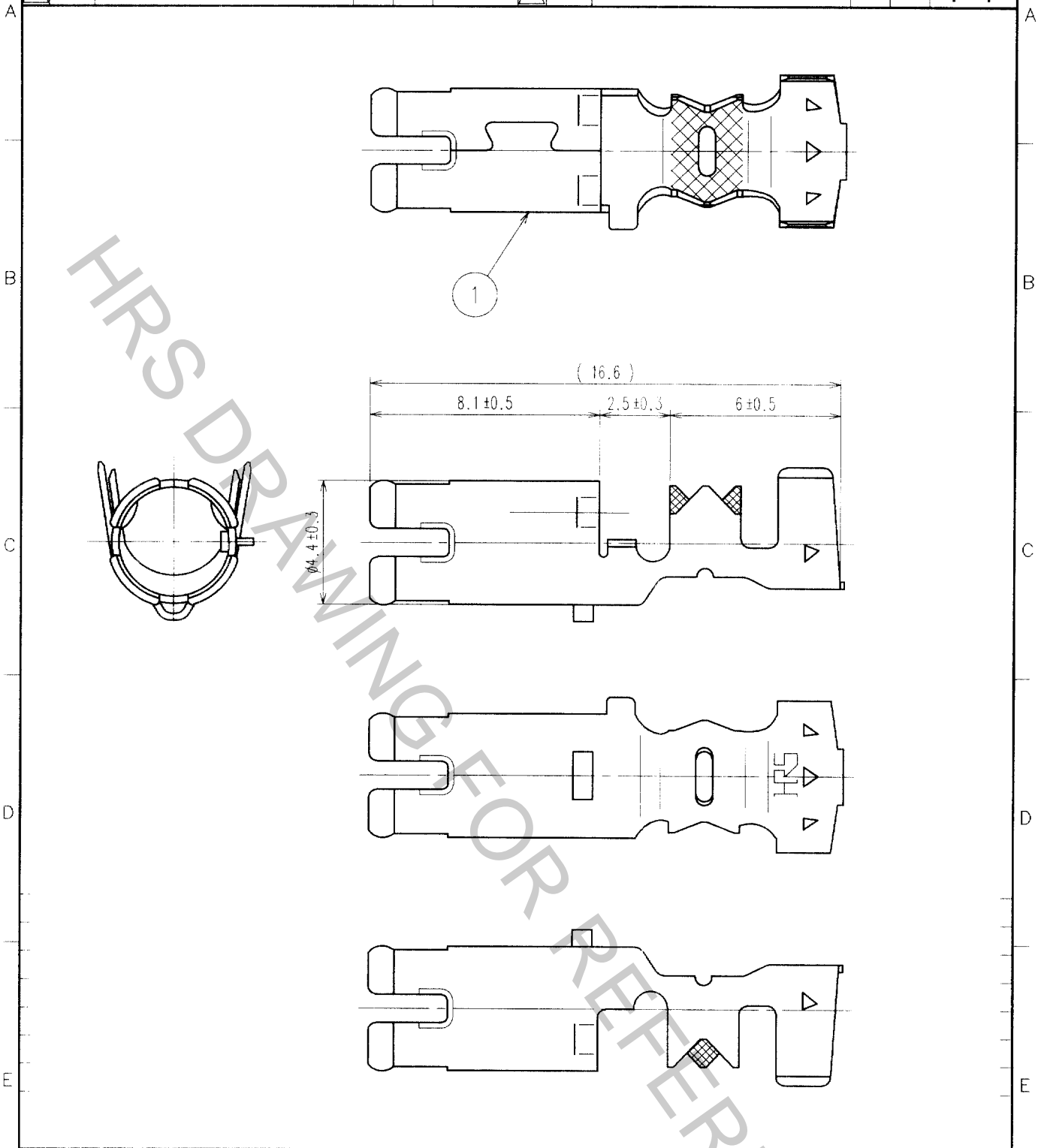


1			2			3			4		
COUNT	DESCRIPTION OF REVISIONS	BY	CHKD	DATE	COUNT	DESCRIPTION OF REVISIONS	BY	CHKD	DATE		
△					△						
△					△						
△					△						



1	PHOSPHOR BRONZE	TIN PLATED , T=0.25						
NO.	MATERIAL	FINISH, REMARKS	NO.	MATERIAL	FINISH, REMARKS			
CODE NO. (OLD)			DRAWN	DESIGNED	CHECKED	APPROVED	RELEASED	
			T.SHISHIKURA	T.SHISHIKURA	N. Haru- bayashi	K. Aoto		
			'03 .8 .6	'03 .8 .6	'03.8.6	03.3.1		
DRAWING NO. EDC4-165923			PART NO. GT16C-1.6-2.9PC					
UNITS mm			CODE NO. CL766-0019-8				1/1	

TO

