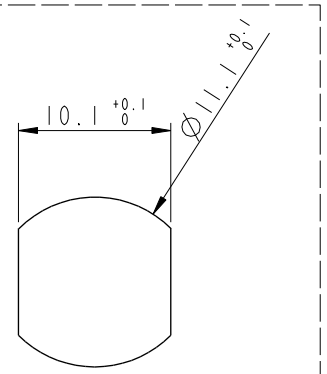
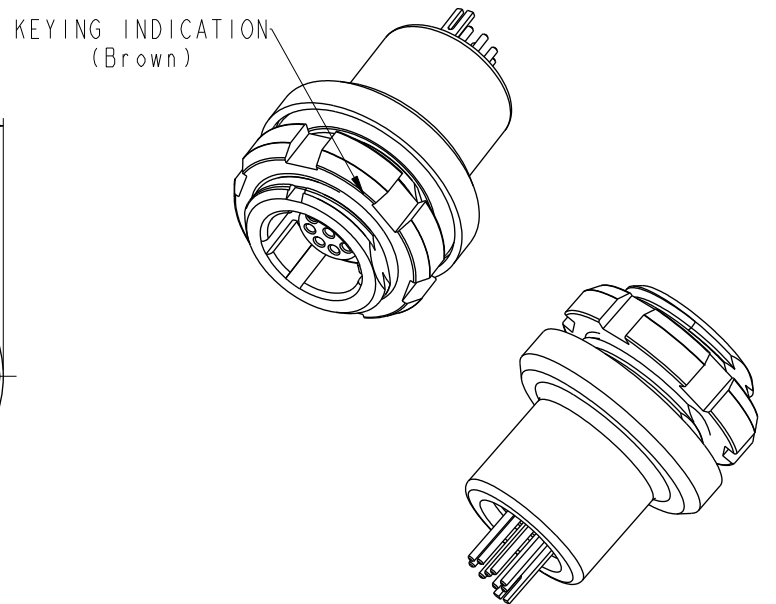
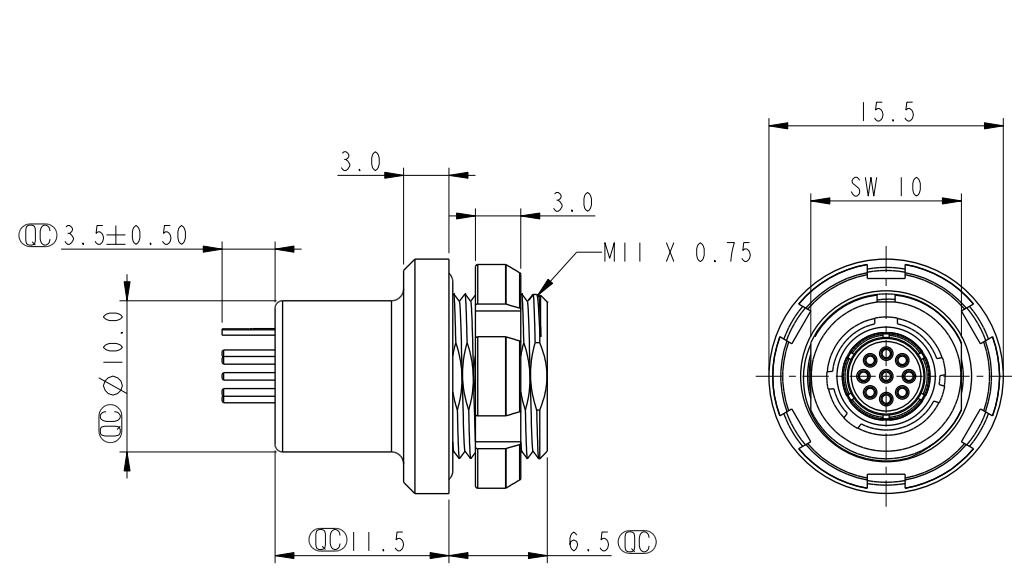


THIS DOCUMENT IS SUBJECT TO CHANGE WITHOUT NOTICE. IT IS CONFIDENTIAL AND A PROPERTY OF Amphenol LTW. DISCLOSURE TO THIRD PARTY HAS TO BE AUTHORIZED BY Amphenol LTW.

REV.	ECN NO.	DATE	SIGN	DESCRIPTION
A		2021/04/28	Vincent Huang	Rev.01 to A.
B	C211268	2021/08/17	Vincent Huang	$\triangle B$ XI



Recommended Panel Cut-Out

- Note:
- * RoHS Compliant
 - * CC Important Dimension
 - * Waterproof Rate: IPX8, Mated 1m/2h.
 - * Connector
 - Housing: Thermoplastic, Natural.
 - Pin: Copper Alloy, Gold Plated
 - O-Ring: Rubber, Black.
 - * Shield: Metal.
 - * Nut: Metal.
 - * O-Ring: Rubber, Black.
 - * For Panel Thickness Max 3.0mm.
 - * Recommend pcb thickness: 2.0mm.
 - * O-Ring is assembled on connectors.
 - * Nut is packed separately in PE bag.



UNIT:mm		TITLE		ITEM NO		DRAWN BY		DATE
		FLOS, DY-SER, SZ 0, PANEL F S/NUT, F, PCB S, 5KEY BR		FDYB-XXEFP-RDK-001		Vincent Huang		2020/08/18
		SCALE	SIZE	SHEET	OF	CHECKED BY	DATE	
TOLERANCE		2:1	A4	1	2	Aric Ko	2020/08/18	
.X	±0.25	REV.	B	WC-REV.	.0	APPROVED BY	Max Yang	2020/08/18
.XX	±0.1	CC : Inspection item		ALTW				
.XXX	±0.05							
ANGLES	±1°							

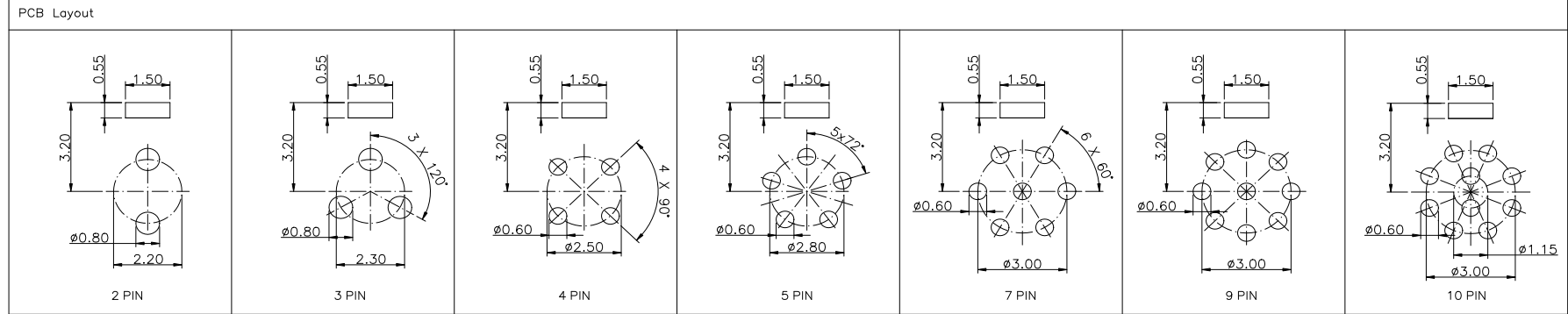
Amphenol LTW
安費諾亮泰企業股份有限公司

THIS DOCUMENT IS SUBJECT TO CHANGE WITHOUT NOTICE. IT IS CONFIDENTIAL AND A PROPERTY OF Amphenol LTW. DISCLOSURE TO THIRD PARTY HAS TO BE AUTHORIZED BY Amphenol LTW.

FDYB-XXEFP-RDK-001



Code ①	Housing Material & Surface Plating	Code ②	Key Point				
	D		R (Brown)				
	AL ALLOY/BK Cr	Graphic					
Code ③	Pin Configuration (Solder Definition)						
Graphic							
	2 PIN	3 PIN	4 PIN	5 PIN	7 PIN	9 PIN	10 PIN



UNIT:mm		
TOLERANCE		
.X	±0.25	
.XX	±0.1	
.XXX	±0.05	
ANGLES	±1°	

TITLE FLOS, DY-SER, SZ 0, PANEL F S/NUT, F, PCB S, 5KEY BR			
SCALE 1:1	SIZE A4	SHEET 2 OF 2	
REV. B	WC-REV. .0	QC: Inspection item	

Amphenol LTW
安費諾亮泰企業股份有限公司

ITEM NO	DRAWN BY	DATE
DWG NO FDYB-XXEFP-RDK-001	Vincent Huang	2020/08/18
CUSTOMER ALTW	CHECKED BY Aric Ko	DATE 2020/08/18
	APPROVED BY Max Yang	DATE 2020/08/18

DATE	2020/08/18
DATE	2020/08/18
DATE	2020/08/18