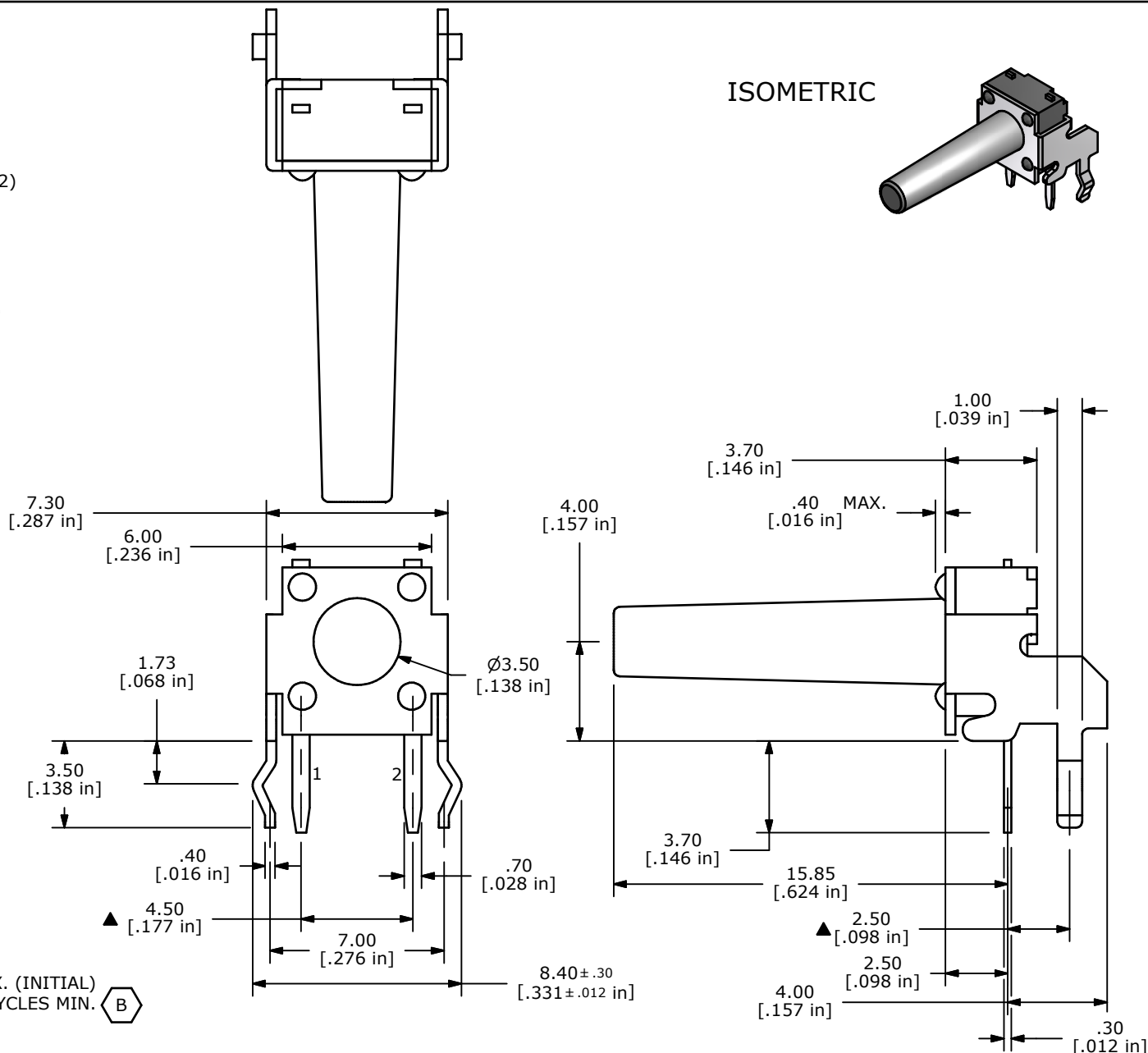
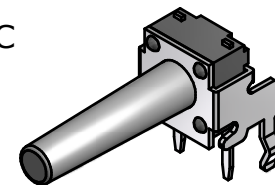


- NOTES:
1. ALL DIMENSIONS IN MM
 2. GENERAL TOLERANCE: X.X=±0.4
X.XX=±0.25
 3. TERM. NOS. FOR REFERENCE ONLY.
 4. RATING: 12VDC, 50mA
 - ▲ 5. OPERATING FORCE: 65 ± 20gf (B)
 6. TRAVEL: 0.25 +0.2/-0.1 mm
 7. CONTACT RESISTANCE: 50 MILLI OHMS MAX. (INITIAL)
 8. MECHANICAL/ELECTRICAL LIFE 5,000,000 CYCLES MIN. (B)
 - ▲ 9. CONTACT MATERIAL: SILVER
 10. ▲ DENOTES CRITICAL PARAMETER
 11. 2002/95/EC (ROHS) COMPLIANT
 12. PACKAGING: 750 PIECES/POLY BAG (B)



ISOMETRIC



 E-SWITCH®				
TITLE LL1105QF065Q				
SCALE	DATE	DR	DWG	REV
4:1	12/17/2009	BLR	P010252	B

THE INFORMATION CONTAINED IN THIS DOCUMENT IS PROPRIETARY TO E-SWITCH AND IS NOT TO BE COPIED OR TRANSFERRED

B	20957	CORRECT FORCE, LIFE AND PACKAGING	1/8/13	EBP
A	18729	RELEASED FOR PRODUCTION	12/17/09	BLR
REV	PCR NO	DESCRIPTION	DATE	BY