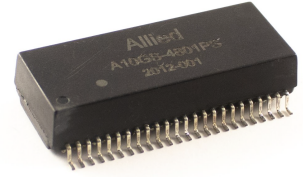


10 Gigabit BaseT Dual Port PoE+ LAN Filter Module

A10GS-4801PS

- Suitable for PoE+ applications with 600mA current capability
- Meets IEEE802.3at requirements
- Operating Temp: 0°C to +70°C
- Reflow condition: Tp is 260°C/-5°C for 30 Sec. (Refer to IPC/JEDEC J-STD-020 standard)



Electrical Specifications @ 25°C

OCL(μH Min) @ 100kHz, 0.1V	Turns Ratio (±5%)	Return Loss (dB Min)				Isolation Hi-Pot (Vrms)
		1-100MHz	200-300MHz	400MHz	500MHz	
100	1CT:1CT	-18	-12	-11	-10	1500

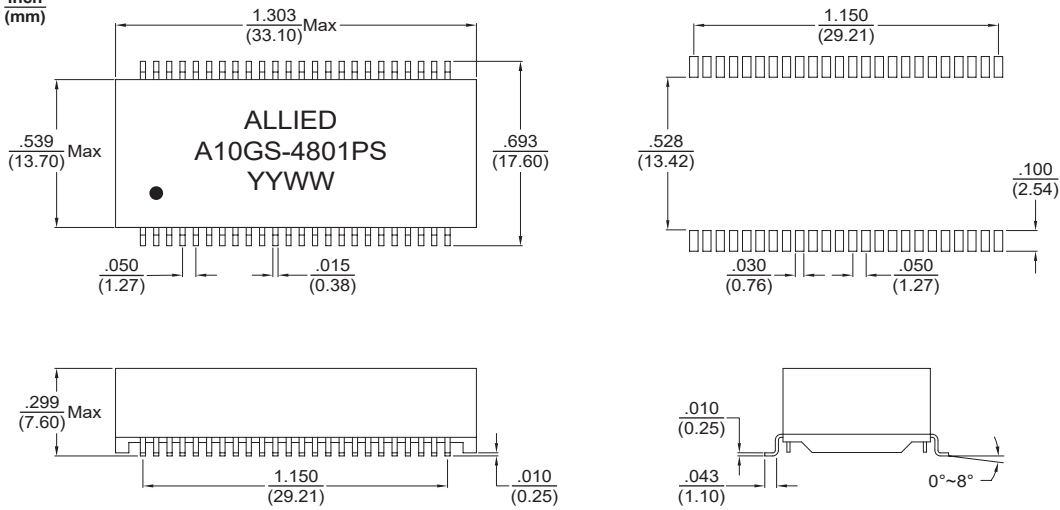
Electrical Specifications @ 25°C

Insertion Loss (dB Max)			Cross Talk (dB Min)		DCMR (dB Min)	
1-300MHz	400MHz	500MHz	1-100MHz	100-500MHz	1-250MHz	250-500MHz
-1.0	-1.5	-2.0	-40	-30	-30	-22

All specifications are subject to change without notice.

MECHANICAL

Dimensions: $\frac{\text{inch}}{\text{mm}}$



Unless otherwise specified, all tolerances are ±0.010(0.25)

SCHEMATICS

