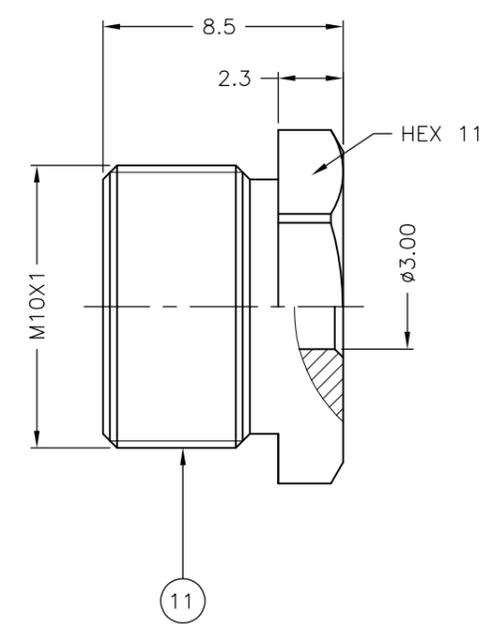
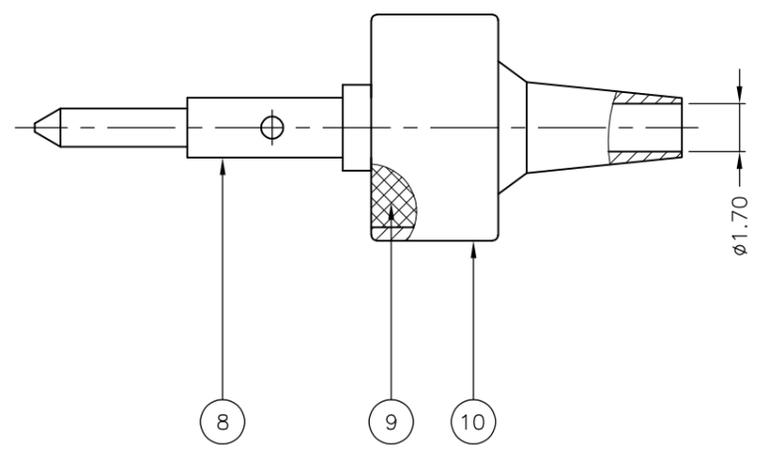
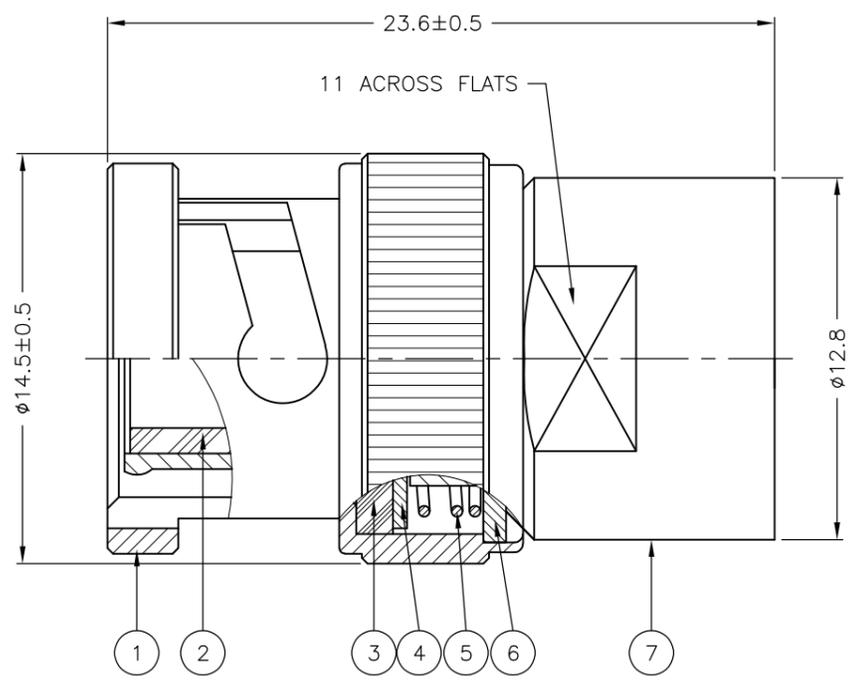


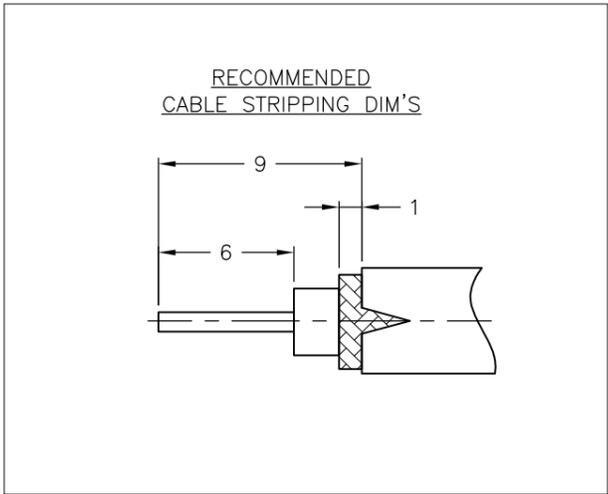
THIS DRAWING IS UNPUBLISHED. RELEASED FOR PUBLICATION NOV , 2005.  
 © COPYRIGHT 2005 By - ALL RIGHTS RESERVED.

LOC	DIST	REVISIONS					
E	B	P	LTR	DESCRIPTION	DATE	DWN	APVD
		C		ECO-14-000286	10JUL2015	RZ	RS



NOTES:

- ① SINGLE PACKING: ONE CONNECTOR PER LABELED BAG PACKAGED. LABELED PER TEC-107-115
- ② Ag PLATING
- ③ PASSIVATION
- ④ THIS ITEM MUST BE WHITE
- 5 ELECTRICAL CHARACTERISTICS  
 FREQUENCY RANGE: DC - 4 GHz  
 NOMINAL IMPEDANCE: 50 Ohm  
 INSULATION RESISTANCE: 5000 MOhm  
 WORKING VOLTAGE: 500 Volts RMS at Sea Level  
 DIELECTRIC WITHSTAND VOLTAGE: 1500 Volts RMS Max  
 CONTACT RESISTANCE:  
   CENTER CONTACT: 1.50 mOhm Max  
   OUTER CONTACT: 1.00 mOhm Max  
 VSWR @ 2.5GHz: 1.50:1 Max  
 INSERTION LOSS @ x 2.5 GHz: 0.5dB Max
- 6 MECHANICAL CHARACTERISTICS  
 COUPLING NUT RETENTION FORCE: 266 N Min  
 CABLE RETENTION FORCE: 53 N Min  
 DURABILITY: 500 Cycles Min
- 7 ENVIRONMENTAL CHARACTERISTICS  
 OPERATING TEMPERATURE: -65 to +165 DegC
- 8 SUPPLIED SEMI-ASSEMBLED (PACK CONTAINS LOOSE PIECES)



QTY	MATERIAL	DESCRIPTION	ITEM
1	BRASS	CLAMP NUT	11
1	BRASS	SLEEVE	10
1	PTFE	INSULATION	9
1	BRASS	CONTACT	8
1	BRASS	BODY	7
1	BRASS	WASHER	6
1	STAINLESS STEEL	SPRING	5
1	PHOSPHOR BRONZE	CIRCLIP	4
1	SILICON RUBBER	GASKET	3
1	PTFE	INSULATION	2
1	BRASS	SHELL	1
1--0	MATERIAL	DESCRIPTION	ITEM

THIS DRAWING IS A CONTROLLED DOCUMENT.		DWN	21-11-01		<b>STE</b> TE Connectivity
		CHK	21-11-01		
		APVD	21-11-01		
		PRODUCT SPEC	F W-KING		
DIMENSIONS: mm		TOLERANCES UNLESS OTHERWISE SPECIFIED:		NAME	
		0 PLC	± 0.5	BNC STRAIGHT PLUG SOLDER (PS) 50 OHM RG174A/U, 188A/U, 316/U, URM95	
		1 PLC	± 0.2		
2 PLC	± 0.1				
3 PLC	± -				
4 PLC	± -				
MATERIAL		FINISH	± -	SIZE	
SEE TABLE				A3 00779 C-1478402	
		CUSTOMER DRAWING		SCALE	NTS
				SHEET	1 OF 1
				REV	C