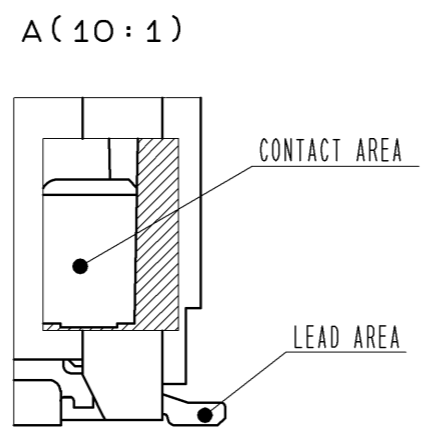
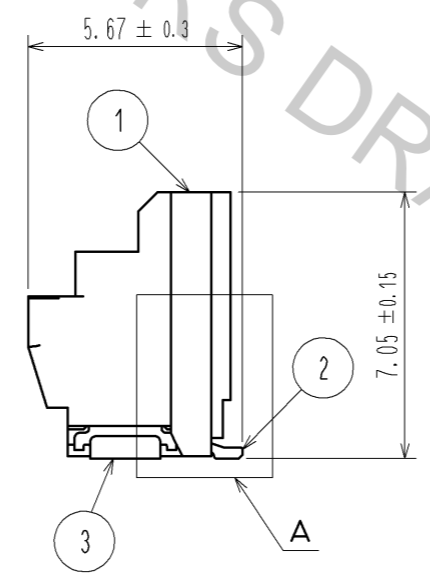
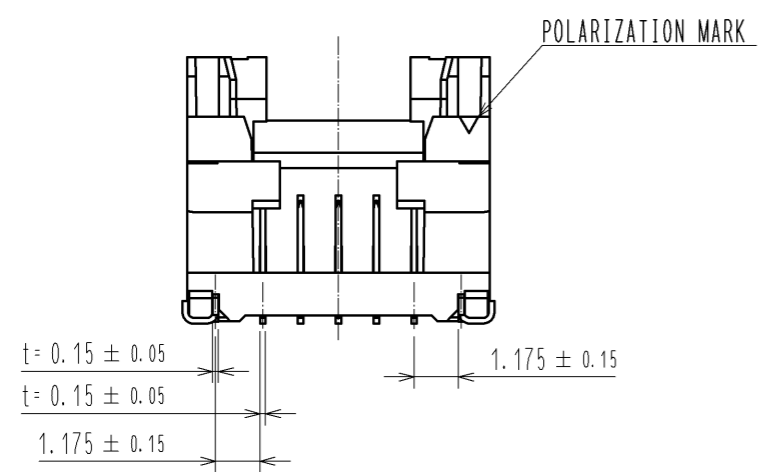
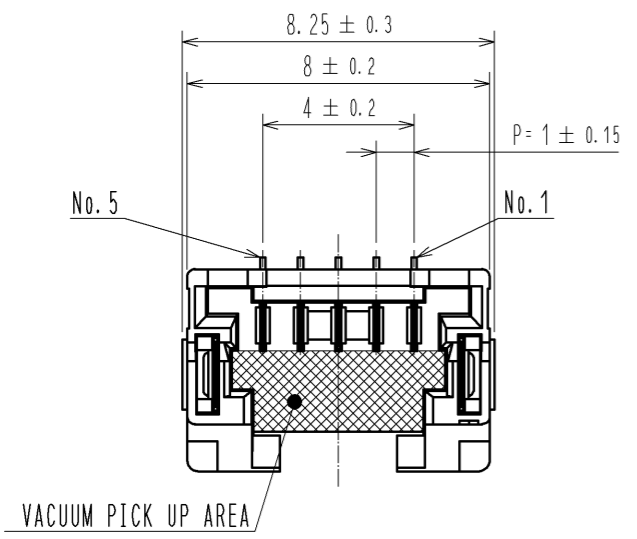
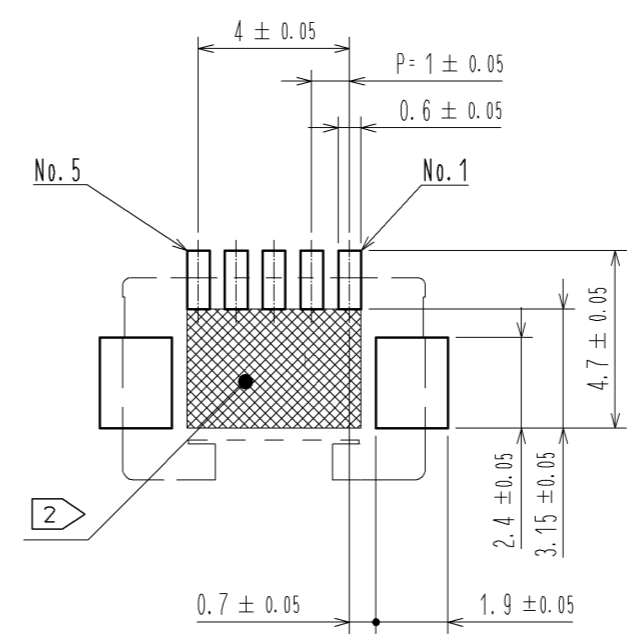


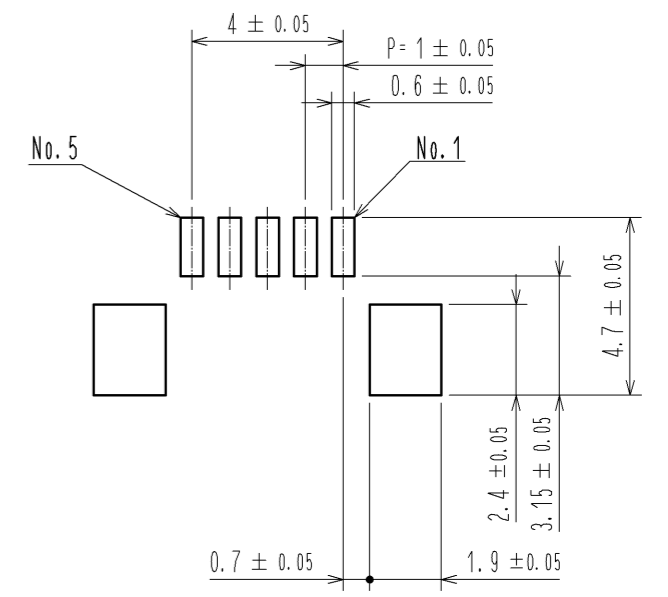
Apr.1.2017 Copyright 2017 HIROSE ELECTRIC CO., LTD. All Rights Reserved.



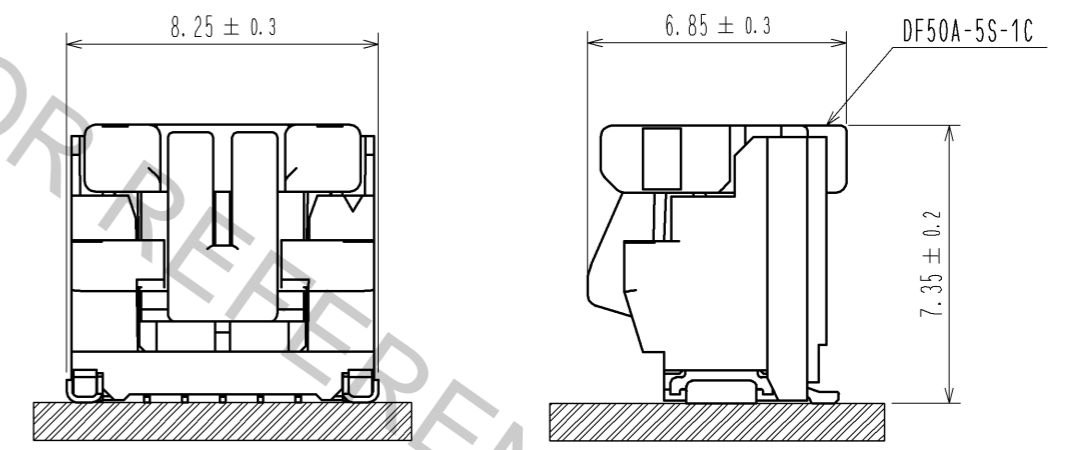
RECOMMENDED PCB LAYOUT
(MOUNTING SURFACE SIDE) (FREE)



RECOMMENDED METAL MASK (FREE)
THICKNESS : 0.1mm
OPEN AREA RATIO:100%

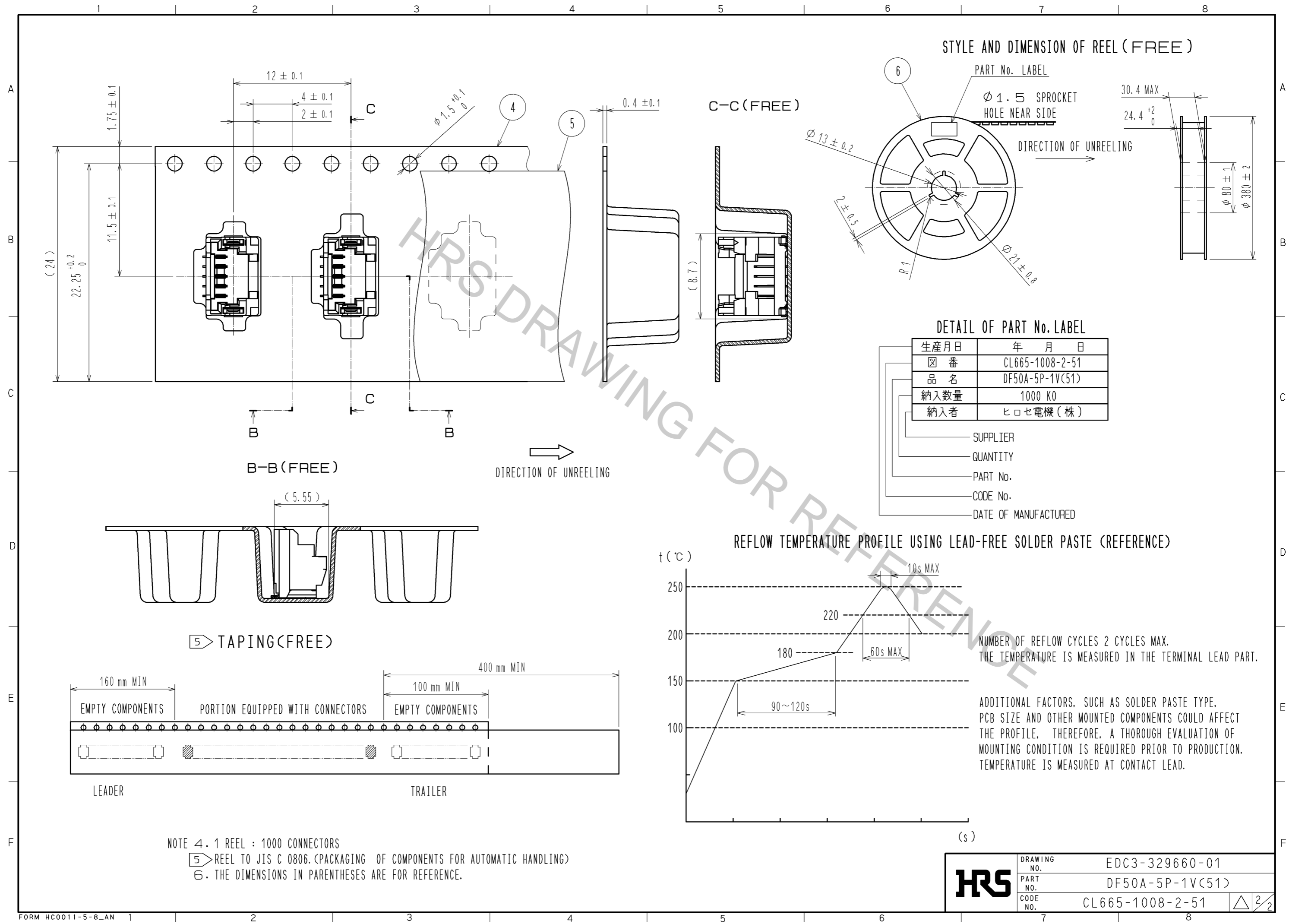


MATING FIGURE(5:1)

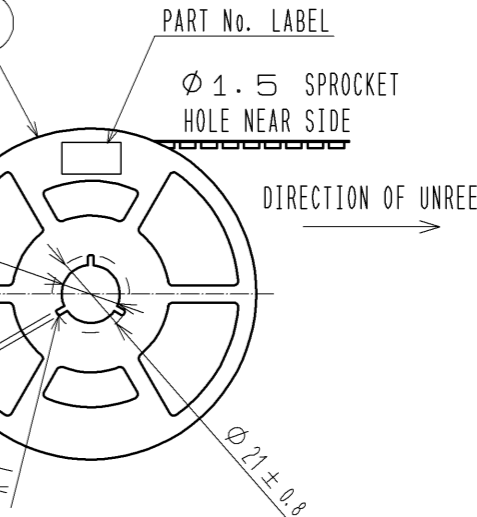


- NOTES 1. LEAD CO-PLANARITY SHALL BE 0.1mm MAX
 2. AREA INDICATED MUST BE FREE OF CONDUCTIVE TRACES OR THE CONDUCTIVE TRACES MUST BE COVERED BY RESIST FILM.
 3. PLEASE CONSULT HIROSE WHEN THE PRODUCT IS MOUNTED TO FPC.

3	PHOSPHOR BRONZE	CONTACT AREA : Sn PLATING 1μm MIN UNDER PLATING : Cu PLATING 0.3μm MIN	6	PS	REEL , BLACK
2	BRASS	CONTACT AREA : Au PLATING 0.05μm MIN LEAD AREA : Au PLATING 0.05μm MIN UNDER PLATING : Ni PLATING 1μm MIN	5	POLYESTER	CLEAR
1	LCP	BLACK . UL94V-0	4	PS	CLEAR
NO.	MATERIAL	FINISH . REMARKS	NO.	MATERIAL	FINISH . REMARKS
UNITS mm		SCALE 5 : 1	COUNT △	DESCRIPTION OF REVISIONS	
DESIGNED		CHECKED		DATE	
APPROVED : KI. AKIYAMA		11.03.18		DRAWING NO. EDC3-329660-01	
CHECED : OM. MIYAMOTO		11.03.18		PART NO. DF50A-5P-1V(51)	
DESIGNED : TT. OHSAKO		11.03.18		CODE NO. CL665-1008-2-51	
DRAWN : TT. OHSAKO		11.03.18		△ 1/2	



STYLE AND DIMENSION OF REEL (FREE)

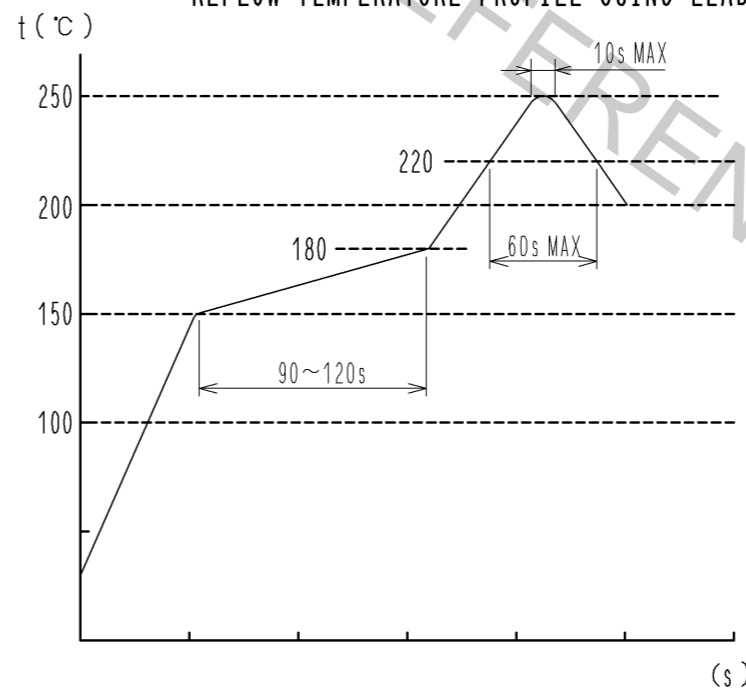


DETAIL OF PART No. LABEL

生産月日	年 月 日
図 番	CL665-1008-2-51
品 名	DF50A-5P-1V(51)
納入数量	1000 KO
納入者	ヒロセ電機(株)

- SUPPLIER
- QUANTITY
- PART No.
- CODE No.
- DATE OF MANUFACTURED

REFLOW TEMPERATURE PROFILE USING LEAD-FREE SOLDER PASTE (REFERENCE)



NUMBER OF REFLOW CYCLES 2 CYCLES MAX.
THE TEMPERATURE IS MEASURED IN THE TERMINAL LEAD PART.

ADDITIONAL FACTORS, SUCH AS SOLDER PASTE TYPE, PCB SIZE AND OTHER MOUNTED COMPONENTS COULD AFFECT THE PROFILE. THEREFORE, A THOROUGH EVALUATION OF MOUNTING CONDITION IS REQUIRED PRIOR TO PRODUCTION. TEMPERATURE IS MEASURED AT CONTACT LEAD.

NOTE 4. 1 REEL : 1000 CONNECTORS
 5 REEL TO JIS C 0806. (PACKAGING OF COMPONENTS FOR AUTOMATIC HANDLING)
 6. THE DIMENSIONS IN PARENTHESES ARE FOR REFERENCE.

HRS	DRAWING NO.	EDC3-329660-01
	PART NO.	DF50A-5P-1V(51)
	CODE NO.	CL665-1008-2-51
		△ 2/2