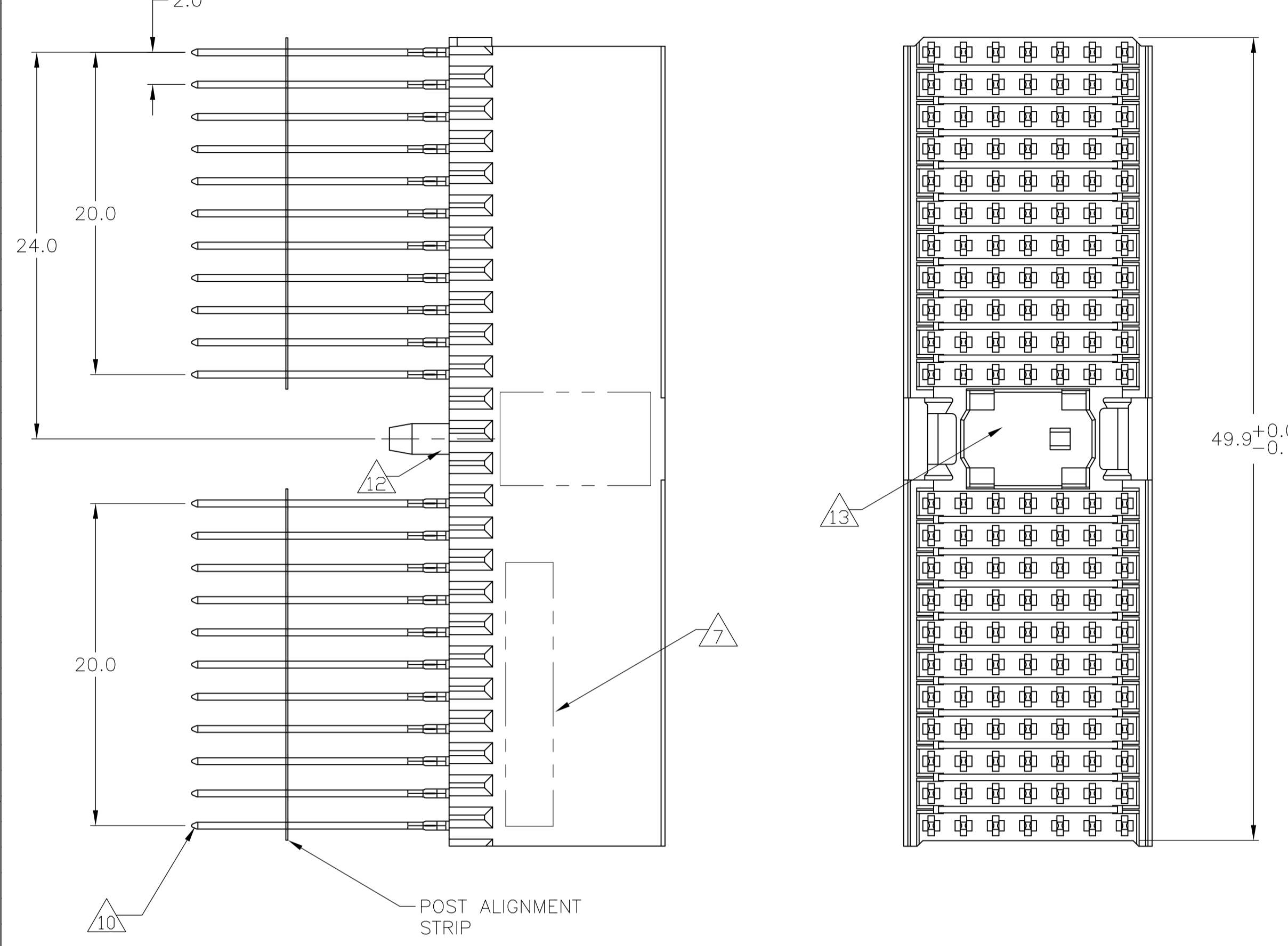
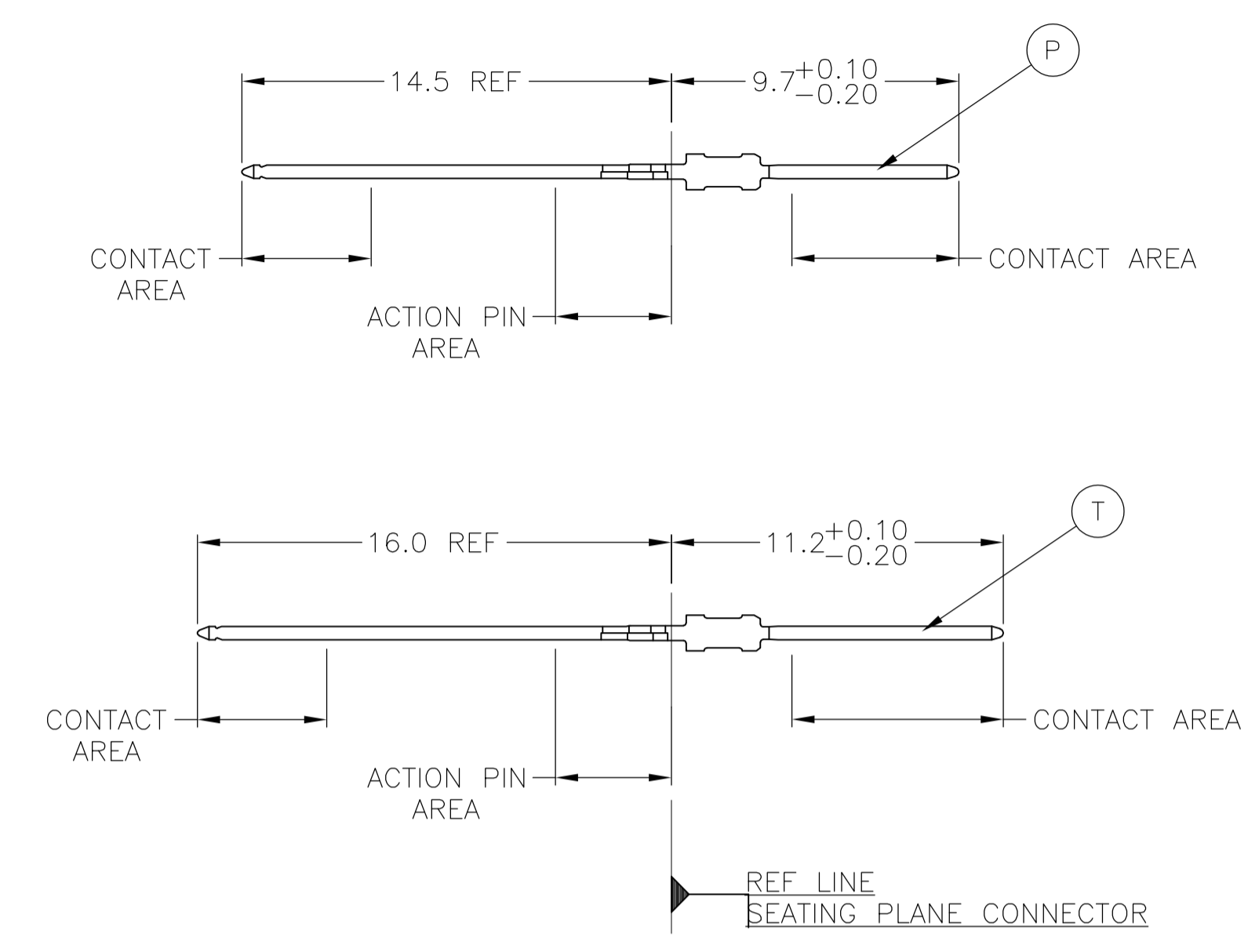


LOC		DIST		REVISIONS			
P	LTR	DESCRIPTION	DATE	DMN	APVD		
A		REV PER EC 0512-0306-05	24MAY06	BC	GS		
A1		REVISED PER ECO-10-000444	16JAN10	KK	AEQ		
B		ECR-10-019054	15SEP10	DP	MQW		

CONNECTOR ASSEMBLY EXAMPLARY LOADED

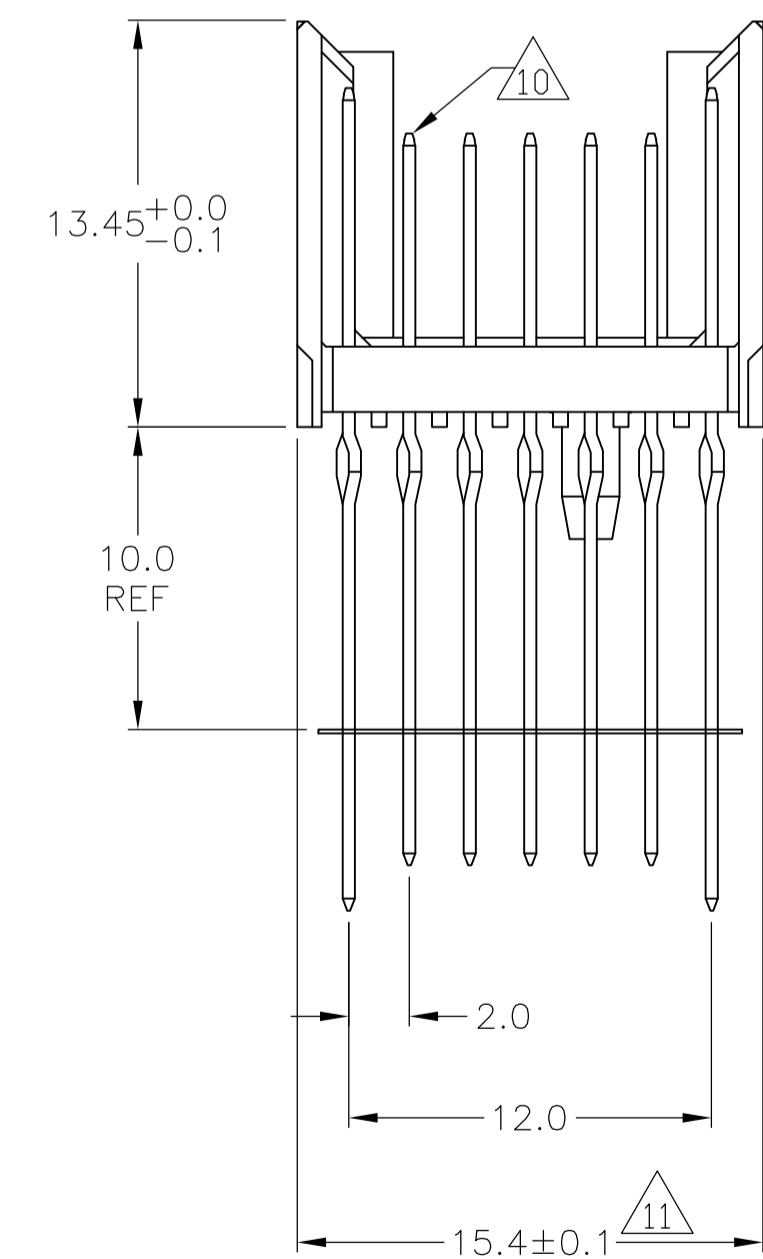


CONTACT DIMENSIONS SCALE 5:1



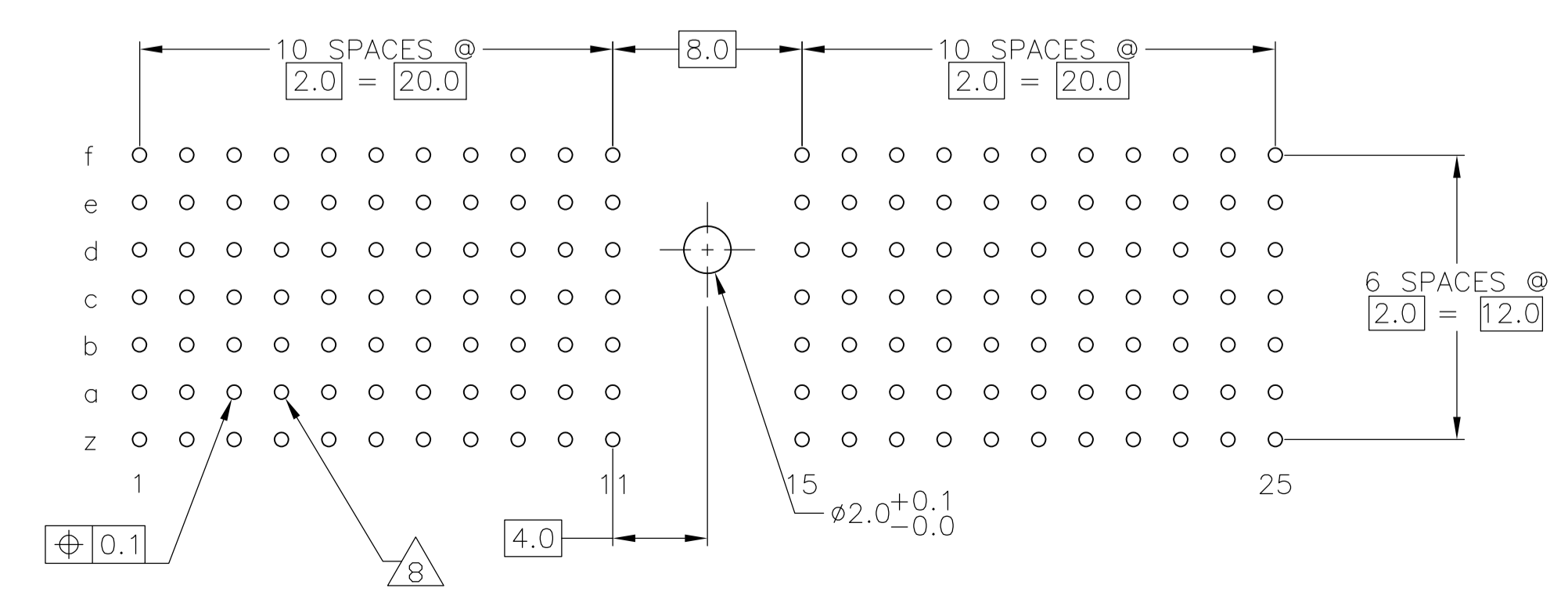
CONTACT LAYOUT

	z	a	b	c	d	e	f
1	T	P	P	P	P	P	T
2	T	P	P	P	P	P	T
3	T	P	P	P	P	P	T
4	T	P	P	P	P	P	T
5	T	P	P	P	P	P	T
6	T	P	P	P	P	P	T
7	T	P	P	P	P	P	T
8	T	P	P	P	P	P	T
9	T	P	P	P	P	P	T
10	T	P	P	P	P	P	T
11	T	P	P	P	P	P	T
MULTI PURPOSE CENTER							
15	T	P	P	P	P	P	T
16	T	P	P	P	P	P	T
17	T	P	P	P	P	P	T
18	T	P	P	P	P	P	T
19	T	P	P	P	P	P	T
20	T	P	P	P	P	P	T
21	T	P	P	P	P	P	T
22	T	P	P	P	P	P	T
23	T	P	P	P	P	P	T
24	T	P	P	P	P	P	T
25	T	P	P	P	P	P	T



RECOMMENDED PCB-HOLE LAYOUT COMPONENT SIDE SHOWN

PLATED THRU HOLES PARAMETERS REFERENCE APPLICATION SPECIFICATION



OBSOLETE	2 6 14	1-5188578-9
	2 5 14	-5188578-9-
	2 4	5188578-4
	2 3	5188578-1
FINISH		PART NUMBER

THIS DRAWING IS A CONTROLLED DOCUMENT.

DIMENSIONS: mm	TOLERANCES UNLESS OTHERWISE SPECIFIED:	DIN B CARBO 04MAY05	Tyco Electronics Corporation Harrisburg, Pa 17105-3608
0-PLC ±	±0.2	DMN G.SKIPPER 04MAY05	NAME MALE ASSEMBLY, Z-PACK 2mm HM, TYPE A
1-PLC ±		APVD G.SKIPPER 04MAY05	PRODUCT SPEC 108-19082
2-PLC ±			APPLICATION SPEC 114-19029
3-PLC ±			SIZE 114-19029
4-PLC ±			WEIGHT
ANGLES	SEE TABLE		CUSTOMER DRAWING

SCALE 4:1 SHEET 1 OF 2 REV B

LOC		DIST		REVISIONS			
P	LTR	DESCRIPTION	DATE	DN	APVD		
AD	00	SEE SHEET 1	-	-	-		

- 1 MATERIAL:
CONTACT: PHOSPHOR BRONZE.
HOUSING: GLASS-FILLED POLYESTER.
- 2 GENERAL PLATING SPECIFICATION: UNDERPLATING
(ENTIRE CONTACT): 1.27µm MIN NICKEL AND ACTION
PIN: 0.5µm MIN TIN.
FOR PLATING OF MATING SURFACES SEE APPLICABLE
SPECIFICATION REFERENCE FOR EACH DASH NUMBER.
- 3 CONFORMS TO ALL TESTING ACCORDING TO IEC 61076-4-101
PERFORMANCE LEVEL 2.
- 4 CONFORMS TO ALL TESTING ACCORDING TO IEC 61076-4-101
PERFORMANCE LEVEL 1.
- 5 CONNECTOR TESTED AND QUALIFIED AGAINST TELCORDIA GR-1217-CORE QUALITY LEVEL 3,
CENTRAL OFFICE APPLICATIONS.
- 6 CONNECTOR TESTED AND QUALIFIED AGAINST TELCORDIA GR-1217-CORE QUALITY LEVEL 3,
UNCONTROLLED ENVIROMENT APPLICATIONS.
- 7 CONNECTOR MARKED WITH PART NUMBER AND DATE CODE.
ADDITIONAL CHARACTERS OR MARKINGS, AS WELL AS THE LOCATION OF THE MARKINGS,
MAY BE ADDED FOR TRACEABILITY BASED UPON MANUFACTURERS DISCRETION.
- 8 PLATED-THROUGH HOLES AT 2x2mm SQUARE GRID
PATTERN DEFINED BY CONTACT LAYOUT.
- 9 FOR ACTUAL PIN LOADING SEE "CONTACT LAYOUT".
- 10 FOR ACTUAL PIN DIMENSIONS SEE "CONTACT DIMENSIONS".
- 11 TO BE MEASURED AT BOTTOM OF SHROUD.
- 12 POLARIZATION FEATURE.
- 13 AREA RESERVED FOR KEYING PART (BASIC P/N 100525)
- 14 CONNECTOR LUBRICATED WITH BELCORE APPROVED LUBRICANT,
TECHNICAL REFERENCE: TR-NWT-001217 ISSUE 1, SEP 1992.
- 15 OBSOLETE PARTS: OBSOLETE CIS STREAMLINING PER D.RENAUD/D.SINISI

THIS DRAWING IS A CONTROLLED DOCUMENT.		DIN B CARBO 04MAY05		Tyco Electronics Corporation Harrisburg, Pa 17105-3608	
DIMENSIONS: mm		TOLERANCES UNLESS OTHERWISE SPECIFIED: 0-PLC ± 1-PLC ±0.1 2-PLC ± 3-PLC ± 4-PLC ± ANGLES		Tyco Electronics	
		APVD G SKIPPER 04MAY05		NAME MALE ASSEMBLY, Z-PACK 2mm HM, TYPE A	
MATERIAL SEE SHEET 1		FINISH SEE SHEET 1		PRODUCT SPEC 108-19082	
		APPLICATION SPEC 114-19029		RESTRICTED TO	
		WEIGHT		SIZE CAGE CODE DRAWING NO A1 00779 C=5188578	
		CUSTOMER DRAWING		SCALE 4:1 SHEET 2 OF 2 REV B	