

REV. Status

REVISION - 07/23/96 TS
REVISION A REFORMATTED 07/14/97 TS
REVISION B CHANGED A.7. 08/23/99 TS
REVISION C ADDED RoHS 01/10/06 MP
REVISION D SAFETY UPDATED. FUSE INFO ADDED. 6-25-09 MP
REVISION E REMOVED TEMECULA CA 11-22-19 MP

THREE FLANGE DUAL PRIMARY 6.0VA PC BOARD POWER TRANSFORMER

A. Electrical Specifications (@ 25°C)

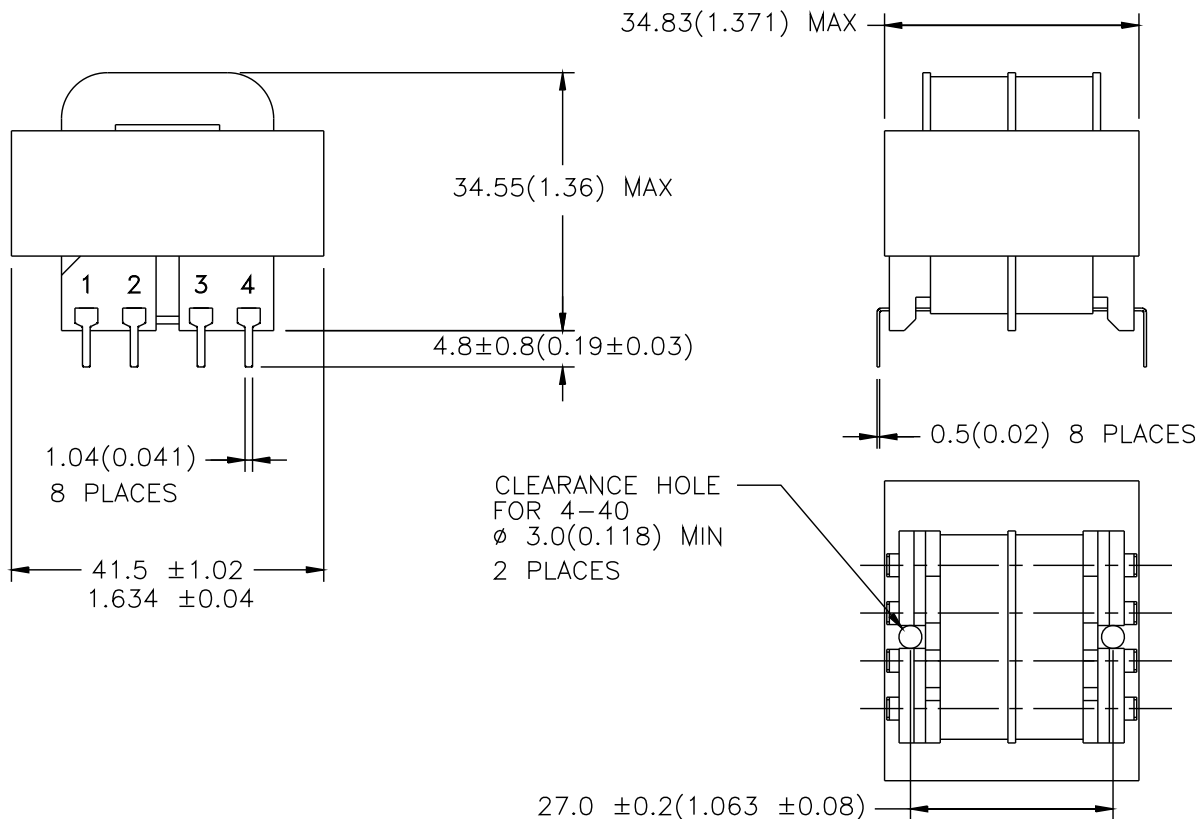
1. Maximum Power: 6.0 VA.
2. Input Voltage and Frequency: 115V/230V 50/60 Hz.
3. Secondary Voltage: See Table A.
4. Voltage Regulation: 18% TYP @ full load to no load.
5. Temperature Rise: 35°C TYP (45°C MAX allowed).
6. Insulation Resistance:
100 MΩ MIN @ 500VDC, Pri to Sec, Pri to Core.
100 MΩ MIN @ 500VDC, Sec to Core.
7. Hi-Pot: 2500 Vrms 1 minute @ Pri to Sec.
1500 Vrms 1 minute @ Pri to Core.
1500 Vrms 1 minute @ Sec to Core.
500 Vrms 1 minute @ Sec to Sec.

B. Marking: TAMURA, Tamura part number (see sheet 2), MICROTRAN, Microtran part number (see sheet 2), date code, country of origin, safety logos and input and output ratings.

C. Safety:

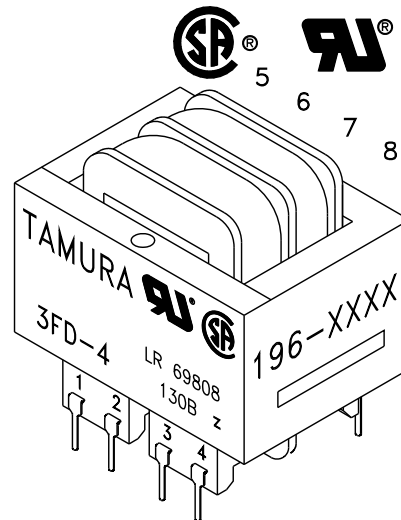
Insulation Class B (130°C) File No. E92957.
CSA 22.2 No. 66-1988, File No. 069808.
UL 1585, Class 2 or 3, Noninherently limited,
File No. E95844.
UL 506, General Purpose, File No. E91239.

D. Mechanical Specifications:



MODEL NUMBER

3FD-4XX & PSD4-XX



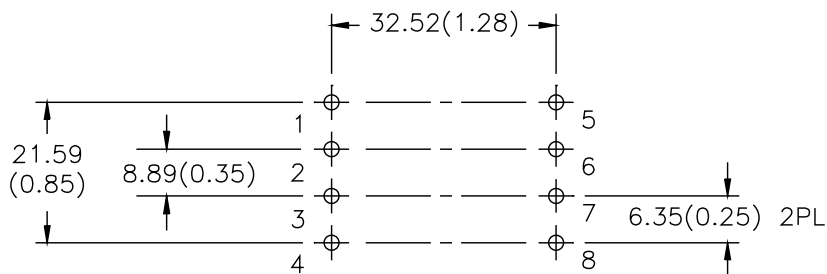
PREPARED BY:
C. POPPE

ENGINEER: M. PITCHAI	DRAWING CONTROL NO. P-A1-11163-1	REV E	MODEL DESCRIPTION SIZE 4 3FD & PSD FAMILY POWER TRANSFORMER	MODEL SPECIFICATION 3FD-4XX & PSD4-XX
SAFETY ENGINEER	CONTENTS OF THIS DRAWING ARE SUBJECT TO CHANGE WITHOUT PRIOR NOTICE		TAMURA CORPORATION OF AMERICA 1040 SOUTH ANDREASEN DRIVE, #100 ESCONDIDO, CA. 92029 (760) 871-2009	DIM: mm[In] SCL: NONE Sh: 1 OF 2
APPROVED: M. PITCHAI	PROPRIETARY NOTICE: THIS DRAWING PRINT OR DOCUMENT AND SUBJECT MATTER DISCLOSED HEREIN ARE PROPRIETARY ITEMS TO WHICH TAMURA RETAINS THE EXCLUSIVE RIGHT OF DISSEMINATION, REPRODUCTION, MANUFACTURE AND SALE. THIS DRAWING, PRINT OR DOCUMENT IS SUBMITTED IN CONFIDENCE FOR CONSIDERATION BY THE RECIPIENT ALONE UNLESS PERMISSION FOR FURTHER DISCLOSURE IS EXPRESSLY GRANTED IN WRITING.			

REV. Status

SEE SHEET
1 OF 2 FOR
REVISION
HISTORY

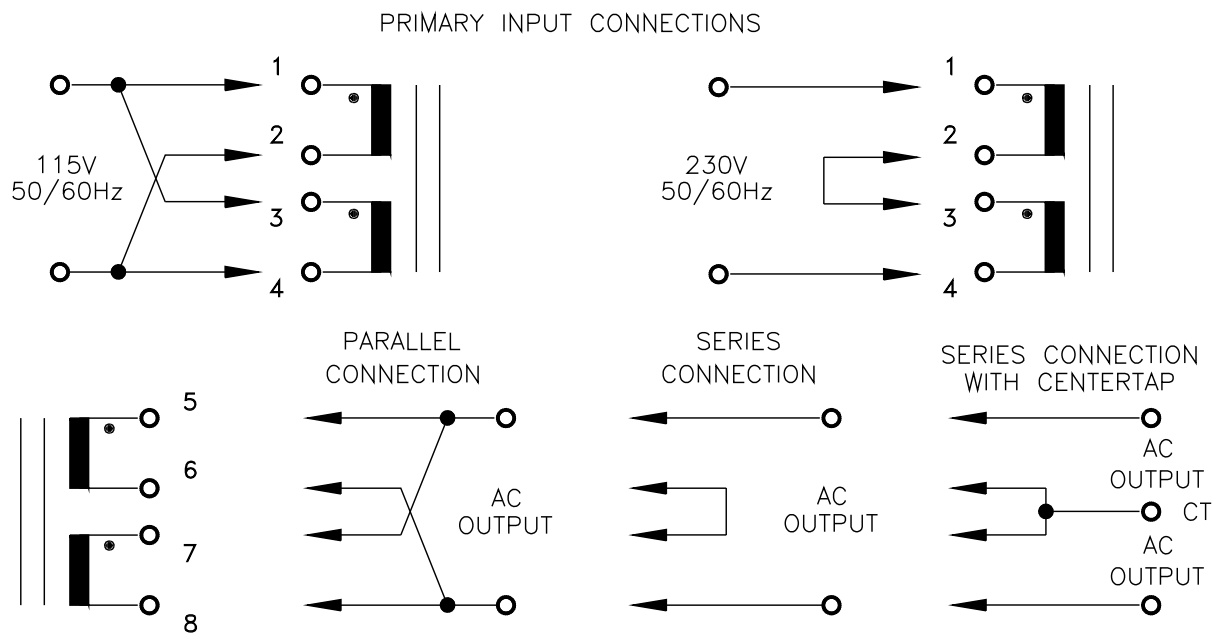
E. Mounting Footprint:



MODEL NUMBER

3FD-4XX & PSD4-XX

F. Connection Diagram:



*not UL – recognized for series connect.

G. Table A: (NOTE: All parts are dual marked with both part numbers)

UL APPROVED FUSE

TAMURA P/N	MICROTRAN PART NO.	PARALLEL		SERIES		SERIES WITH CT		SECONDARY FUSE REQUIRED EACH WINDING
		AC VOLTS	RMS AMPS	AC VOLTS	RMS AMPS	AC VOLTS	RMS AMPS	
3FD-410	PSD4-10	5.0	1.20	10.0	0.60	5.0-CT-5.0	0.60	0.75A
3FD-412	PSD4-12	6.3	1.00	12.6	0.50	6.3-CT-6.3	0.50	0.63A
3FD-416	PSD4-16	8.0	0.80	16.0	0.40	8.0-CT-8.0	0.40	0.5A
3FD-420	PSD4-20	10.0	0.60	20.0	0.30	10.0-CT-10.0	0.30	0.4A
3FD-424	PSD4-24	12.0	0.50	24.0	0.25	12.0-CT-12.0	0.25	0.315A
3FD-428	PSD4-28	14.0	0.40	28.0	0.20	14.0-CT-14.0	0.20	0.25A
3FD-436	PSD4-36	18.0	0.34	36.0	0.17	18.0-CT-18.0	0.17	0.2A
3FD-448	PSD4-48	24.0	0.25	48.0	0.125	24.0-CT-24.0	0.125	0.15A
3FD-456	PSD4-56	28.0	0.22	56.0	0.11	28.0-CT-28.0	0.11	0.15A
3FD-4120	PSD4-120	60.0	0.10	120.0*	0.05	60.0-CT-60.0	0.05	N/A

PREPARED BY:

C. POPPE

ENGINEER:

M. PITCHAI

SAFETY ENGINEER

DRAWING CONTROL NO.

P-A1-11163

REV

E

MODEL DESCRIPTION
SIZE 4 3FD & PSD FAMILY
POWER TRANSFORMER

TAMURA CORPORATION OF AMERICA
1040 SOUTH ANDREASEN DRIVE, #100 ESCONDIDO, CA. 92029
(760) 871-2009

MODEL SPECIFICATION

3FD-4XX & PSD4-XX

DIM: mm[In] SCL: NONE Sh: 2 OF 2

APPROVED:

M. PITCHAI

PROPRIETARY NOTICE: THIS DRAWING PRINT OR DOCUMENT AND SUBJECT MATTER DISCLOSED HEREIN ARE PROPRIETARY ITEMS TO WHICH TAMURA RETAINS THE EXCLUSIVE RIGHT OF DISSEMINATION, REPRODUCTION, MANUFACTURE AND SALE. THIS DRAWING, PRINT OR DOCUMENT IS SUBMITTED IN CONFIDENCE FOR CONSIDERATION BY THE RECIPIENT ALONE UNLESS PERMISSION FOR FURTHER DISCLOSURE IS EXPRESSLY GRANTED IN WRITING.