

THIS DRAWING IS UNPUBLISHED. RELEASED FOR PUBLICATION 2005
 © COPYRIGHT 2005 BY TYCO ELECTRONICS CORPORATION. ALL RIGHTS RESERVED.

LOC	DIST	REVISIONS					
		P	LTR	DESCRIPTION	DATE	DWN	APVD
A1	-						

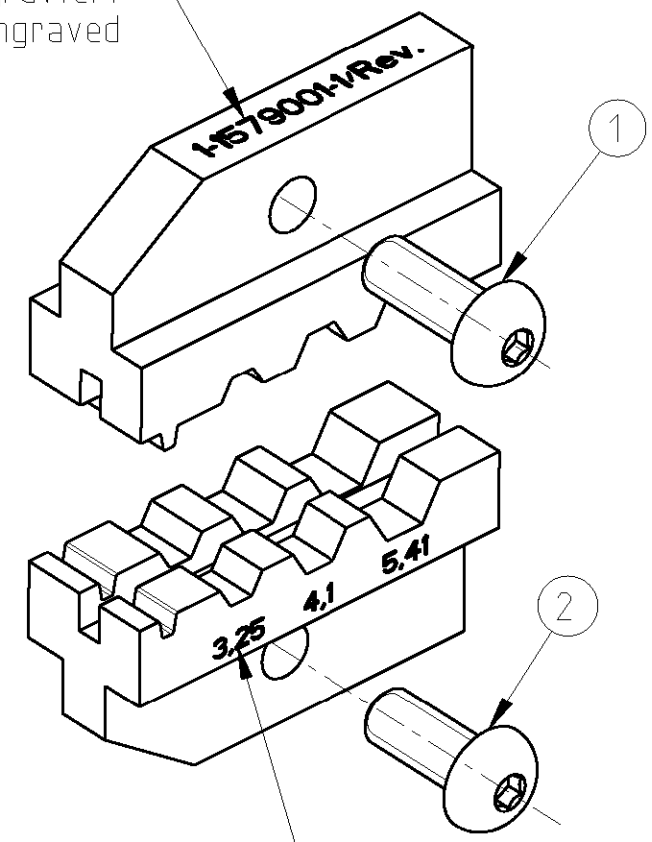
Matrize in Kombination mit Ergocrimp Basishandzange PN 539635-1 verwenden
 Use die in combination with Ergocrimp basis hand tool PN 539635-1

Matrize im Karton mit Bedienungsanleitung 411-18272 verpackt
 Die packed in a cardboard with instruction sheet 411-18272

1-1579001-1	1	3-0744010-2	Instruction sheet	Bedienungsanleitung	3
	1	0-0519151-9	Screw M4x10	Schraube M4x10	2
	1	8-0539634-5	Screw M4x11	Schraube M4x11	1
Die Set	QTY Stck	PN	Description	Benennung	Pos.

Kontakt	Hex (mm)	Betriebsanl.
Contact	Hex (mm)	Instr.Sheet
1488147 / 1488155	3.25	411-18272
1488171 / 1488175	4.1	
829922	5.41	

PN mit Revisionsstand eingraviert
 PN with revision record engraved



Hexagonal Crimpgroesse eingraviert
 Hexagonal crimp sizes engraved

Verarbeitung der Fakra Kontakte nach Verarbeitungsspezifikation 114-18622
 Processing of the Fakra contacts according to application specification 114-18622

<small>THIS DRAWING IS A CONTROLLED DOCUMENT FOR TYCO ELECTRONICS CORPORATION IT IS SUBJECT TO CHANGE AND THE CONTROLLING ENGINEERING ORGANIZATION SHOULD BE CONTACTED FOR THE LATEST REVISION.</small>		DWN Ch.Witt 05MAY2006 CHK - APVD - PRODUCT SPEC - APPLICATION SPEC - WEIGHT 190 g		tyco Electronics tyco Electronics AMP GmbH D - 64625 Bensheim	
DIMENSIONS: mm 		TOLERANCES UNLESS OTHERWISE SPECIFIED: 0 PLC ± 1 PLC ± 2 PLC ± 3 PLC ± 4 PLC ± ANGLES ±1°		NAME ERGOCRIMP HEXAGONAL 3,25 - 4,1 - 5,41 Ergocrimp Matrize 3,25 - 4,1 - 5,41	
MATERIAL - FINISH -		SIZE A3 CAGE CODE 00779 DRAWING NO C=1-1579001-1		RESTRICTED TO -	
CUSTOMER DRAWING				SCALE 2:1 SHEET 1 OF 1 REV A	