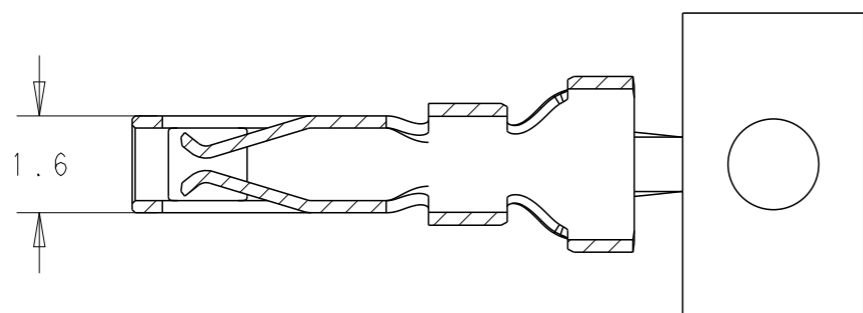
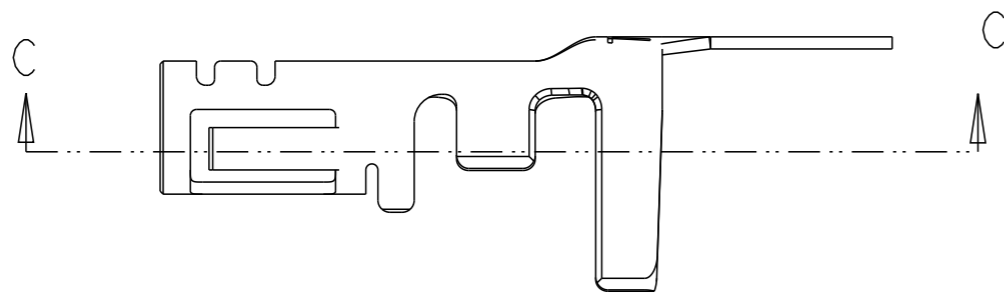


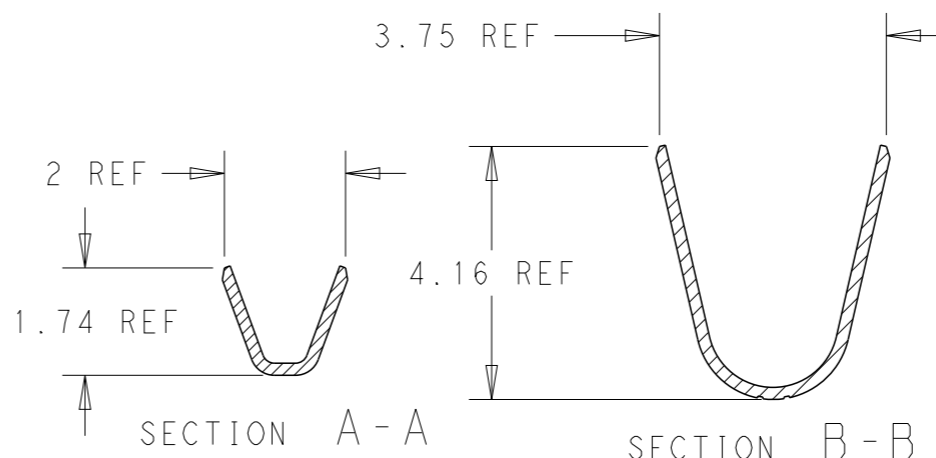
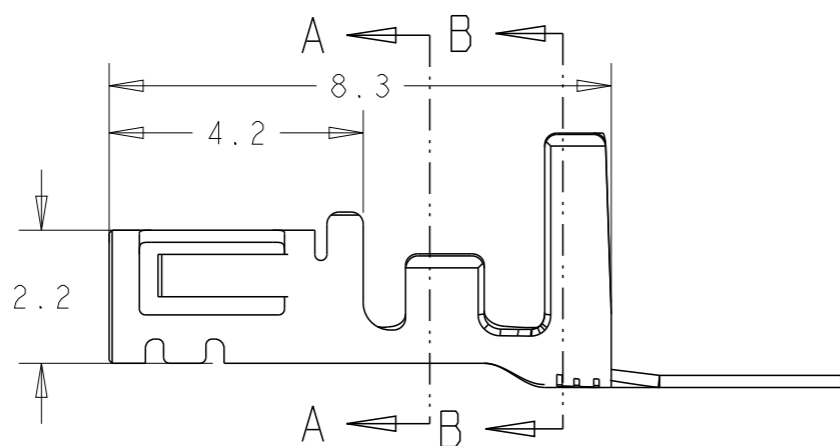
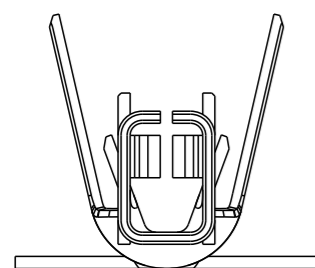
LOC		DIST		REVISIONS			
P	LTR	DESCRIPTION	DATE	DWN	APVD		
	B	REVISED PER ECR-21-104980	14JUN2021	SC	D.Z		



SECTION C-C

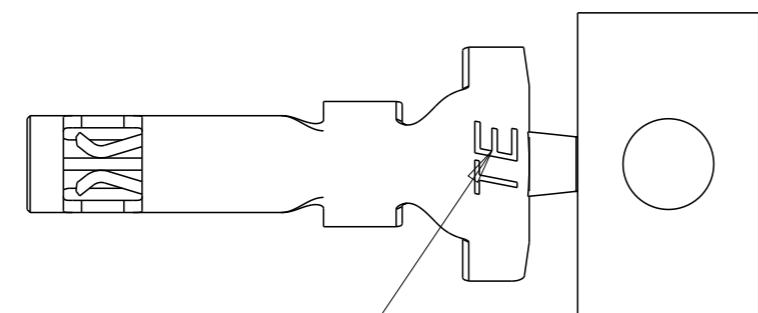
NOTES:

- 1. MATERIAL: PRE-TIN COPPER ALLOY
- 2. APPLICABLE WIRE: AWG #20-#24, INSULATION DIAØ 1.5-2.5MM
- 3. MATING PLUG HOUSING: *-1971905-*



SECTION A-A

SECTION B-B



TRADE MARK

P/N 1983780-1

THIS DRAWING IS A CONTROLLED DOCUMENT.

DIMENSIONS: mm	TOLERANCES UNLESS OTHERWISE SPECIFIED:
	0 PLC ±-
	1 PLC ±0.3
	2 PLC ±0.1
	3 PLC ±0.001
	4 PLC ±0.0001
	ANGLES ±-
MATERIAL SEE NOTE	FINISH -

DWN	LZH	22-Jun-21
CHK	HAPYE.WU	22-Jun-21
APVD	YH.MAO	22-Jun-21
PRODUCT SPEC	108-106094	
APPLICATION SPEC	114-106094	
WEIGHT	-	

TE Connectivity				NAME	
				NEXT GENERATION G13.3 RECEPTACLE CONTACT	
SIZE	CAGE CODE	DRAWING NO	RESTRICTED TO		
A3	00779	©-1983780	-		