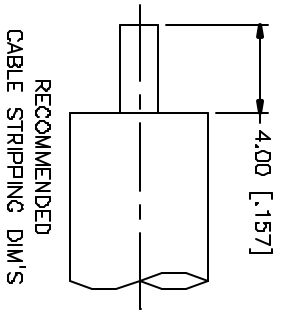
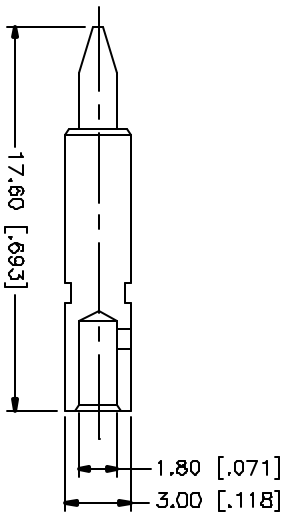
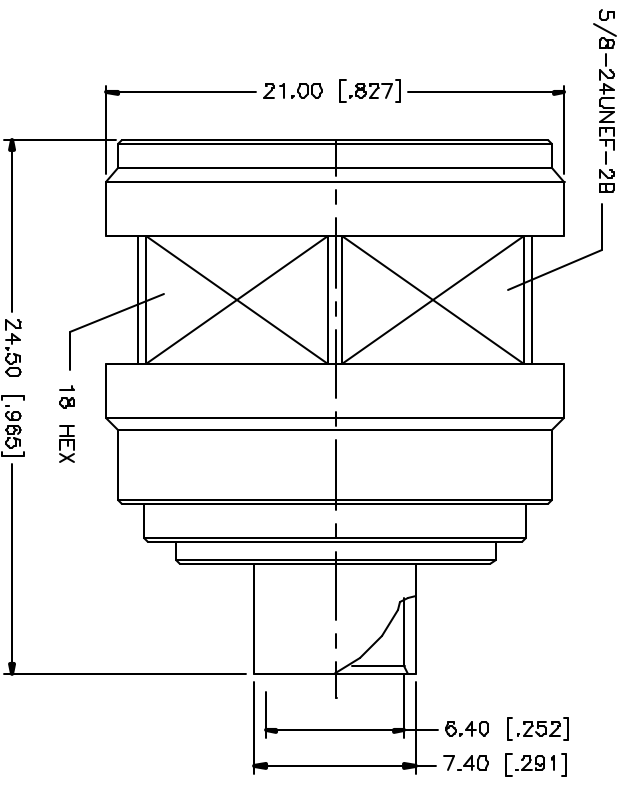


REV.	DATE	DESCRIPTION
NC	03/27/05	INITIAL RELEASE



NOTE:
 1. CRIMPED CONTACT PIN
 HEX CRIMP SIZE .100"
 OR SOLDER

REV	DESCRIPTION	MATERIAL	FINISH	QTY	UNIT PRICE	TOTAL PRICE
B						
7						
6						
5						
4	CONTACT PIN	BRASS	GOLD	1		
3	INSULATOR	TEFLON	NATURAL	1		
2	BARREL	BRASS	GOLD	1		
1	BODY	BRASS	NEXCOTE	1		
	DESCRIPTION	MATERIAL	FINISH	QTY		

UNLESS OTHERWISE SPECIFIED, DIMENSIONS ARE IN MILLIMETERS. DIMENSIONS IN [] ARE IN INCHES AND FOR CLARITY ONLY.	
TOLERANCES FOR MILLIMETERS:	
A - .31mm ± 0.20mm	B - .31mm ± 0.40mm
C - .127mm ± 0.150mm	D - .127mm ± 0.150mm
UNLESS OTHERWISE SPECIFIED, DIMENSIONS FOR INCHES ARE:	
.020 - .315 = ± 0.007"	.315 - 1.180 = ± 0.015"
1.180 - 4.774 = ± 0.020"	

APPROVALS	DATE
DRAWN G.R.S.	03/27/05
CHECKED	
ISSUED	
SHEET 1 OF 1	

CAD FILE	
C:/172/172139-11.DWG	

DWG. NO.	REV. NO.	REV.	SIZE	SCALE
172139-11.DWG	NC	A	NA	

Amphenol Connex	
N DIRECT SOLDER PLUG (.250" SEMI-RIGID CABLE)	
PART NO.	172139-11