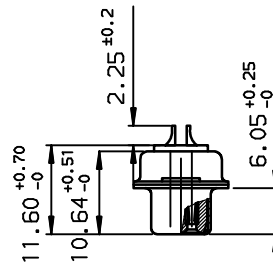
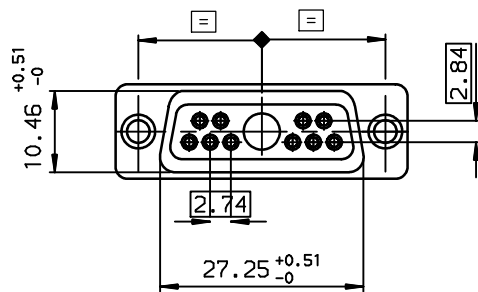
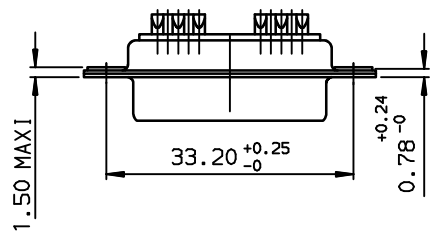
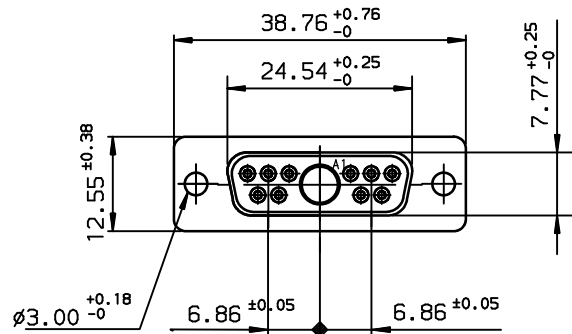




Copyright FCI.



TIN LEAD PART NUMBER

DA11W1SA00
PART NUMBER

LEAD FREE PART NUMBER

DA11W1SA00LF
PART NUMBER

GENERAL CHARACTERISTICS AND ROHS INFORMATIONS:  
SEE DRAWING C01-8639-0003

European Views

www.fciconnect.com		surface ISO 1302 ✓	tolerance std ISO 406 ISO 1101	projection 	mm ↔
TOLERANCES UNLESS OTHERWISE SPECIFIED					
Dr	JOUBERT	1998/01/08	ANGULAR	0.x ±0.1	size A3
Eng	PESSON	1998/01/08	LINEAR	0.xx ±0.1	Scale 2
Chr	LEGARE	1998/01/08	0.xx* ±2*	0.xxx ±0.1	ECN LS06-0095
Appr	LEGARE	1998/01/08	Product family	D-SUB	Spec ref -
FCI			title SOCKET CONNECTOR FOR POWER CONTACT.		Rev. D
catalog no			-		012 C01-8639-0703
			CUSTOMER		sheet 1 of 1

rev	ecn no	dr	date
B	-	DEB	2003/10/21
C	LS05-005	MPE	2005/03/16
D	LS06-0095	LGO	2006/07/20
-	-	-	-
-	-	-	-
-	-	-	-