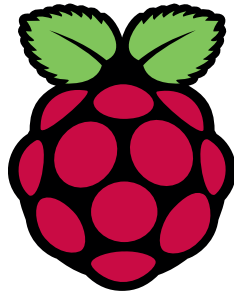


DATASHEET



CM1, CM3 and CM3L are supported products with EOL dates no earlier than January 2026. For customers embarking on new designs, Raspberry Pi recommends using the newer Compute Module 3+, which offers improved thermal performance, and a wider range of Flash memory options.

Raspberry Pi Compute Module (CM1)

Raspberry Pi Compute Module 3 (CM3)

Raspberry Pi Compute Module 3 Lite (CM3L)

Release 4, August 2021

Copyright 2016-2019 Raspberry Pi (Trading) Ltd. All rights reserved.



Table 1: Release History

Release	Date	Description
1	13/10/2016	First release
2	13/06/2018	- Add entry for VDD_IO=3.3V to Table 5 - Document version changed to sequential release numbers (original doc 'Version 1.0' changed to Release 1, this version = Release 2 etc.) - ARM ISA for CM3/3L corrected from ARMv7 to ARMv8
3	25/01/2019	- CM1/CM3/CM3L move to legacy status (not recommended for new designs) - Correct small typo in Table 4: GPIO28-45 I/O Supply Voltage
4	04/08/2021	- CM1/CM3/CM3L clarification of legacy status. Earliest EOL date now 2026

The latest release of this document can be found at <https://www.raspberrypi.org>



Contents

1	Introduction	5
2	Features	6
2.1	Hardware	6
2.2	Peripherals	6
2.3	Software	6
3	Block Diagram	7
4	Mechanical Specification	9
5	Pin Assignments	11
6	Electrical Specification	13
7	Power Supplies	15
7.1	Supply Sequencing	15
7.2	Power Requirements	16
8	Booting	16
9	Peripherals	17
9.1	GPIO	17
9.1.1	GPIO Alternate Functions	18
9.1.2	Secondary Memory Interface (SMI)	19
9.1.3	Display Parallel Interface (DPI)	19
9.1.4	SD/SDIO Interface	20
9.2	CSI (MIPI Serial Camera)	20
9.3	DSI (MIPI Serial Display)	20
9.4	USB	20
9.5	HDMI	20
9.6	Composite (TV Out)	21
10	Thermals	21
10.1	Temperature Range	21
11	Availability	21
12	Support	21



List of Figures

1	CM1 Block Diagram	7
2	CM3/CM3L Block Diagram	8
3	CM1 Mechanical Dimensions	9
4	CM3 and CM3L Mechanical Dimensions	10
5	Digital IO Characteristics	15



List of Tables

1	Release History	1
2	Compute Module SODIMM Connector Pinout	11
3	Pin Functions	12
4	Absolute Maximum Ratings	13
5	DC Characteristics	14
6	Digital I/O Pin AC Characteristics	14
7	Power Supply Operating Ranges	15
8	Mimimum Power Supply Requirements	16
9	GPIO Bank0 Alternate Functions	18
10	GPIO Bank1 Alternate Functions	19



1 Introduction

Please note that CM1/CM3/CM3L are now classed as legacy products and not recommended for new designs. For new designs please use Compute Module 3+ / Compute Module 3+ Lite, which are electrically identical and largely physically compatible with CM3/CM3L. For more information see the Compute Module 3+ Datasheet available at www.raspberrypi.org

The Raspberry Pi Compute Module (CM1), Compute Module 3 (CM3) and Compute Module 3 Lite (CM3L) are DDR2-SODIMM-mechanically-compatible System on Modules (SoMs) containing processor, memory, eMMC Flash (for CM1 and CM3) and supporting power circuitry. These modules allow a designer to leverage the Raspberry Pi hardware and software stack in their own custom systems and form factors. In addition these module have extra IO interfaces over and above what is available on the Raspberry Pi model A/B boards opening up more options for the designer.

The CM1 contains a BCM2835 processor (as used on the original Raspberry Pi and Raspberry Pi B+ models), 512MByte LPDDR2 RAM and 4Gbytes eMMC Flash. The CM3 contains a BCM2837 processor (as used on the Raspberry Pi 3), 1Gbyte LPDDR2 RAM and 4Gbytes eMMC Flash. Finally the CM3L product is the same as CM3 except the eMMC Flash is not fitted, and the SD/eMMC interface pins are available for the user to connect their own SD/eMMC device.

Note that the BCM2837 processor is an evolution of the BCM2835 processor. The only real differences are that the BCM2837 can address more RAM (up to 1Gbyte) and the ARM CPU complex has been upgraded from a single core ARM11 in BCM2835 to a Quad core Cortex A53 with dedicated 512Kbyte L2 cache in BCM2837. All IO interfaces and peripherals stay the same and hence the two chips are largely software and hardware compatible.

The pinout of CM1 and CM3 are identical. Apart from the CPU upgrade and increase in RAM the other significant hardware differences to be aware of are that CM3 has grown from 30mm to 31mm in height, the VBAT supply can now draw significantly more power under heavy CPU load, and the HDMI_HPD_N_1V8 (GPIO46_1V8 on CM1) and EMMC_EN_N_1V8 (GPIO47_1V8 on CM1) are now driven from an IO expander rather than the processor. If a designer of a CM1 product has a suitably specified VBAT, can accomodate the extra 1mm module height increase and has followed the design rules with respect to GPIO46_1V8 and GPIO47_1V8 then a CM3 should work fine in a board designed for a CM1.



2 Features

2.1 Hardware

- Low cost
- Low power
- High availability
- High reliability
 - Tested over millions of Raspberry Pis Produced to date
 - Module IO pins have 35u hard gold plating

2.2 Peripherals

- 48x GPIO
- 2x I2C
- 2x SPI
- 2x UART
- 2x SD/SDIO
- 1x HDMI 1.3a
- 1x USB2 HOST/OTG
- 1x DPI (Parallel RGB Display)
- 1x NAND interface (SMI)
- 1x 4-lane CSI Camera Interface (up to 1Gbps per lane)
- 1x 2-lane CSI Camera Interface (up to 1Gbps per lane)
- 1x 4-lane DSI Display Interface (up to 1Gbps per lane)
- 1x 2-lane DSI Display Interface (up to 1Gbps per lane)

2.3 Software

- ARMv6 (CM1) or ARMv8 (CM3, CM3L) Instruction Set
- Mature and stable Linux software stack
 - Latest Linux Kernel support
 - Many drivers upstreamed
 - Stable and well supported userland
 - Full availability of GPU functions using standard APIs



3 Block Diagram

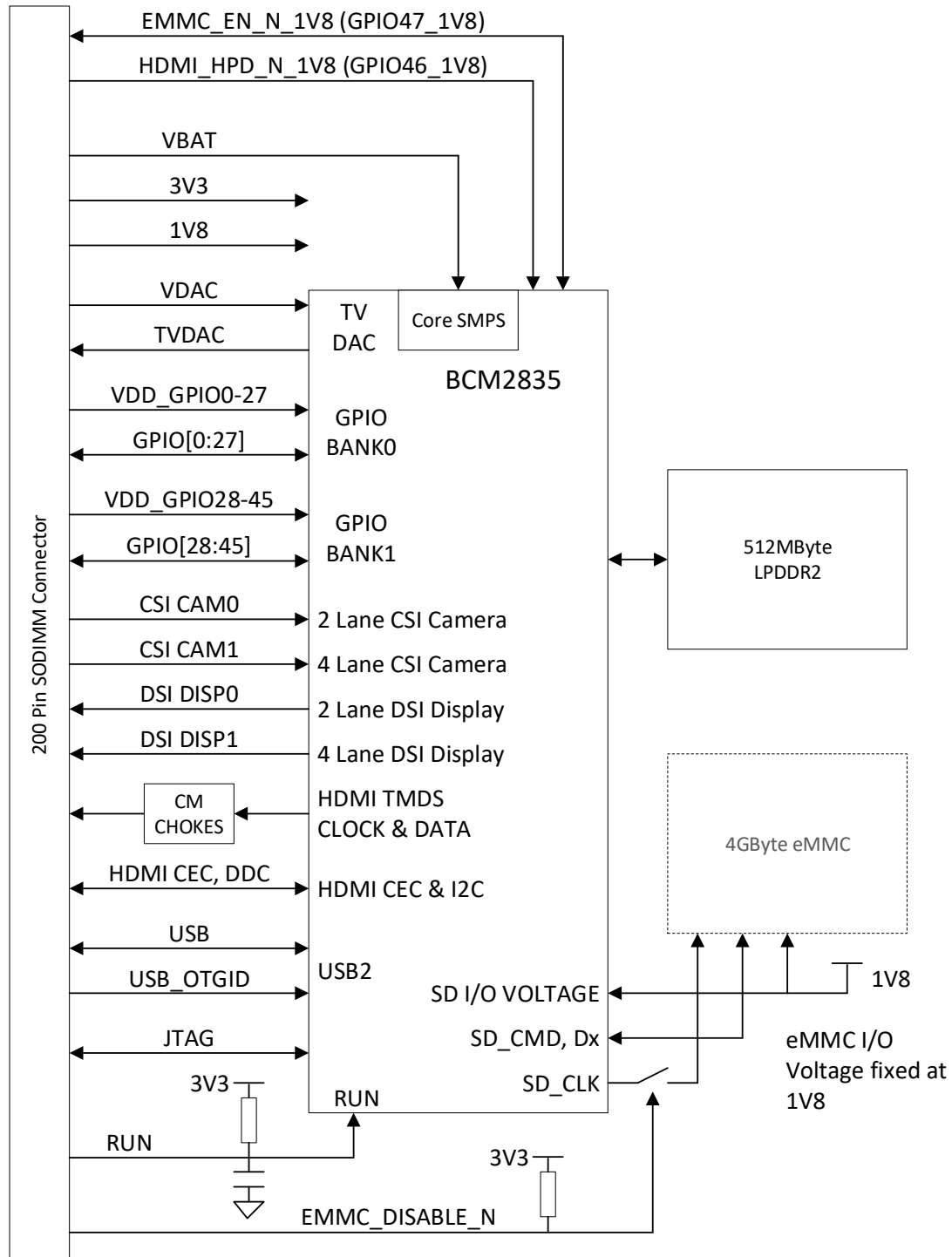


Figure 1: CM1 Block Diagram

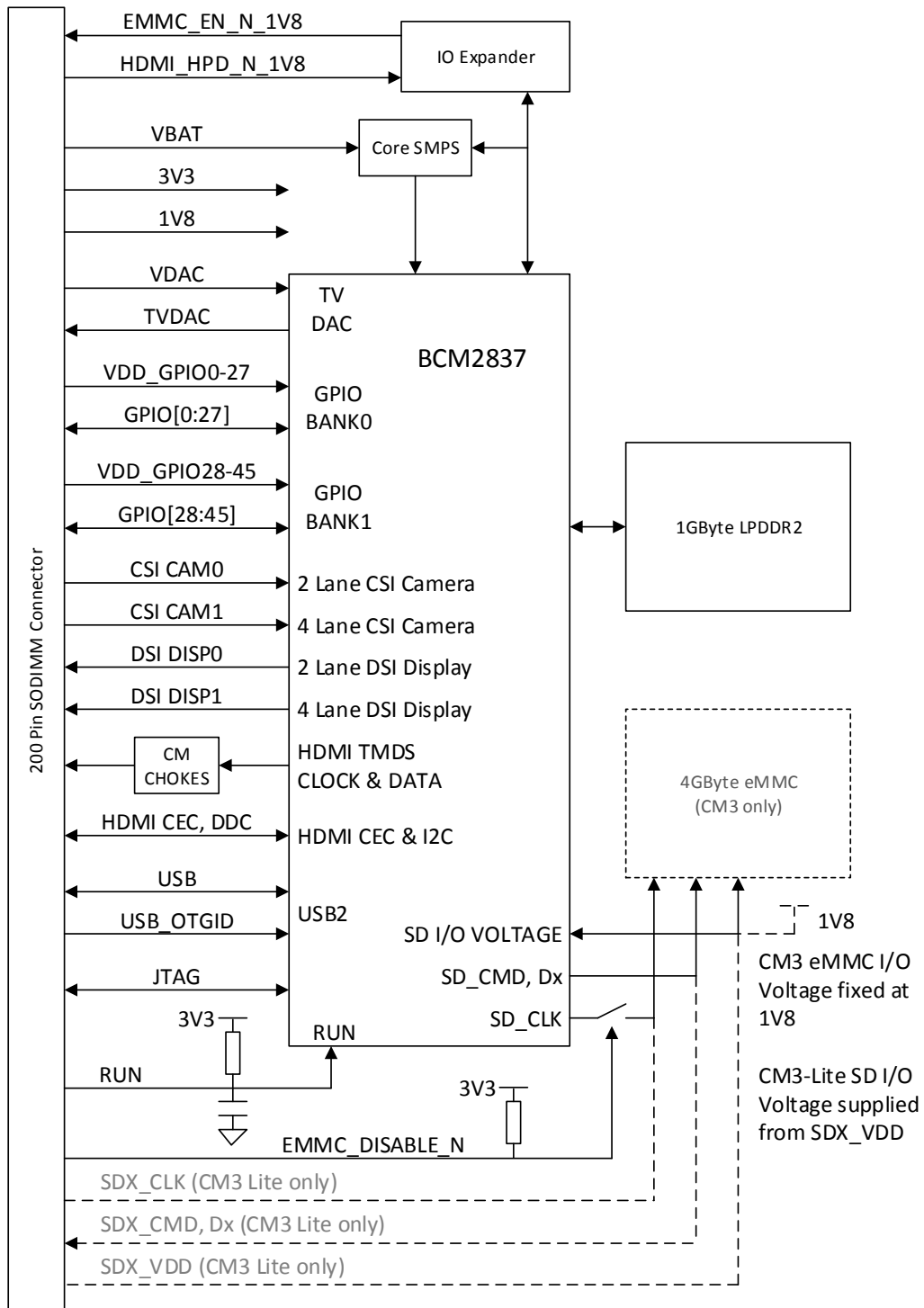


Figure 2: CM3/CM3L Block Diagram



4 Mechanical Specification

The Compute Modules conform to JEDEC MO-224 mechanical specification for 200 pin DDR2 (1.8V) SODIMM modules (with the exception that the CM3, CM3L modules are 31mm in height rather than 30mm of CM1) and therefore should work with the many DDR2 SODIMM sockets available on the market. **(Please note that the pinout of the Compute Module is not the same as a DDR2 SODIMM module; they are not electrically compatible.)**

The SODIMM form factor was chosen as a way to provide the 200 pin connections using a standard, readily available and low cost connector compatible with low cost PCB manufacture.

The maximum component height on the underside of the Compute Module is 1.2mm.

The maximum component height on the top side of the Compute Module is 1.5mm.

The Compute Module PCB thickness is 1.0mm +/- 0.1mm.

Note that the location and arrangement of components on the Compute Module may change slightly over time due to revisions for cost and manufacturing considerations; however, maximum component heights and PCB thickness will be kept as specified.

Figure 3 gives the CM1 mechanical dimensions. Figure 4 gives the CM3 and CM3L mechanical dimensions.

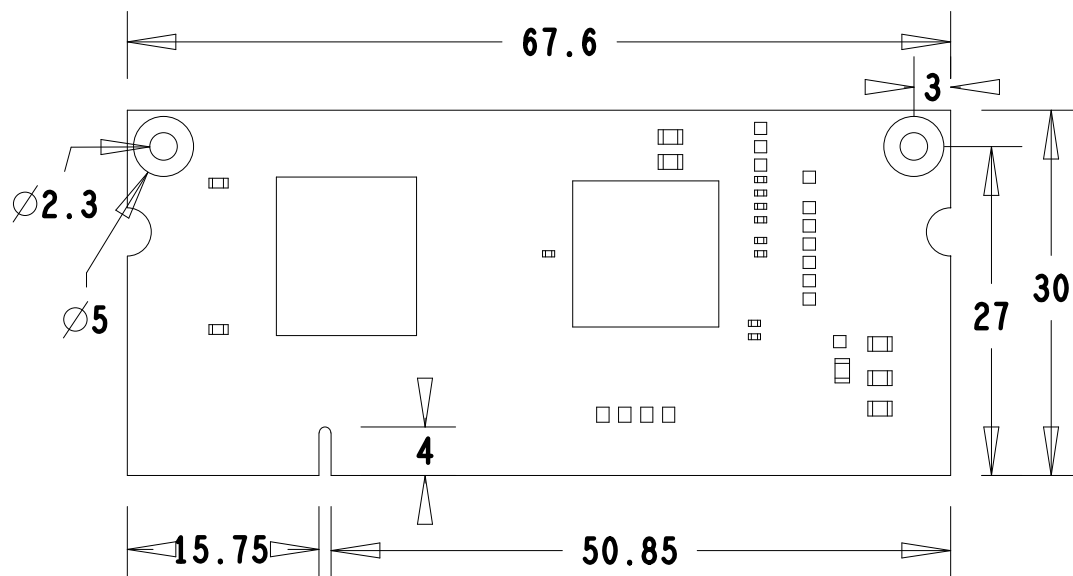


Figure 3: CM1 Mechanical Dimensions

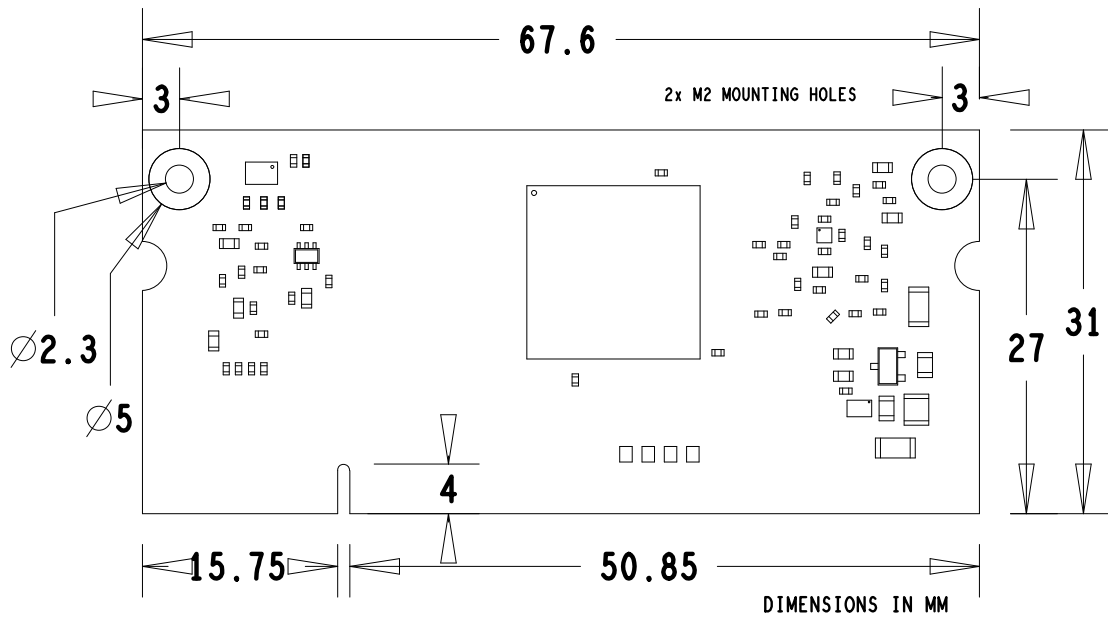


Figure 4: CM3 and CM3L Mechanical Dimensions



5 Pin Assignments

CM1	CM3-Lite	CM3	PIN	PIN	CM3	CM3-Lite	CM1
GND			1	2	EMMC_DISABLE_N		
GPIO0			3	4	NC	SDX_VDD	NC
GPIO1			5	6	NC	SDX_VDD	NC
GND			7	8	GND		NC
GPIO2			9	10	NC	SDX_CLK	NC
GPIO3			11	12	NC	SDX_CMD	NC
GND			13	14	GND		NC
GPIO4			15	16	NC	SDX_D0	NC
GPIO5			17	18	NC	SDX_D1	NC
GND			19	20	GND		NC
GPIO6			21	22	NC	SDX_D2	NC
GPIO7			23	24	NC	SDX_D3	NC
GND			25	26	GND		
GPIO8			27	28	GPIO28		
GPIO9			29	30	GPIO29		
GND			31	32	GND		
GPIO10			32	34	GPIO30		
GPIO11			35	36	GPIO31		
GND			37	38	GND		
GPIO0-27_VDD			39	40	GPIO0-27_VDD		
KEY							
GPIO28-45_VDD			41	42	GPIO28-45_VDD		
GND			43	44	GND		
GPIO12			45	46	GPIO32		
GPIO13			47	48	GPIO33		
GND			49	50	GND		
GPIO14			51	52	GPIO34		
GPIO15			53	54	GPIO35		
GND			55	56	GND		
GPIO16			57	58	GPIO36		
GPIO17			59	60	GPIO37		
GND			61	62	GND		
GPIO18			63	64	GPIO38		
GPIO19			65	66	GPIO39		
GND			67	68	GND		
GPIO20			69	70	GPIO40		
GPIO21			71	72	GPIO41		
GND			73	74	GND		
GPIO22			75	76	GPIO42		
GPIO23			77	78	GPIO43		
GND			79	80	GND		
GPIO24			81	82	GPIO44		
GPIO25			83	84	GPIO45		
GND			85	86	GND		
GPIO26			87	88	HDMI_HPD_N_1V8	GPIO46_1V8	
GPIO27			89	90	EMMC_EN_N_1V8	GPIO47_1V8	
GND			91	92	GND		
DSIO_DN1			93	94	DSI1_DP0		
DSIO_DP1			95	96	DSI1_DN0		
GND			97	98	GND		
DSIO_DN0			99	100	DSI1_CP		
DSIO_DP0			101	102	DSI1_CN		
GND			103	104	GND		
DSIO_CN			105	106	DSI1_DP3		
DSIO_CP			107	108	DSI1_DN3		
GND			109	110	GND		
HDMI_CLK_N			111	112	DSI1_DP2		
HDMI_CLK_P			113	114	DSI1_DN2		
GND			115	116	GND		
HDMI_DD_N			117	118	DSI1_DP1		
HDMI_DD_P			119	120	DSI1_DN1		
GND			121	122	GND		
HDMI_D1_N			123	124	NC		
HDMI_D1_P			125	126	NC		
GND			127	128	NC		
HDMI_D2_N			129	130	NC		
HDMI_D2_P			131	132	NC		
GND			133	134	GND		
CAM1_DP3			135	136	CAM0_DP0		
CAM1_DN3			137	138	CAM0_DN0		
GND			139	140	GND		
CAM1_DP2			141	142	CAM0_CP		
CAM1_DN2			143	144	CAM0_CN		
GND			145	146	GND		
CAM1_CP			147	148	CAM0_DP1		
CAM1_CN			149	150	CAM0_DN1		
GND			151	152	GND		
CAM1_DP1			153	154	NC		
CAM1_DN1			155	156	NC		
GND			157	158	NC		
CAM1_DP0			159	160	NC		
CAM1_DN0			161	162	NC		
GND			163	164	GND		
USB_DP			165	166	TVDAC		
USB_DM			167	168	USB_OTGID		
GND			169	170	GND		
HDMI_CEC			171	172	VC_TRST_N		
HDMI_SDA			173	174	VC_TDI		
HDMI_SCL			175	176	VC_TMS		
RUN1			177	178	VC_TDO		
VDD_CORE (DO NOT CONNECT)			179	180	VC_TCK		
GND			181	182	GND		
1V8			183	184	1V8		
1V8			185	186	1V8		
GND			187	188	GND		
VDAC			189	190	VDAC		
3V3			191	192	3V3		
3V3			193	194	3V3		
GND			195	196	GND		
VBAT			197	198	VBAT		
VBAT			199	200	VBAT		

Table 2: Compute Module SODIMM Connector Pinout

Table 2 gives the Compute Module pinout and Table 3 gives the Compute Module pin functions.



Pin Name	DIR	Voltage Ref	PDN ^a State	If Unused	Description/Notes
<i>RUN and Boot Control (see text for usage guide)</i>					
RUN	I	3V3 ^b	Pull High	Leave open	Has internal 10k pull up
EMMC_DISABLE_N	I	3V3 ^b	Pull High	Leave open	Has internal 10k pull up
EMMC_EN_N_1V8	O	1V8	Pull High	Leave open	Has internal 2k2 pull up
<i>GPIO</i>					
GPIO[27:0]	I/O	GPIO0-27_VDD	Pull or Hi-Z ^c	Leave open	GPIO Bank 0
GPIO[45:28]	I/O	GPIO28-45_VDD	Pull or Hi-Z ^c	Leave open	GPIO Bank 1
<i>Primary SD Interface^{d,e}</i>					
SDX_CLK	O	SDX_VDD	Pull High	Leave open	Primary SD interface CLK
SDX_CMD	I/O	SDX_VDD	Pull High	Leave open	Primary SD interface CMD
SDX_Dx	I/O	SDX_VDD	Pull High	Leave open	Primary SD interface DATA
<i>USB Interface</i>					
USB_Dx	I/O	-	Z	Leave open	Serial interface
USB_OTGID	I	3V3		Tie to GND	OTG pin detect
<i>HDMI Interface</i>					
HDMI_SCL	I/O	3V3 ^b	Z ^f	1K8 pull to 3V3	DDC Clock (5.5V tolerant)
HDMI_SDA	I/O	3V3 ^b	Z ^f	1K8 pull to 3V3	DDC Data (5.5V tolerant)
HDMI_CEC	I/O	3V3	Z	Leave open	CEC (has internal 27k pull up)
HDMI_CLKx	O	-	Z	Leave open	HDMI serial clock
HDMI_Dx	O	-	Z	Leave open	HDMI serial data
HDMI_HPD_N_1V8	I	1V8	Pull High	Leave open	HDMI hotplug detect
<i>CAM0 (CSI0) 2-lane Interface</i>					
CAM0_Cx	I	-	Z	Leave open	Serial clock
CAM0_Dx	I	-	Z	Leave open	Serial data
<i>CAM1 (CSI1) 4-lane Interface</i>					
CAM1_Cx	I	-	Z	Leave open	Serial clock
CAM1_Dx	I	-	Z	Leave open	Serial data
<i>DSI0 (Display 0) 2-lane Interface</i>					
DSI0_Cx	O	-	Z	Leave open	Serial clock
DSI0_Dx	O	-	Z	Leave open	Serial data
<i>DSI1 (Display 1) 4-lane Interface</i>					
DSI1_Cx	O	-	Z	Leave open	Serial clock
DSI1_Dx	O	-	Z	Leave open	Serial data
<i>TV Out</i>					
TVDAC	O	-	Z	Leave open	Composite video DAC output
<i>JTAG Interface</i>					
TMS	I	3V3	Z	Leave open	Has internal 50k pull up
TRST_N	I	3V3	Z	Leave open	Has internal 50k pull up
TCK	I	3V3	Z	Leave open	Has internal 50k pull up
TDI	I	3V3	Z	Leave open	Has internal 50k pull up
TDO	O	3V3	O	Leave open	Has internal 50k pull up

^a The PDN column indicates power-down state (when RUN pin LOW)

^b Must be driven by an open-collector driver

^c GPIO have software enabled pulls which keep state over power-down

^d Only available on Lite variants

^e The CM will always try to boot from this interface first

^f Requires external pull-up resistor to 5V as per HDMI spec

Table 3: Pin Functions



6 Electrical Specification

Caution! Stresses above those listed in Table 4 may cause permanent damage to the device. This is a stress rating only; functional operation of the device under these or any other conditions above those listed in the operational sections of this specification is not implied. Exposure to absolute maximum rating conditions for extended periods may affect device reliability.

Symbol	Parameter	Minimum	Maximum	Unit
VBAT	Core SMPS Supply	-0.5	6.0	V
3V3	3V3 Supply Voltage	-0.5	4.10	V
1V8	1V8 Supply Voltage	-0.5	2.10	V
VDAC	TV DAC Supply	-0.5	4.10	V
GPIO0-27_VDD	GPIO0-27 I/O Supply Voltage	-0.5	4.10	V
GPIO28-45_VDD	GPIO28-45 I/O Supply Voltage	-0.5	4.10	V
SDX_VDD	Primary SD/eMMC Supply Voltage	-0.5	4.10	V

Table 4: Absolute Maximum Ratings

DC Characteristics are defined in Table 5



Symbol	Parameter	Conditions	Minimum	Typical	Maximum	Unit
V_{IL}	Input low voltage ^a	VDD_IO = 1.8V	-	-	0.6	V
		VDD_IO = 2.7V	-	-	0.8	V
		VDD_IO = 3.3V	-	-	0.9	V
V_{IH}	Input high voltage ^a	VDD_IO = 1.8V	1.0	-	-	V
		VDD_IO = 2.7V	1.3	-	-	V
		VDD_IO = 3.3V	1.6	-	-	V
I_{IL}	Input leakage current	TA = +85°C	-	-	5	μA
C_{IN}	Input capacitance	-	-	5	-	pF
V_{OL}	Output low voltage ^b	VDD_IO = 1.8V, IOL = -2mA	-	-	0.2	V
		VDD_IO = 2.7V, IOL = -2mA	-	-	0.15	V
		VDD_IO = 3.3V, IOL = -2mA	-	-	0.14	V
V_{OH}	Output high voltage ^b	VDD_IO = 1.8V, IOH = 2mA	1.6	-	-	V
		VDD_IO = 2.7V, IOH = 2mA	2.5	-	-	V
		VDD_IO = 3.3V, IOH = 2mA	3.0	-	-	V
I_{OL}	Output low current ^c	VDD_IO = 1.8V, VO = 0.4V	12	-	-	mA
		VDD_IO = 2.7V, VO = 0.4V	17	-	-	mA
		VDD_IO = 3.3V, VO = 0.4V	18	-	-	mA
I_{OH}	Output high current ^c	VDD_IO = 1.8V, VO = 1.4V	10	-	-	mA
		VDD_IO = 2.7V, VO = 2.3V	16	-	-	mA
		VDD_IO = 3.3V, VO = 2.3V	17	-	-	mA
R_{PU}	Pullup resistor	-	50	-	65	kΩ
R_{PD}	Pulldown resistor	-	50	-	65	kΩ

^a Hysteresis enabled

^b Default drive strength (8mA)

^c Maximum drive strength (16mA)

Table 5: DC Characteristics

AC Characteristics are defined in Table 6 and Fig. 5.

Pin Name	Symbol	Parameter	Minimum	Typical	Maximum	Unit
Digital outputs	t_{rise}	10-90% rise time ^a	-	1.6	-	ns
Digital outputs	t_{fall}	90-10% fall time ^a	-	1.7	-	ns
GPCLK	t_{JOSC}	Oscillator-derived GPCLK cycle-cycle jitter (RMS)	-	-	20	ps
GPCLK	t_{JPLL}	PLL-derived GPCLK cycle-cycle jitter (RMS)	-	-	48	ps

^a Default drive strength, CL = 5pF, VDD_IOx = 3.3V

Table 6: Digital I/O Pin AC Characteristics

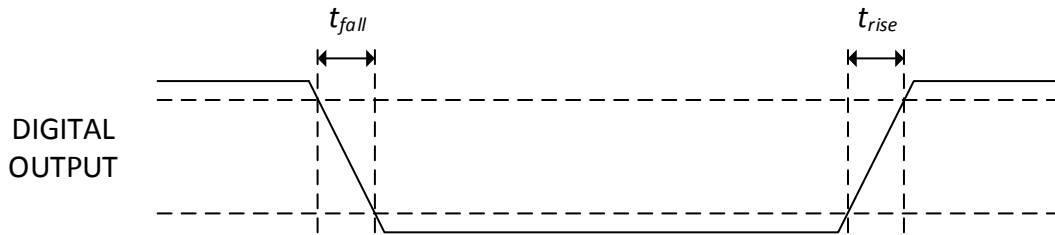


Figure 5: Digital IO Characteristics

7 Power Supplies

The Compute Module has six separate supplies that must be present and powered at all times; you cannot leave any of them unpowered, even if a specific interface or GPIO bank is unused. The six supplies are as follows:

1. VBAT is used to power the BCM283x processor core. It feeds the SMPS that generates the chip core voltage.
2. 3V3 powers various BCM283x PHYs, IO and the eMMC Flash.
3. 1V8 powers various BCM283x PHYs, IO and SDRAM.
4. VDAC powers the composite (TV-out) DAC.
5. GPIO0-27_VREF powers the GPIO 0-27 IO bank.
6. GPIO28-45_VREF powers the GPIO 28-45 IO bank.

Supply	Description	Minimum	Typical	Maximum	Unit
VBAT	Core SMPS Supply	2.5	-	5.0 + 5%	V
3V3	3V3 Supply Voltage	3.3 - 5%	3.3	3.3 + 5%	V
1V8	1V8 Supply Voltage	1.8 - 5%	1.8	1.8 + 5%	V
VDAC	TV DAC Supply ^a	2.5 - 5%	2.8	3.3 + 5%	V
GPIO0-27_VDD	GPIO0-27 I/O Supply Voltage	1.8 - 5%	-	3.3 + 5%	V
GPIO28-45_VDD	GPIO28-45 I/O Supply Voltage	1.8 - 5%	-	3.3 + 5%	V
SDX_VDD	Primary SD/eMMC Supply Voltage	1.8 - 5%	-	3.3 + 5%	V

^a Requires a clean 2.5-2.8V supply if TV DAC is used, else connect to 3V3

Table 7: Power Supply Operating Ranges

7.1 Supply Sequencing

Supplies should be staggered so that the highest voltage comes up first, then the remaining voltages in descending order. This is to avoid forward biasing internal (on-chip) diodes between supplies, and



causing latch-up. Alternatively supplies can be synchronised to come up at exactly the same time as long as at no point a lower voltage supply rail voltage exceeds a higher voltage supply rail voltage.

7.2 Power Requirements

Exact power requirements will be heavily dependent upon the individual use case. If an on-chip subsystem is unused, it is usually in a low power state or completely turned off. For instance, if your application does not use 3D graphics then a large part of the core digital logic will never turn on and need power. This is also the case for camera and display interfaces, HDMI, USB interfaces, video encoders and decoders, and so on.

Powerchain design is critical for stable and reliable operation of the Compute Module. We strongly recommend that designers spend time measuring and verifying power requirements for their particular use case and application, as well as paying careful attention to power supply sequencing and maximum supply voltage tolerance.

Table 8 specifies the recommended minimum power supply outputs required to power the Compute Module.

Supply	Minimum Requirement	Unit
VBAT (CM1)	2000 ^a	mW
VBAT (CM3,3L)	3500 ^a	mW
3V3	250	mA
1V8	250	mA
VDAC	25	mA
GPIO0-27_VDD	50 ^b	mA
GPIO28-45_VDD	50 ^b	mA
SDX_VDD	50 ^b	mA

^a Recommended minimum. Actual power drawn is very dependent on use-case

^b Each GPIO can supply up to 16mA, aggregate current per bank must not exceed 50mA

Table 8: Minimum Power Supply Requirements

8 Booting

The 4GB eMMC Flash device on CM3 is directly connected to the primary BCM2837 SD/eMMC interface. These connections are not accessible on the module pins. On CM3L this SD interface is available on the SDX_ pins.

When initially powered on, or after the RUN pin has been held low and then released, the BCM2837 will try to access the primary SD/eMMC interface. It will then look for a file called bootcode.bin on the primary partition (which must be FAT) to start booting the system. If it cannot access the SD/eMMC device or the boot code cannot be found, it will fall back to waiting for boot code to be written to it over USB; in other words, its USB port is in slave mode waiting to accept boot code from a suitable host.

A USB boot tool is available on Github which allows a host PC running Linux to write the BCM2837 boot code over USB to the module. That boot code then runs and provides access to the SD/eMMC as a



USB mass storage device, which can then be read and written using the host PC. Note that a Raspberry Pi can be used as the host machine. For those using Windows a precompiled and packaged tool is available. For more information see [here](#).

The Compute Module has a pin called `EMMC_DISABLE_N` which when shorted to GND will disable the SD/eMMC interface (by physically disconnecting the `SD_CMD` pin), forcing BCM2837 to boot from USB. Note that when the eMMC is disabled in this way, it takes a couple of seconds from powering up for the processor to stop attempting to talk to the SD/eMMC device and fall back to booting from USB.

Note that once booted over USB, BCM2837 needs to re-enable the SD/eMMC device (by releasing `EMMC_DISABLE_N`) to allow access to it as mass storage. It expects to be able to do this by driving the `EMMC_EN_N_1V8` pin LOW, which at boot is initially an input with a pull up to 1V8. If an end user wishes to add the ability to access the SD/eMMC over USB in their product, similar circuitry to that used on the Compute Module IO Board to enable/disable the USB boot and SD/eMMC must be used; that is, `EMMC_DISABLE_N` pulled low via MOSFET(s) and released again by MOSFET, with the gate controlled by `EMMC_EN_N_1V8`. Ensure you use MOSFETs suitable for switching at 1.8V (i.e. use a device with gate threshold voltage, V_t , suitable for 1.8V switching).

9 Peripherals

9.1 GPIO

BCM283x has in total 54 GPIO lines in 3 separate voltage banks. All GPIO pins have at least two alternative functions within the SoC. When not used for the alternate peripheral function, each GPIO pin may be set as an input (optionally as an interrupt) or an output. The alternate functions are usually peripheral I/Os, and most peripherals appear twice to allow flexibility on the choice of I/O voltage.

On CM1, CM3 and CM3L bank2 is used on the module to connect to the eMMC device and, on CM3 and CM3L, for an on-board I2C bus (to talk to the core SMPS and control the special function pins). On CM3L most of bank 2 is exposed to allow a user to connect their choice of SD card or eMMC device (if required).

Bank0 and 1 GPIOs are available for general use. GPIO0 to GPIO27 are bank 0 and GPIO28-45 make up bank1. `GPIO0-27_VDD` is the power supply for bank0 and `GPIO28-45_VDD` is the power supply for bank1. `SDX_VDD` is the supply for bank2 on CM3L. These supplies can be in the range 1.8V-3.3V (see Table 7) and are not optional; each bank must be powered, even when none of the GPIOs for that bank are used.

Note that the `HDMI_HPD_N_1V8` and `EMMC_EN_N_1V8` pins (on CM1 these were called `GPIO46_1V8` and `GPIO47_1V8` respectively) are 1.8V IO and are used for special functions (HDMI hot plug detect and boot control respectively). Please do not use these pins for any other purpose, as the software for the Compute Module will always expect these pins to have these special functions. If they are unused please leave them unconnected.

All GPIOs except GPIO28, 29, 44 and 45 have weak in-pad pull-ups or pull-downs enabled when the device is powered on. It is recommended to add off-chip pulls to GPIO28, 29, 44 and 45 to make sure they never float during power on and initial boot.



9.1.1 GPIO Alternate Functions

GPIO	Default		ALT0	ALT1	ALT2	ALT3	ALT4	ALT5
	Pull							
0	High		SDA0	SA5	PCLK	-	-	-
1	High		SCL0	SA4	DE	-	-	-
2	High		SDA1	SA3	LCD_VSYNC	-	-	-
3	High		SCL1	SA2	LCD_HSYNC	-	-	-
4	High		GPCLK0	SA1	DPL.D0	-	-	ARM_TDI
5	High		GPCLK1	SA0	DPL.D1	-	-	ARM_TDO
6	High		GPCLK2	SOE_N	DPL.D2	-	-	ARM_RTCK
7	High		SPI0_CE1_N	SWE_N	DPL.D3	-	-	-
8	High		SPI0_CE0_N	SD0	DPL.D4	-	-	-
9	Low		SPI0_MISO	SD1	DPL.D5	-	-	-
10	Low		SPI0_MOSI	SD2	DPL.D6	-	-	-
11	Low		SPI0_SCLK	SD3	DPL.D7	-	-	-
12	Low		PWM0	SD4	DPL.D8	-	-	ARM_TMS
13	Low		PWM1	SD5	DPL.D9	-	-	ARM_TCK
14	Low		TXD0	SD6	DPL.D10	-	-	TXD1
15	Low		RXD0	SD7	DPL.D11	-	-	RXD1
16	Low		FL0	SD8	DPL.D12	CTS0	SPI1_CE2_N	CTS1
17	Low		FL1	SD9	DPL.D13	RTS0	SPI1_CE1_N	RTS1
18	Low		PCM_CLK	SD10	DPL.D14	-	SPI1_CE0_N	PWM0
19	Low		PCM_FS	SD11	DPL.D15	-	SPI1_MISO	PWM1
20	Low		PCM_DIN	SD12	DPL.D16	-	SPI1_MOSI	GPCLK0
21	Low		PCM_DOUT	SD13	DPL.D17	-	SPI1_SCLK	GPCLK1
22	Low		SD0_CLK	SD14	DPL.D18	SD1_CLK	ARM_TRST	-
23	Low		SD0_CMD	SD15	DPL.D19	SD1_CMD	ARM_RTCK	-
24	Low		SD0_DAT0	SD16	DPL.D20	SD1_DAT0	ARM_TDO	-
25	Low		SD0_DAT1	SD17	DPL.D21	SD1_DAT1	ARM_TCK	-
26	Low		SD0_DAT2	TE0	DPL.D22	SD1_DAT2	ARM_TDI	-
27	Low		SD0_DAT3	TE1	DPL.D23	SD1_DAT3	ARM_TMS	-

Table 9: GPIO Bank0 Alternate Functions



GPIO	Default						
	Pull	ALT0	ALT1	ALT2	ALT3	ALT4	ALT5
28	None	SDA0	SA5	PCM_CLK	FL0	-	-
29	None	SCL0	SA4	PCM_FS	FL1	-	-
30	Low	TE0	SA3	PCM_DIN	CTS0	-	CTS1
31	Low	FL0	SA2	PCM_DOUT	RTS0	-	RTS1
32	Low	GPCLK0	SA1	RING_OCLK	TXD0	-	TXD1
33	Low	FL1	SA0	TE1	RXD0	-	RXD1
34	High	GPCLK0	SOE_N	TE2	SD1_CLK	-	-
35	High	SPI0_CE1_N	SWE_N	-	SD1_CMD	-	-
36	High	SPI0_CE0_N	SD0	TXD0	SD1_DAT0	-	-
37	Low	SPI0_MISO	SD1	RXD0	SD1_DAT1	-	-
38	Low	SPI0_MOSI	SD2	RTS0	SD1_DAT2	-	-
39	Low	SPI0_SCLK	SD3	CTS0	SD1_DAT3	-	-
40	Low	PWM0	SD4	-	SD1_DAT4	SPI2_MISO	TXD1
41	Low	PWM1	SD5	TE0	SD1_DAT5	SPI2_MOSI	RXD1
42	Low	GPCLK1	SD6	TE1	SD1_DAT6	SPI2_SCLK	RTS1
43	Low	GPCLK2	SD7	TE2	SD1_DAT7	SPI2_CE0_N	CTS1
44	None	GPCLK1	SDA0	SDA1	TE0	SPI2_CE1_N	-
45	None	PWM1	SCL0	SCL1	TE1	SPI2_CE2_N	-

Table 10: GPIO Bank1 Alternate Functions

Table 9 and Table 10 detail the default pin pull state and available alternate GPIO functions. Most of these alternate peripheral functions are described in detail in the Broadcom Peripherals Specification document and have Linux drivers available.

9.1.2 Secondary Memory Interface (SMI)

The SMI peripheral is an asynchronous NAND type bus supporting Intel mode80 type transfers at 8 or 16 bit widths and available in the ALT1 positions on GPIO banks 0 and 1 (see Table 9 and Table 10). It is not publicly documented in the Broadcom Peripherals Specification but a Linux driver is available in the Raspberry Pi Github Linux repository (`bcm2835_smi.c` in `linux/drivers/misc`).

9.1.3 Display Parallel Interface (DPI)

A standard parallel RGB (DPI) interface is available on bank 0 GPIOs. This up-to-24-bit parallel interface can support a secondary display. Again this interface is not documented in the Broadcom Peripherals Specification but documentation can be found [here](#).



9.1.4 SD/SDIO Interface

The BCM283x supports two SD card interfaces, SD0 and SD1.

The first (SD0) is a proprietary Broadcom controller that does not support SDIO and is the primary interface used to boot and talk to the eMMC or SDX_x signals.

The second interface (SD1) is standards compliant and can interface to SD, SDIO and eMMC devices; for example on a Raspberry Pi 3 it is used to talk to the on-board BCM43438 WiFi device in SDIO mode.

Both interfaces can support speeds up to 50MHz single ended (SD High Speed Mode).

9.2 CSI (MIPI Serial Camera)

Currently the CSI interface is not openly documented and only CSI camera sensors supported by the official Raspberry Pi firmware will work with this interface. Supported sensors are the OmniVision OV5647 and Sony IMX219.

It is recommended to attach other cameras via USB.

9.3 DSI (MIPI Serial Display)

Currently the DSI interface is not openly documented and only DSI displays supported by the official Raspberry Pi firmware will work with this interface.

Displays can also be added via the parallel DPI interface which is available as a GPIO alternate function - see Table 9 and Section 9.1.3

9.4 USB

The BCM283x USB port is On-The-Go (OTG) capable. If using either as a fixed slave or fixed master, please tie the USB_OTGID pin to ground.

The USB port (Pins USB_DP and USB_DM) must be routed as 90 ohm differential PCB traces.

Note that the port is capable of being used as a true OTG port however there is no official documentation. Some users have had success making this work.

9.5 HDMI

BCM283x supports HDMI V1.3a.

It is recommended that users follow a similar arrangement to the Compute Module IO Board circuitry for HDMI output.

The HDMI CK_P/N (clock) and D0-D2_P/N (data) pins must each be routed as matched length 100 ohm differential PCB traces. It is also important to make sure that each differential pair is closely phase matched. Finally, keep HDMI traces well away from other noise sources and as short as possible.

Failure to observe these design rules is likely to result in EMC failure.



9.6 Composite (TV Out)

The TVDAC pin can be used to output composite video (PAL or NTSC). Please route this signal away from noise sources and use a 75 ohm PCB trace.

Note that the TV DAC is powered from the VDAC supply which must be a clean supply of 2.5-2.8V. It is recommended users generate this supply from 3V3 using a low noise LDO.

If the TVDAC output is not used VDAC can be connected to 3V3, but it must be powered even if the TV-out functionality is unused.

10 Thermals

The BCM283x SoC employs DVFS (Dynamic Voltage and Frequency Scaling) on the core voltage. When the processor is idle (low CPU utilisation), it will reduce the core frequency and voltage to reduce current draw and heat output. When the core utilisation exceeds a certain threshold the core voltage is increased and the core frequency is boosted to the maximum working frequency. The voltage and frequency are throttled back when the CPU load reduces back to an 'idle' level OR when the silicon temperature as measured by the on-chip temperature sensor exceeds 85C (thermal throttling).

A designer must pay careful attention to the thermal design of products using the CM3/CM3L so that performance is not artificially curtailed due to the processor thermal throttling, as the Quad ARM complex in the BCM2837 can generate significant heat output.

10.1 Temperature Range

The operating temperature range of the module is set by the lowest maximum and highest minimum of any of the components used.

The eMMC and LPDDR2 have the narrowest range, these are rated for -25 to +80 degrees Celsius. Therefore the nominal range for the CM3 and CM3L is -25C to +80C.

However, this range is the maximum for the silicon die; therefore, users would have to take into account the heat generated when in use and make sure this does not cause the temperature to exceed 80 degrees Celsius.

11 Availability

Raspberry Pi guarantee availability of CM1, CM3 and CM3 Lite until at least January 2026.

12 Support

For support please see the hardware documentation section of the Raspberry Pi website and post questions to the Raspberry Pi forum.