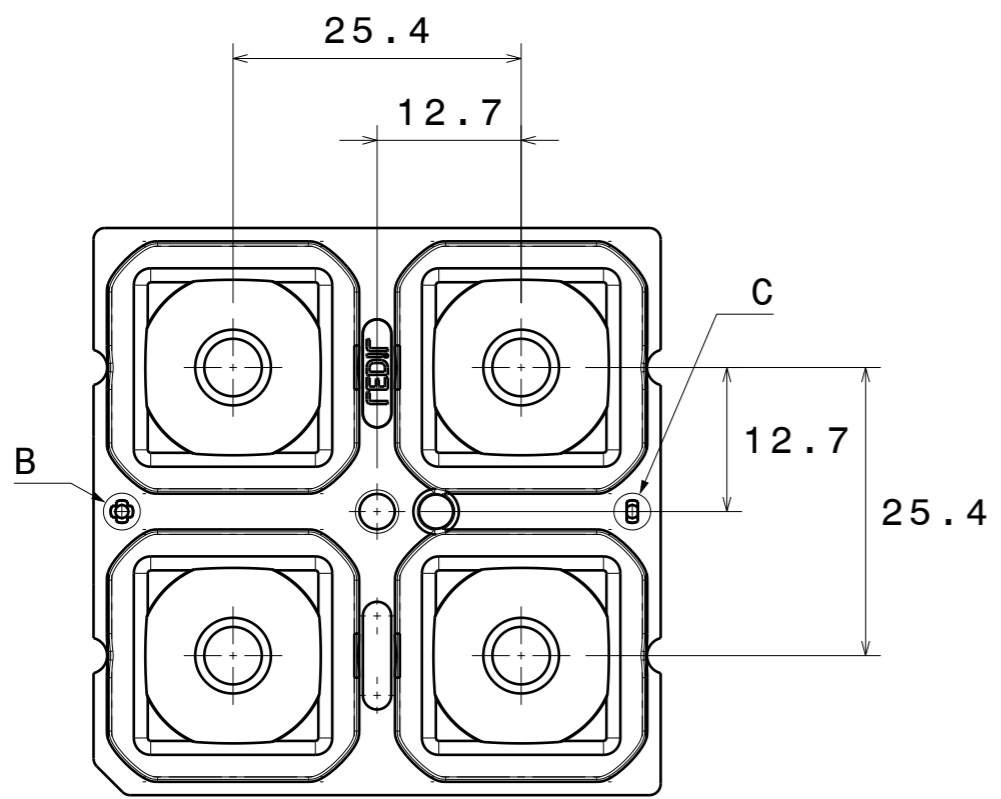


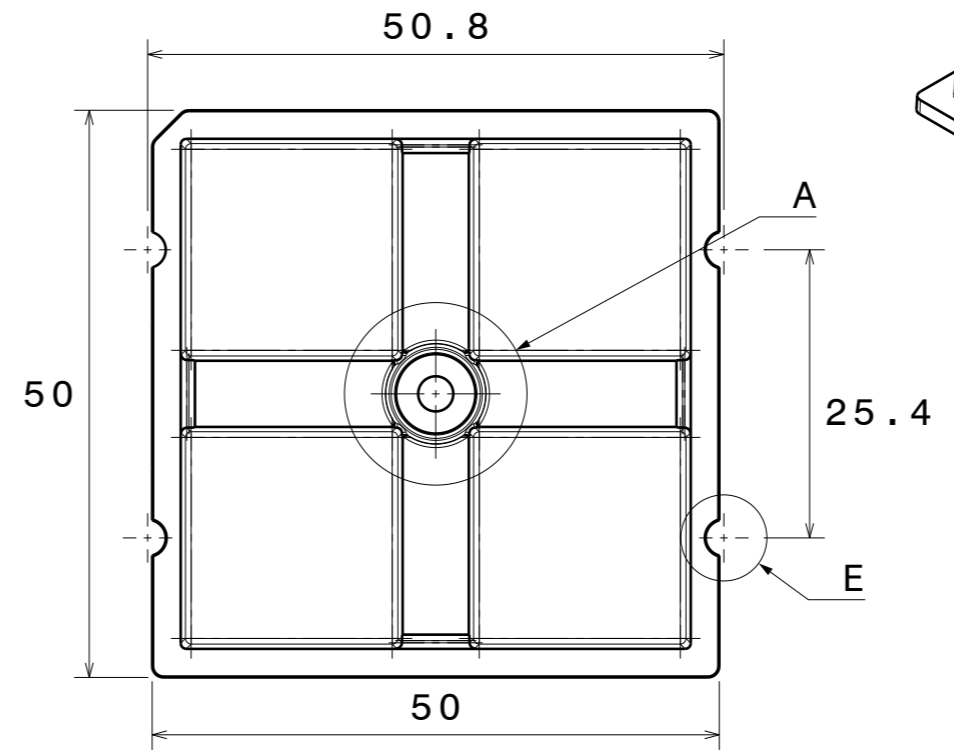
H G F E D C B A

4

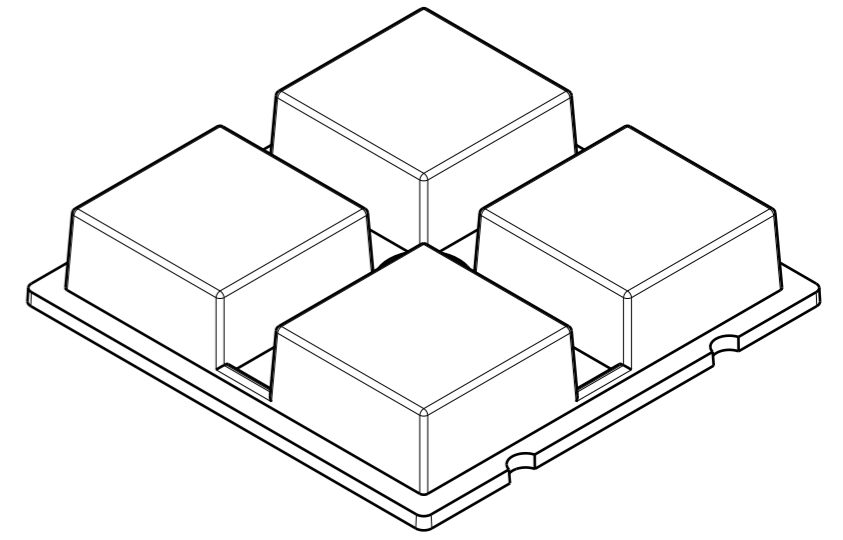
4



Bottom view



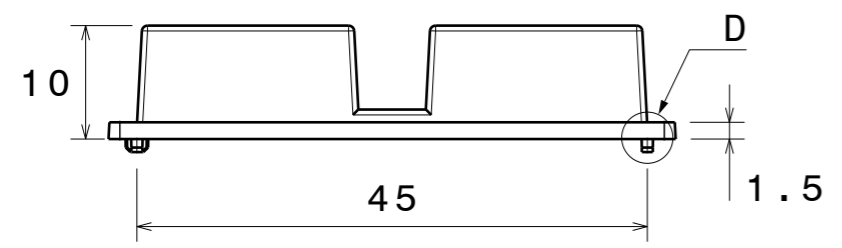
Top view



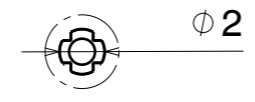
Isometric view

3

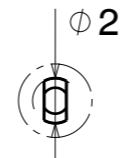
3



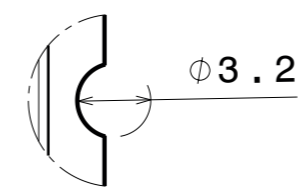
Front view



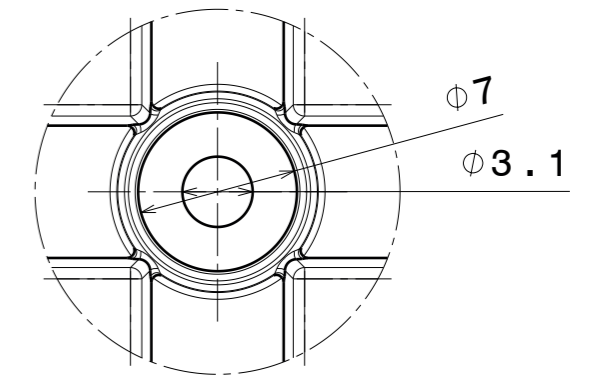
Detail B



Detail C



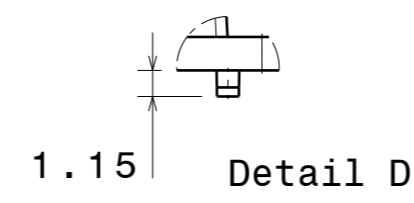
Detail E



Detail A

2

2



Detail D

Plastic moulding general tolerances according to DIN 16901-130 and applies if not otherwise shown in the drawing. Silicone moulding general tolerances according to ISO 3302-1 Class M3 and applies if not otherwise shown in the drawing.	LEDiL LediL Oy Salorankatu 10 FIN 24240 SALO Finland	
	THIRD ANGLE PROJECTION:	
This drawing is the property of LEDiL Oy. It may not be reproduced, copied or communicated without a written agreement with LEDiL Oy.	DRAWING TITLE C14729_HB-2X2-RS-PC	
	SIZE A3	PART NUMBER C14729
SCALE 3:2	WEIGHT -	SHEET 1/1

H G B A