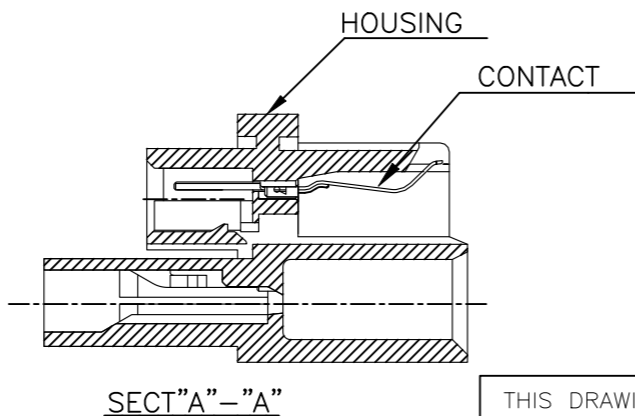
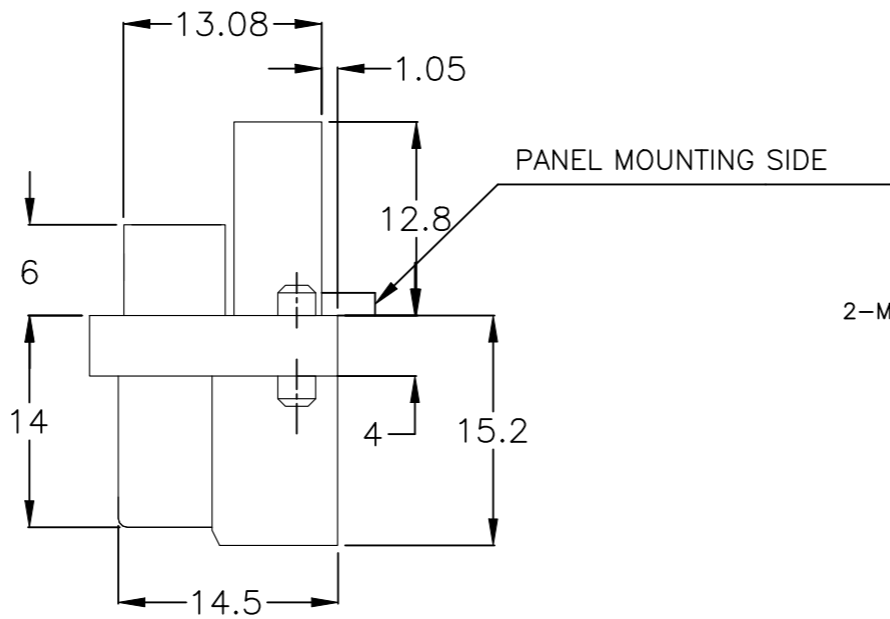
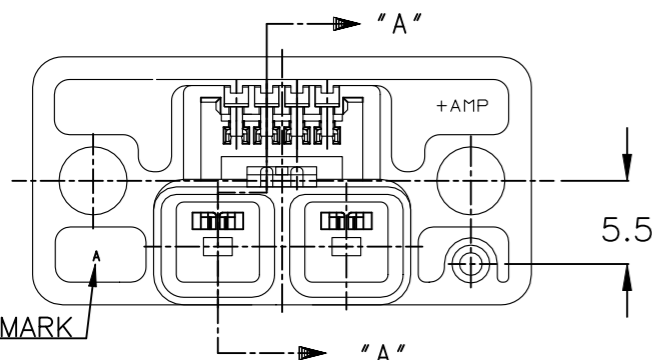
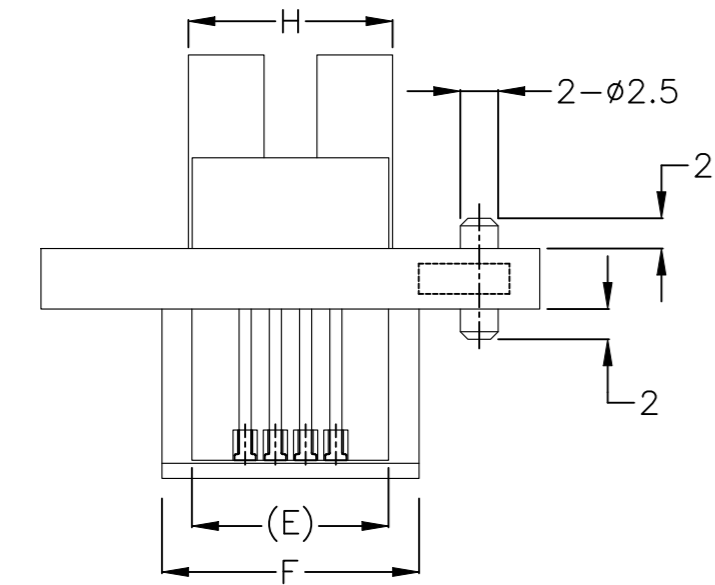
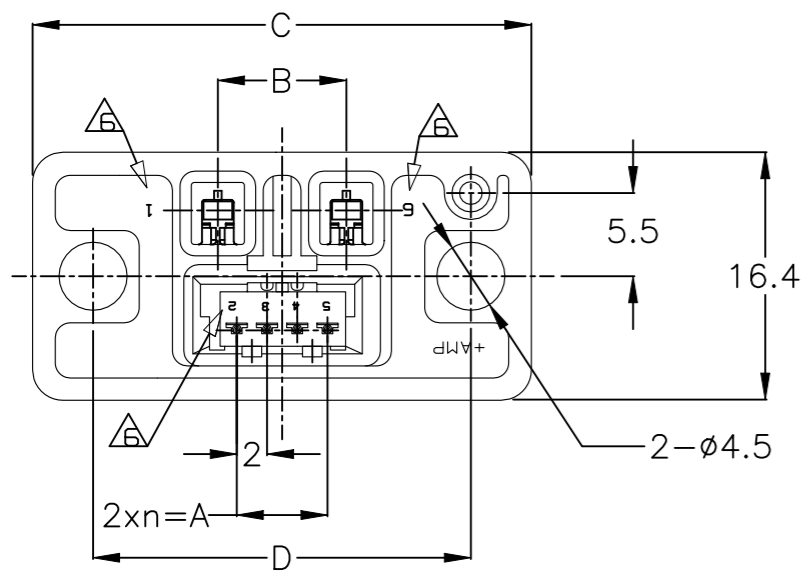


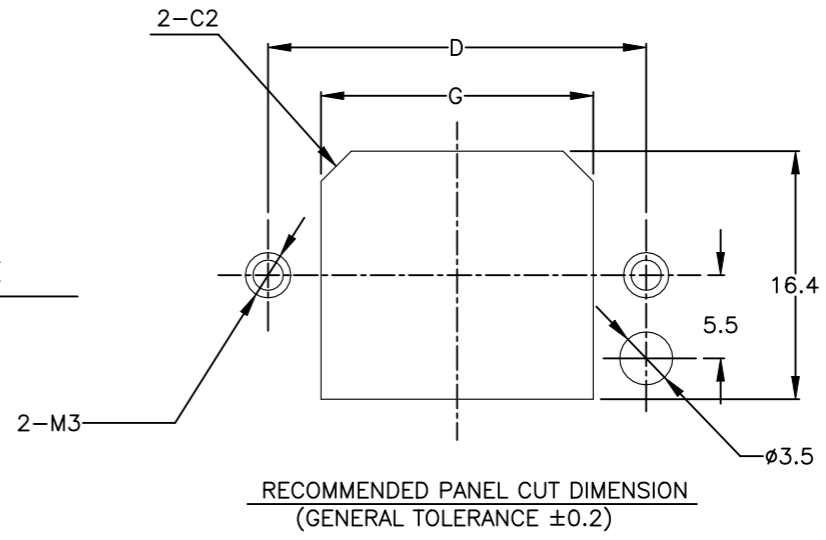
REVISIONS

| P | LTR | DESCRIPTION           | DATE      | DWN | APVD |
|---|-----|-----------------------|-----------|-----|------|
|   | A1  | REVISED ECR-22-144934 | 14JUL2022 | SSM | I.E  |



NOTES:

- 1 MATERIAL: HOUSING: THERMOPLASTIC, COLOR: BLACK 94V-0  
CONTACT: COPPER ALLOY  
FINISH: MATING SIDE: PLATE NICKEL OVERALL PLATE COLD  
CT SIDE: PLATE NICKEL ALL OVER MATTE TIN PL.
- 2. USE UP CONTACT 175149-X, 175150-X
- 3. RECOMMENDED PANEL CUT DIMENSION



- 4. MATING CONN: 292184-1
- 5. USE CT REC. CONN: 173977-X(MT CONN), 175778-X(CRIMP HSG)  
175102-X & 175161-X (CRIMP CONTACT)
- 6. CIRCUIT NO: SEE TABLE

|              |      |    |    |    |    |    |     |   |   |      |             |
|--------------|------|----|----|----|----|----|-----|---|---|------|-------------|
| 1,2,3,4,5,6  | 13.5 | 18 | 17 | 13 | 25 | 33 | 8.5 | 6 | 3 | 6    | 292180-1    |
| △ CIRCUIT NO | H    | G  | F  | E  | D  | C  | B   | A | n | Pos. | PART NUMBER |

THIS DRAWING IS A CONTROLLED DOCUMENT.

|                  |   |         |          |   |
|------------------|---|---------|----------|---|
| DWN              | J.JIANG                                 | 05FEB03 |          |   |
| CHK              | S.YAO                                   | 05FEB03 |          |   |
| APVD             | T.SASAKI                                | 05FEB03 |          |   |
| PRODUCT SPEC     | 108-60022                               |         |          |   |
| APPLICATION SPEC | NAME                                    |         |          |   |
| WEIGHT           | SIZE CAGE CODE DRAWING NO RESTRICTED TO |         |          |   |
|                  | A3                                      | 00779   | C-292180 | - |



CAP ASS'Y WITHOUT COMMONING TAB FOR HYBRID MINI-DRAWER CONNECTOR

TOLERANCES UNLESS OTHERWISE SPECIFIED

|               |         |
|---------------|---------|
| 10 >> *       | : ±0.2  |
| 30 >> * > 10  | : ±0.25 |
| 100 >> * > 30 | : ±0.3  |
| ANGLE         | : ±3°   |

DIMENSIONS: mm

TOLERANCES UNLESS OTHERWISE SPECIFIED:

|        |        |
|--------|--------|
| 0 PLC  | ± 0.15 |
| 1 PLC  | ± 0.15 |
| 2 PLC  | ± 0.15 |
| 3 PLC  | ± 0.15 |
| 4 PLC  | ± 0.15 |
| ANGLES | ± 1°   |

MATERIAL: SEE NOTES 1

FINISH: SEE NOTES 1