

- 注記 NOTES.
- 材質 ハウジング: PA46, UL94V-0, 色: 黒
MATERIALS HOUSING: PA46, UL94V-0, COLOUR: BLACK
 - 適合ターミナル: 78172-041*
APPLICABLE TERMINAL: 78172-041*
 - 嵌合相手: 78171-500*
MATES WITH 78171-500*
↑極数 No. / CIRCUIT No.
 - 梱包形態: 袋詰め梱包
PACKAGING SPECIFICATION: PLASTIC BAG PACKAGING
 - 製品番号は右記の内容を示す: 78172-500*
PRODUCT NUMBER INDICATES FOLLOWING 78172-500*
↑極数 No. / CIRCUIT No.
 - ELV 及び RoHS 適合品
ELV AND RoHS COMPLIANT
 - 参考として本製品評価時に使用の電線仕様を以下に示します。
THE ELECTRIC WIRE SPECIFICATION USED AS REFERENCE AT THE TIME OF THIS PRODUCT EVALUATION IS SHOWN BELOW.

※製品評価時使用電線

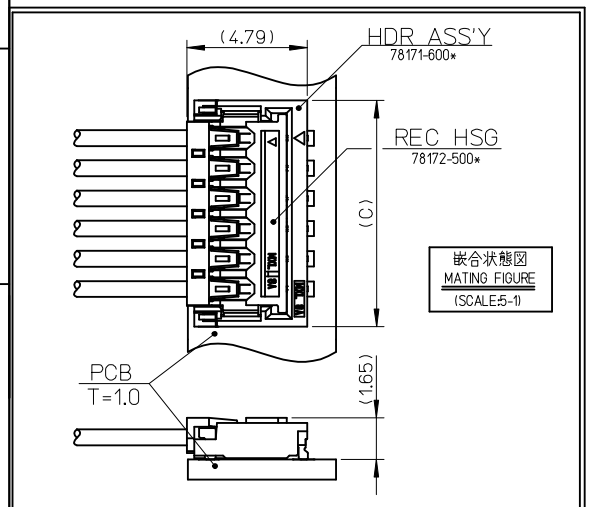
UL 3302 電線
UL STYLE 3302

電線サイズ WIRE SIZE	導体仕様 CONDUCTOR SPEC.	導体構成 STRANDING (No./mm)	導体外径 CONDUCTOR DIA. (mm)	絶縁体外径 INSULATION DIA. (mm)
AWG# 30	錫メッキ軟銅線 TINNED ANNEALED COPPER	7/0.10	0.30	0.70

UL 3302 電線
UL STYLE 3302

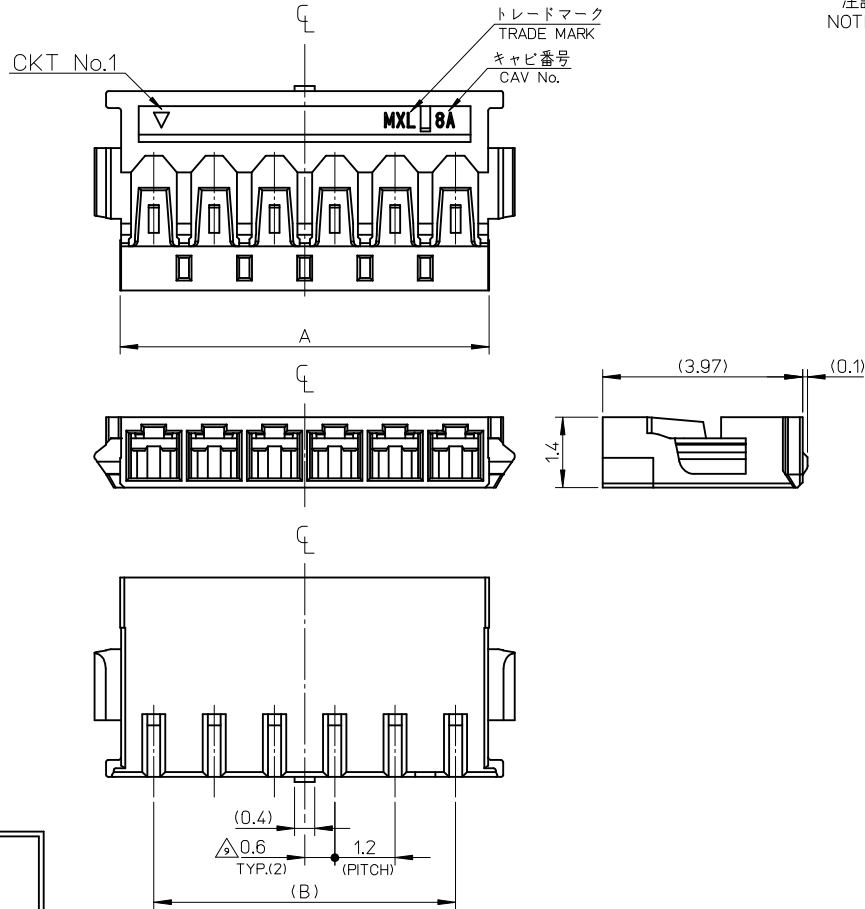
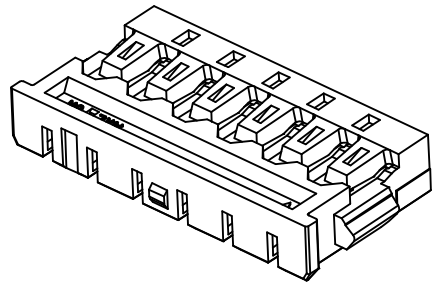
電線サイズ WIRE SIZE	導体仕様 CONDUCTOR SPEC.	導体構成 STRANDING (No./mm)	導体外径 CONDUCTOR DIA. (mm)	絶縁体外径 INSULATION DIA. (mm)
AWG# 28	錫メッキ軟銅線 TINNED ANNEALED COPPER	7/0.127	0.38	0.6

- 製品の取扱いについては取扱説明書"AS-78172-001"を参照願います。
REFER TO INSTRUCTION MANUAL "AS-78172-001"
- 偶数極の製品に適用
APPLY EVEN CIRCUIT PRODUCTS.



8.54	7.2	10.2	7	78172-5007	78172-500*
7.34	6	9	6	78172-5006	
A	B	C	CKT	MATERIAL NO.	MODEL NO.

REVISED REV NO: J2016-0282 DRAWN: TAKAIKE 2015/09/14 CHKD: KASAKAWA 2015/09/15 APPR: NUKITA ZINBOKU/MS	GENERAL TOLERANCES (UNLESS SPECIFIED)		DIMENSION STYLE MM ONLY		SCALE 10:1	DESIGN UNITS METRIC	THIRD ANGLE PROJECTION
	0.25 UNDER	±0.03	DRAWN BY T. ODA		TITLE 12W/B CONN REC CRIMP HSG		
	0.25 OVER 0.5 UNDER	±0.05	DATE 08/06/16		molex		
	0.5 OVER 1.0 UNDER	±0.1	CHECKED BY SA. SATO				
	1.0 OVER 10 UNDER	±0.2	DATE 08/06/16		DOCUMENT NO. SD-78172-001		
10 OVER 30 UNDER	±0.25	APPROVED BY S. ICHIKAWA		SHEET NO. 1 OF 1			
30 OVER	±0.3	DATE 08/06/16		SEE TABLE			
ANGULAR ±1 °		MATERIAL NO.		THIS DRAWING CONTAINS INFORMATION THAT IS PROPRIETARY TO MOLEX INCORPORATED AND SHOULD NOT BE USED WITHOUT WRITTEN PERMISSION			
DRAFT WHERE APPLICABLE MUST REMAIN WITHIN DIMENSIONS		SIZE A3					

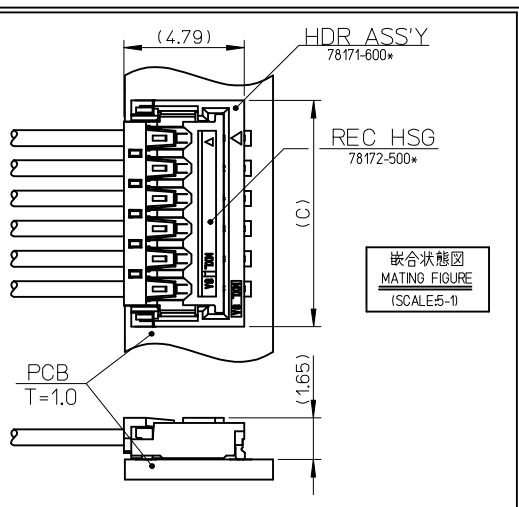


- 注記 NOTES.
- 材質 ハウジング: PA46, UL94V-0, 色: 黒
MATERIALS HOUSING: PA46, UL94V-0, COLOUR: BLACK
 - 適合ターミナル: 78172-041*
APPLICABLE TERMINAL: 78172-041*
 - 嵌合相手: 78171-500*
MATES WITH 極数 No. / CIRCUIT No.
 - 梱包形態: 袋詰め梱包
PACKAGING SPECIFICATION: PLASTIC BAG PACKAGING
 - 製品番号は右記の内容を示す: 78172-500*
PRODUCT NUMBER INDICATES FOLLOWING 極数 No. / CIRCUIT No.
 - ELV 及び RoHS 適合品
ELV AND RoHS COMPLIANT
 - 参考として本製品評価時に使用の電線仕様を以下に示します。
THE ELECTRIC WIRE SPECIFICATION USED AS REFERENCE AT THE TIME OF THIS PRODUCT EVALUATION IS SHOWN BELOW.

※製品評価時使用電線

UL 3302 電線 UL STYLE 3302				
電線サイズ WIRE SIZE	導体仕様 CONDUCTOR SPEC.	導体構成 STRANDING (No./mm)	導体外径 CONDUCTOR DIA. (mm)	絶縁体外径 INSULATION DIA. (mm)
AWG# 30	錫メッキ軟銅線 TINNED ANNEALED COPPER	7/0.10	0.30	0.70
UL 3302 電線 UL STYLE 3302				
電線サイズ WIRE SIZE	導体仕様 CONDUCTOR SPEC.	導体構成 STRANDING (No./mm)	導体外径 CONDUCTOR DIA. (mm)	絶縁体外径 INSULATION DIA. (mm)
AWG# 28	錫メッキ軟銅線 TINNED ANNEALED COPPER	7/0.127	0.38	0.6

- 製品の取扱いについては取扱説明書"AS-78172-001"を参照願います。
REFER TO INSTRUCTION MANUAL "AS-78172-001"
- 偶数極の製品に適用
APPLY EVEN CIRCUIT PRODUCTS.



8.54	7.2	10.2	7	78172-5007	78172-500*
7.34	6	9	6	78172-5006	
A	B	C	CKT	MATERIAL NO.	MODEL NO.

REVISED EC NO: J2016-0282 DRAWN: TAKAIKE 2015/09/14 CHKD: KASAKAWA 2015/09/15 APPR: NUKITA ZINBOKU/MS	GENERAL TOLERANCES (UNLESS SPECIFIED)		DIMENSION STYLE MM ONLY		SCALE 10:1	DESIGN UNITS METRIC	THIRD ANGLE PROJECTION
	0.25 UNDER	±0.03	DRAWN BY T. ODA		TITLE 1.2W/B CONN REC CRIMP HSG		
	0.25 OVER 0.5 UNDER	±0.05	DATE 08/06/16		DOCUMENT NO. SD-78172-001		
	0.5 OVER 1.0 UNDER	±0.1	CHECKED BY SA. SATO				
	1.0 OVER 10 UNDER	±0.2	DATE 08/06/16		THIS DRAWING CONTAINS INFORMATION THAT IS PROPRIETARY TO MOLEX INCORPORATED AND SHOULD NOT BE USED WITHOUT WRITTEN PERMISSION		
10 OVER 30 UNDER	±0.25	APPROVED BY S. ICHIKAWA		DATE 08/06/16			
30 OVER	±0.3	MATERIAL NO.		SEE TABLE			
ANGULAR ±1 °	DRAFT WHERE APPLICABLE MUST REMAIN WITHIN DIMENSIONS		SIZE A3				