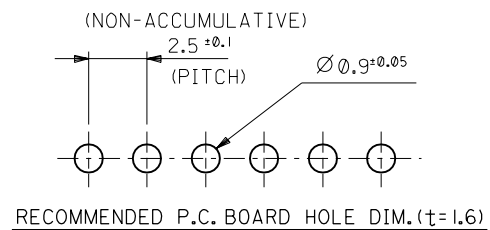
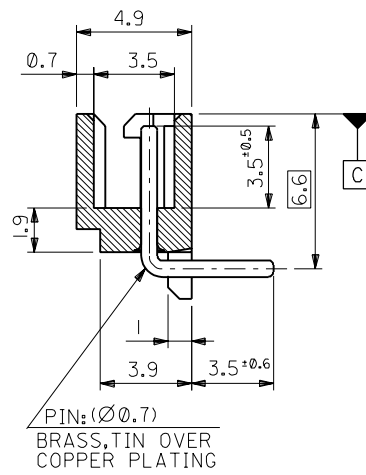
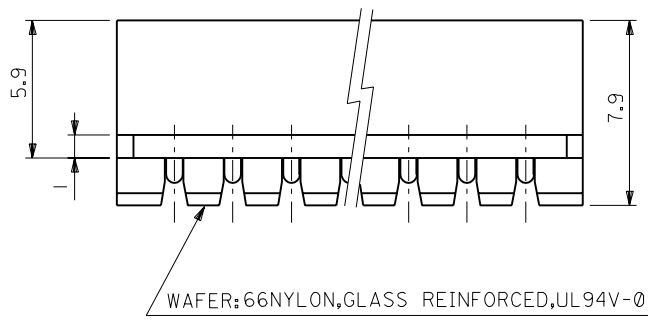


CIRCUIT NO.

NOTES  
1. MATES WITH : 5264-N



22.4	21	17.5	8	7	6	39-31-5097	5268B09
19.9	18.5	15	7	5	3,4	39-31-5087	5268B08
9.9	8.5	5	3	2	2	39-31-5077	5268B07
32.4	31	27.5	12	6	2,4,6,8,10,11	39-31-5067	5268B06
29.9	28.5	25	11	10	10	39-31-5057	5268B05
19.9	18.5	15	7	6	4	39-31-5047	5268B04
39.9	38.5	35	15	14	2	39-31-5037	5268B03
12.4	11	7.5	4	2	2,3	39-31-5027	5268B02
27.4	26	22.5	10	5	2,4,6,8,9	39-31-5017	5268B01
C	B	A	NO. OF CKTS.	NO. OF PINS	VOID CKT.	EDP NO.	ENG. NO.

F	REVISED (JC2000-0479)	T.Y.	00/1/19	材料	
E	REVISED (JC80242)	Y.M.	91/9/16	MATERIAL	
D	REVISED (JC70947)	Y.M.	91/4/25	仕上げ	
C	REVISED (JC70560)	H.J.	96/12/20	FINISH	
B	REVISED (J21086)	H.H.	92/11/25	適用電線範囲	
A	REVISED (J20196)	M.F.	92/3/5	WIRE RANGE	
Ø	RELEASED (J01071)	K.S.	90/10/9	被覆外径	
		H.H.		INS. RANGE	
		K.S.		DRAWN BY	CHK'D BY
		H.H.		K.I.OJO '90/10/9	T.YAMAGUCHI
		M.F.		APP'D BY	尺度
		M.F.		M.FUKUSHIMA	SCALE 5 : 1

角度 ANGLE	±3°
30以上 OVER	+0.3
10以上 30未滿 UNDER	+0.25
10未滿 UNDER	+0.2
一般公差 GENERAL TOLERANCES	

**molex** MOLEX-JAPAN CO.,LTD.  
日本モレックス株式会社

EDP NO. 39-31-5\*\*7

ENG. NO. SD-5268B\*

REV F

TITLE 名称  
2.5 LOW PROFILE WAFER  
ASS'Y 90° BEND