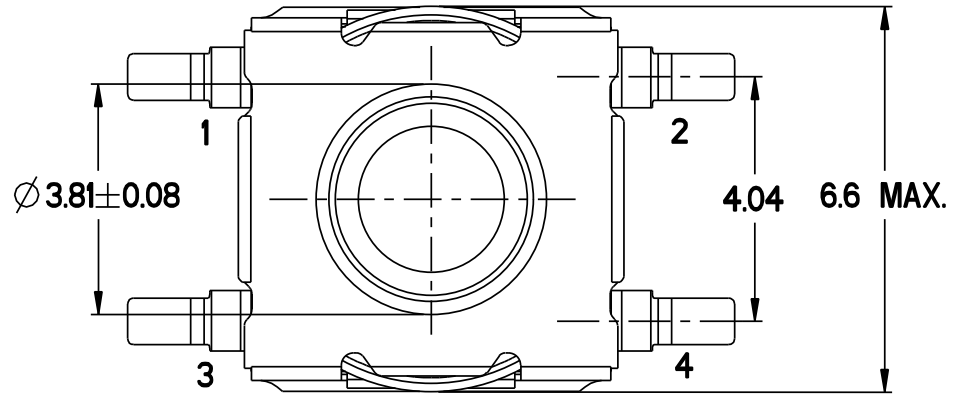
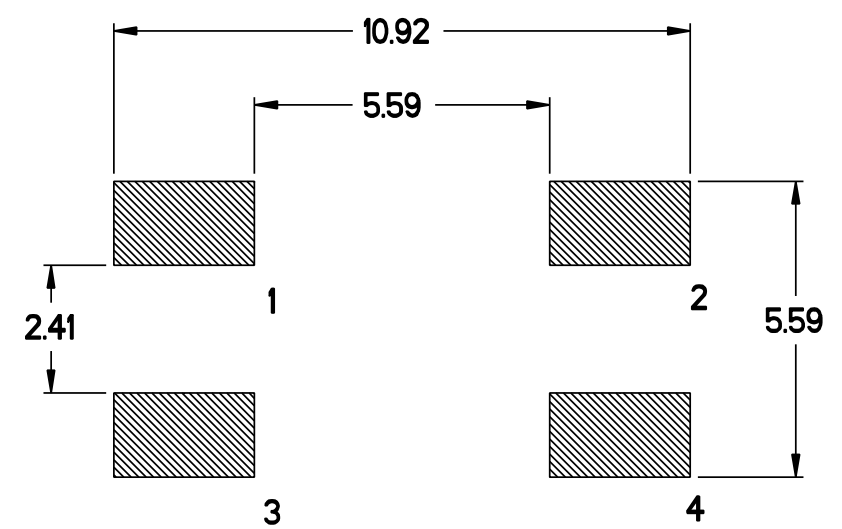


**FOR REFERENCE ONLY**  
 仅供参考  
**THIS PRINT WILL NOT BY UPDATED**  
 不作自动更新



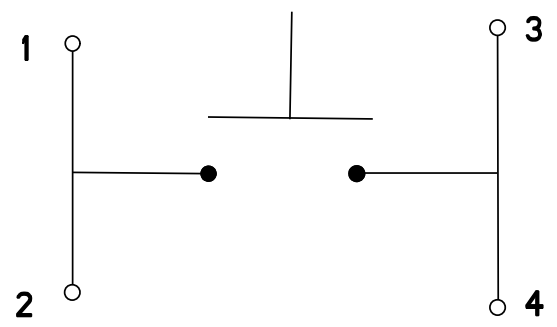
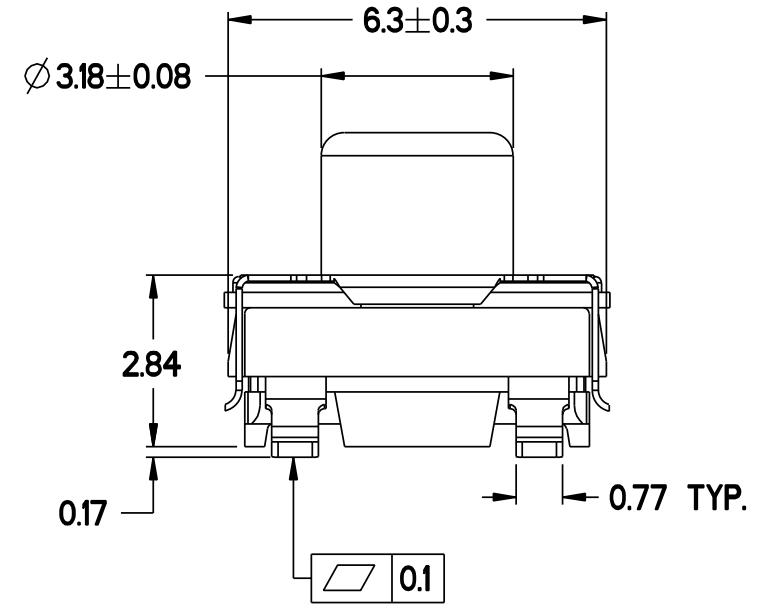
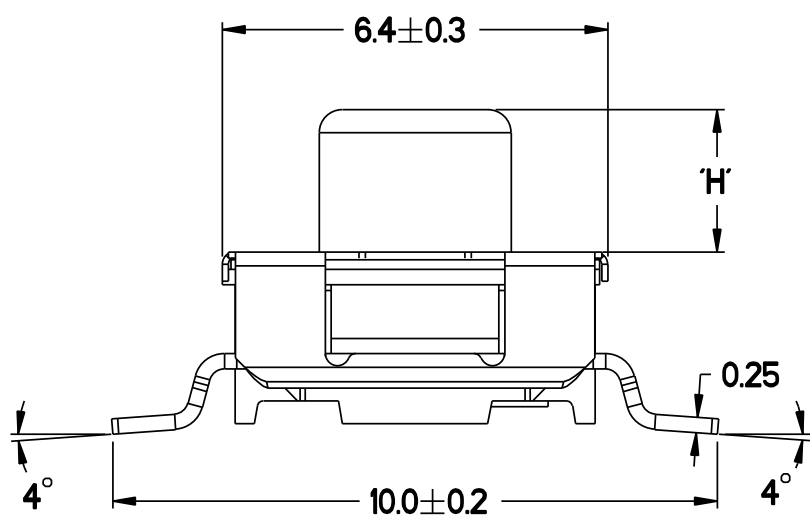
Reference	Designation	Plating	Dimension 'H'	Switching Force (N)
YT1015520FP LFS	KT11B0SM34LFS	SILVER	0	192 TO 288
YT1025520FP LFS	KT11B1SM34LFS	SILVER	0.64	
YT1035520FP LFS	KT11B2SM34LFS	SILVER	2.24	
YT102552MFP LFS	4086833Y02 (R02LFS)	SILVER	0.64	
YT103552MFP LFS	4085492Y01 (U01LFS)	SILVER	2.24	

LF version	Contact area (1 face)	Terminal area (2 faces)
LFS	0.5 um min Ag plate over 1.3 um min Nickel plate	0.2-0.6 um Ag plate all over 1.3 um Ni plate all over



**SUGGESTED PAD LAYOUT**

SCALE: 7:1



**SCHEMATIC**

TOLERANCE:  
 LINEAR: ± 0.12  
 ANGLUAR: ± 3°

<b>DO NOT SCALE</b>				PDM:			A3/B	
Drawn	CDY	04-Apr-06	Material:  Treatment:  Dimensions in: mm	 3rd ANGLE PROJECTION Surface Roughness Unless Specified	 <b>ITT Industries</b> Cannon Electronics (SZ) Co. Ltd. Toupandun Industrial Area, Jinda Cheng, Xiner Village, Shajing Town, Baoan District, Shenzhen City PRC 518125		Pro/E Generic Model	
Checked	KT	04-Apr-06					Title	
Engineer	CDY	04-Apr-06					<b>KT11BxSMLFx</b>	
Manufact.							Drwg. No. <b>CU_T1.M02.001_FP</b>	
Assembly			Cust Spec No:		Scale 8:1		Sheet 1 of 1	iss/rev
Quality			Ref:		-		-	-
Approvals	Sign	Date	This is issued in strict confidence on condition that it is not used as a basis for manufacture or sale and that it is not copied reprinted or disclosed to a third party either wholly or in part without the prior written consent of ITT Industries © 04-Apr-06					