

DETAILS

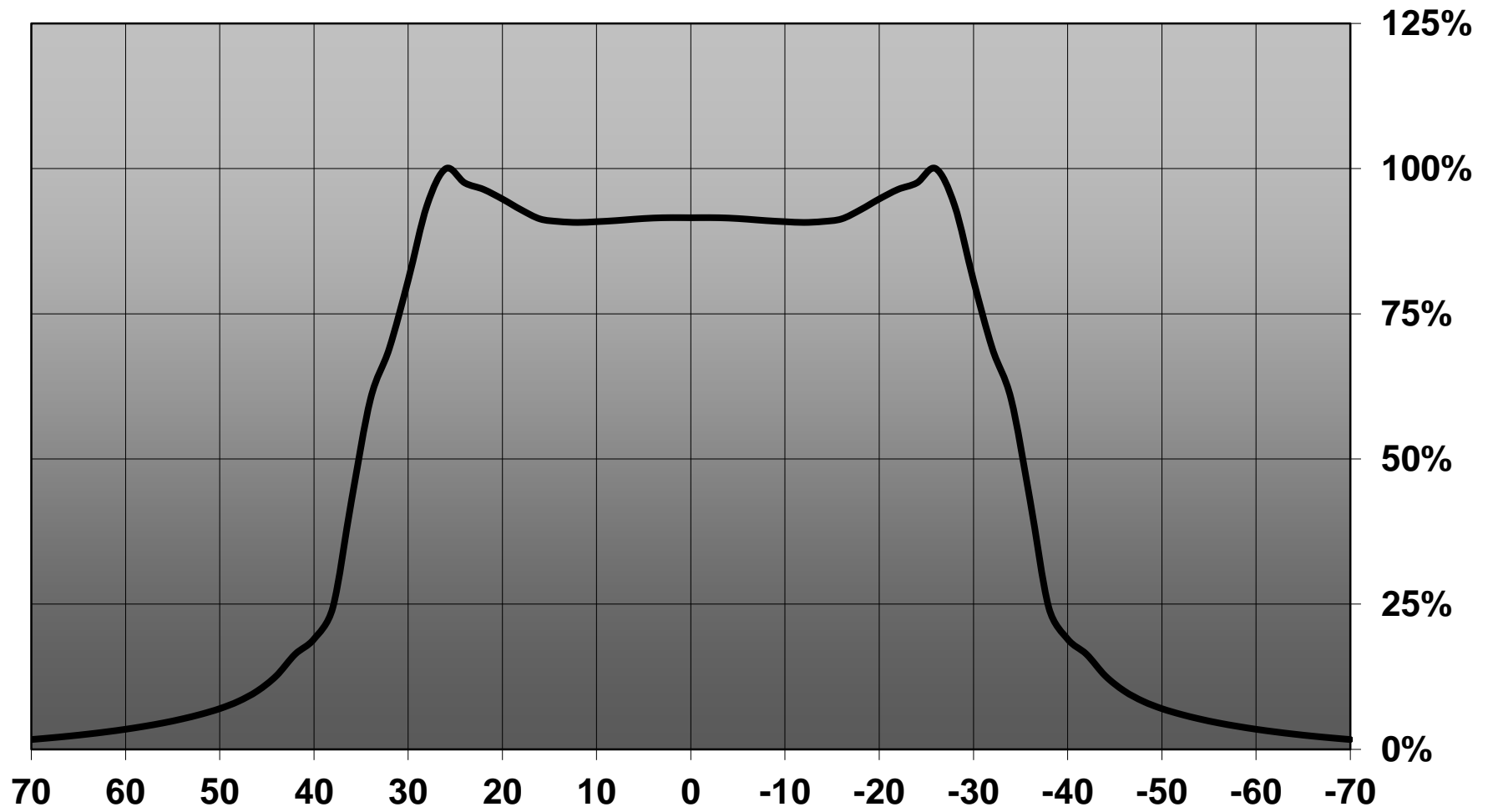
Product Number	CA13270_LAURA-SS-WAS
Family	Laura
Type	Assembly
Color	white
Diameter	21,6 x 21,6 mm
Height	12,9 mm
Style	square
Optic Material	PMMA
Holder Material	
Fastening	tape
Status	production ready
ROHS Compliant	Yes
Date Updated	25/02/2013



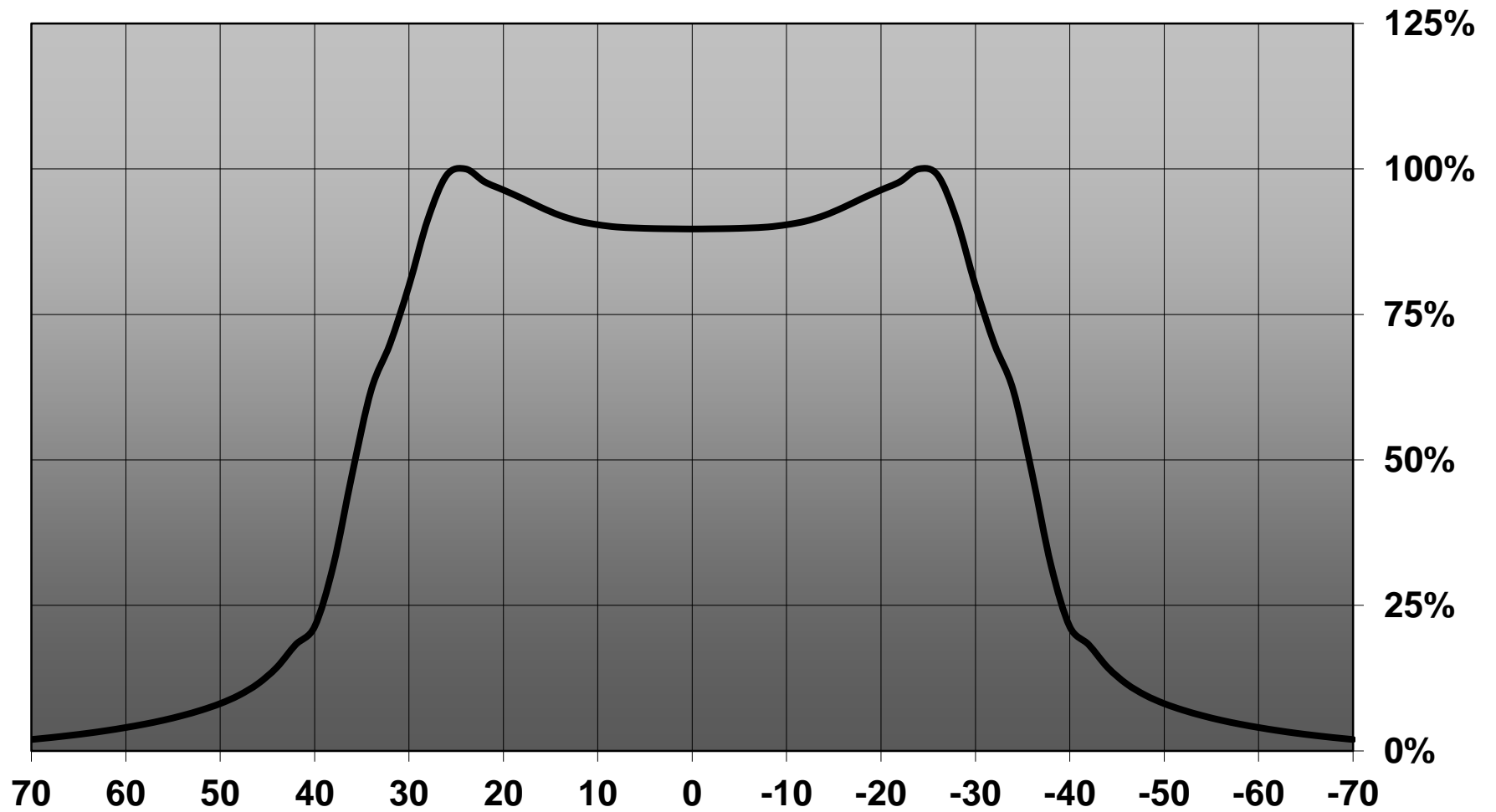
OPTICAL PROPERTIES

LED	Viewing Angle	Light Beam	Efficiency	cd/lm	Connector
LUXEON Rebel	Asymmetric deg	Asymmetric	92 %	13.300	-
LUXEON A	Asymmetric deg	Asymmetric	92 %	9.450	-

Relative intensity of CA12982_LAURA-REF-XW_(NCS19)



Relative intensity of CA12982_LAURA-REF-XW_(NVS19)



D

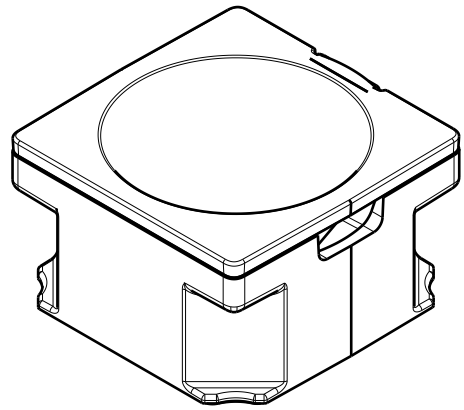
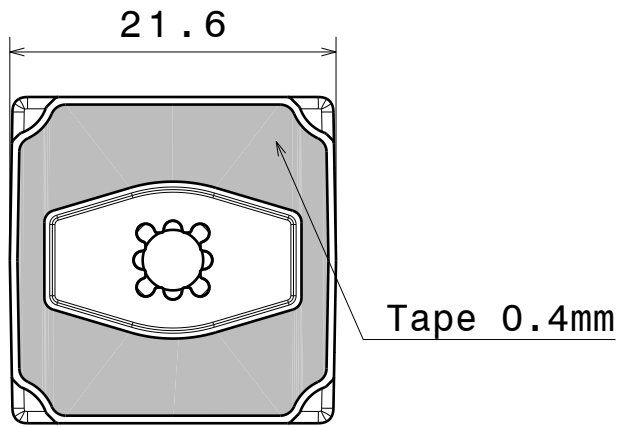
C

B

A

4

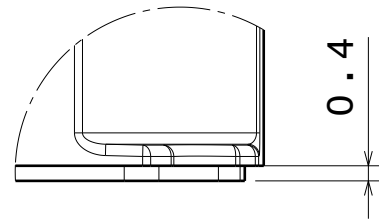
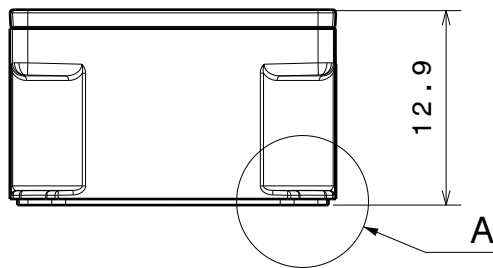
4



Isometric view
Scale: 2:1

3

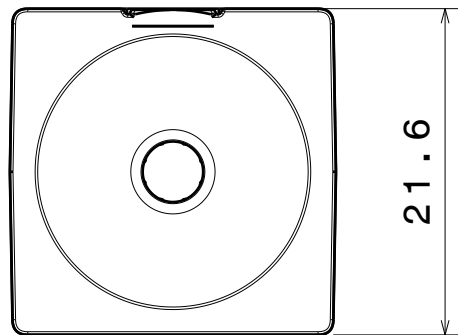
3



Detail A
Scale: 5:1

2

2



Materials

Reflector: PC, high reflective white
Holder: PC, black
Tape: PU Foam

This drawing is our property.
It can't be reproduced
or communicated without
our written agreement.



Ledil Oy
Salorankatu 10
FIN 24240 SALO
Finland

DRAWING TITLE

LAURA-REF-XW-N19

DRAWN BY

as

DATE

3.8.2012

CHECKED BY

-

DATE

-

DESIGNED BY

-

DATE

-

SIZE

A4

PART NUMBER

SCALE

2:1

WEIGHT

REV

001

SHEET

1/1

1

1

D

A

NOTE: The typical divergence will be changed by different color, chip size and chip position tolerance. The typical total divergence is the full angle measured where the luminous intensity is half of the peak value.