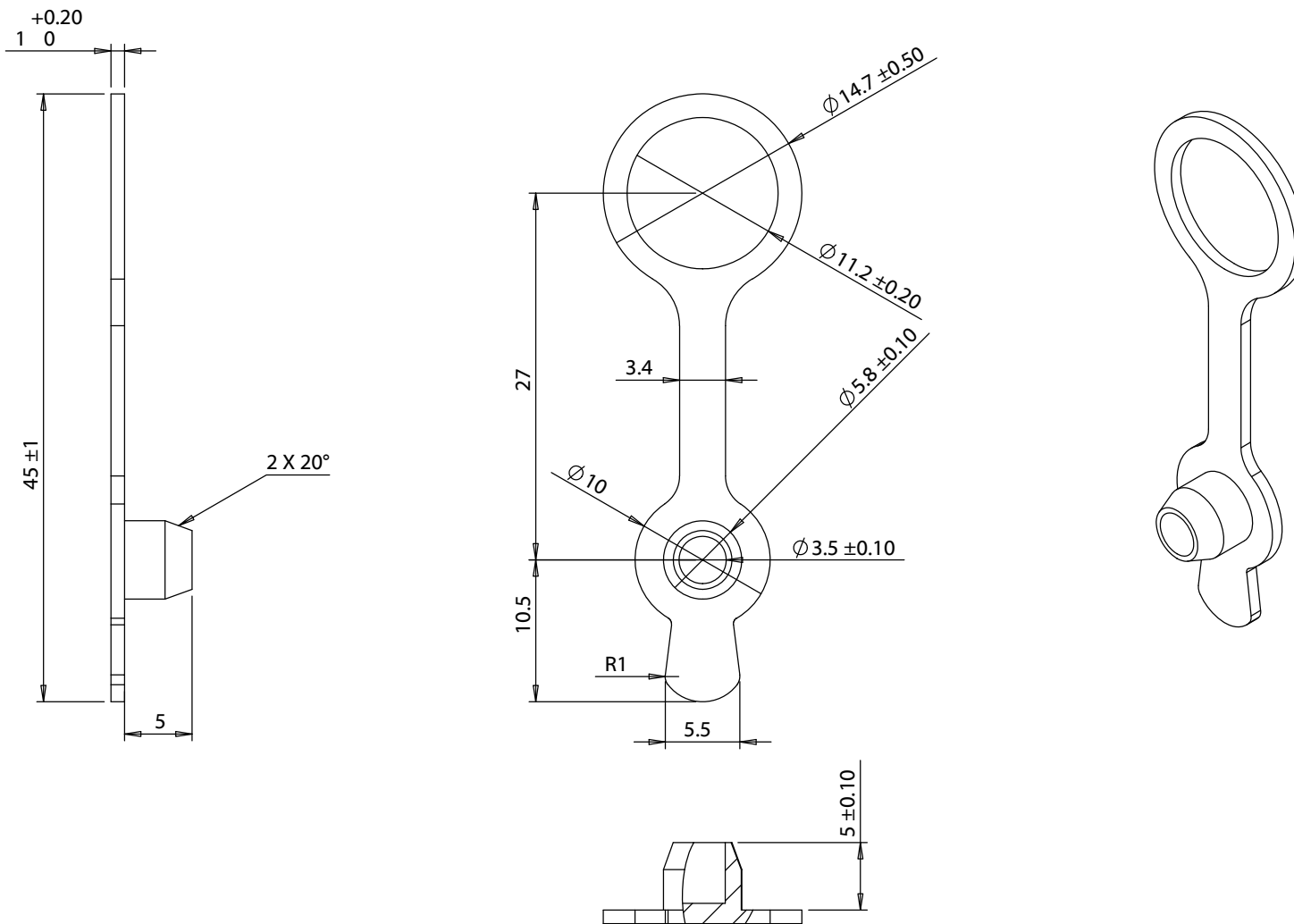


ITEM NO.	PART NUMBER	DESCRIPTION	QTY.	COMPONENT NOTES
1	55-00111	Dust cap, overmold snap fit, 5.5x2.0-2.5 mm	1	



Revision:	Date:	Description:	Prepared:	Notes:	<h1>TENSILITY</h1> <p>tel 1.541.323.3228 800 877.670.7118 fax 1.541.323.4202 web tensility.com</p>
A	7/8/2019	Initial release	Verified:	RoHS compliant Function test: no open, no short circuit, no intermittent	
			Dimensions are in millimeters. Tolerances: X: ± 0.3 mm X.X: ± 0.1 mm X.XX: ± 0.1 mm	Description: Dust cap, overmold snap fit, 5.5x2.0-2.5 mm	Size: A
					Part number: 55-00111
					Scale: 2:1
					Sheet 1 of 1

5

4

3

2

1