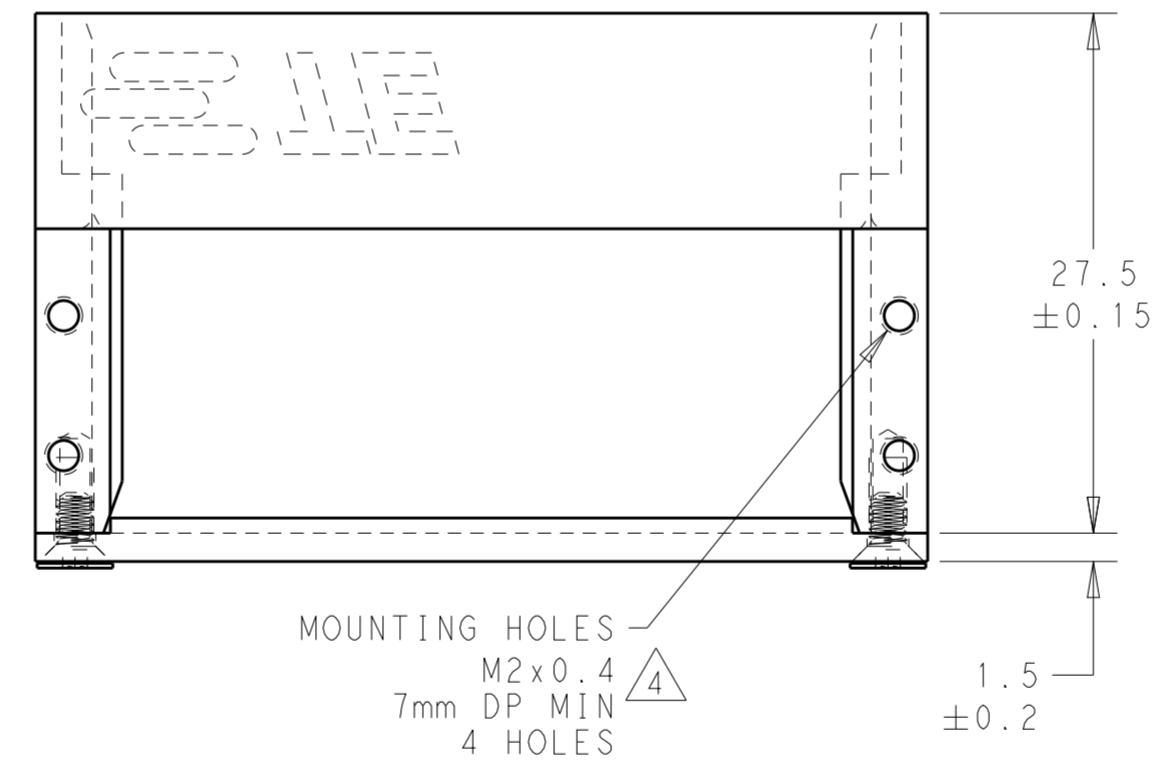
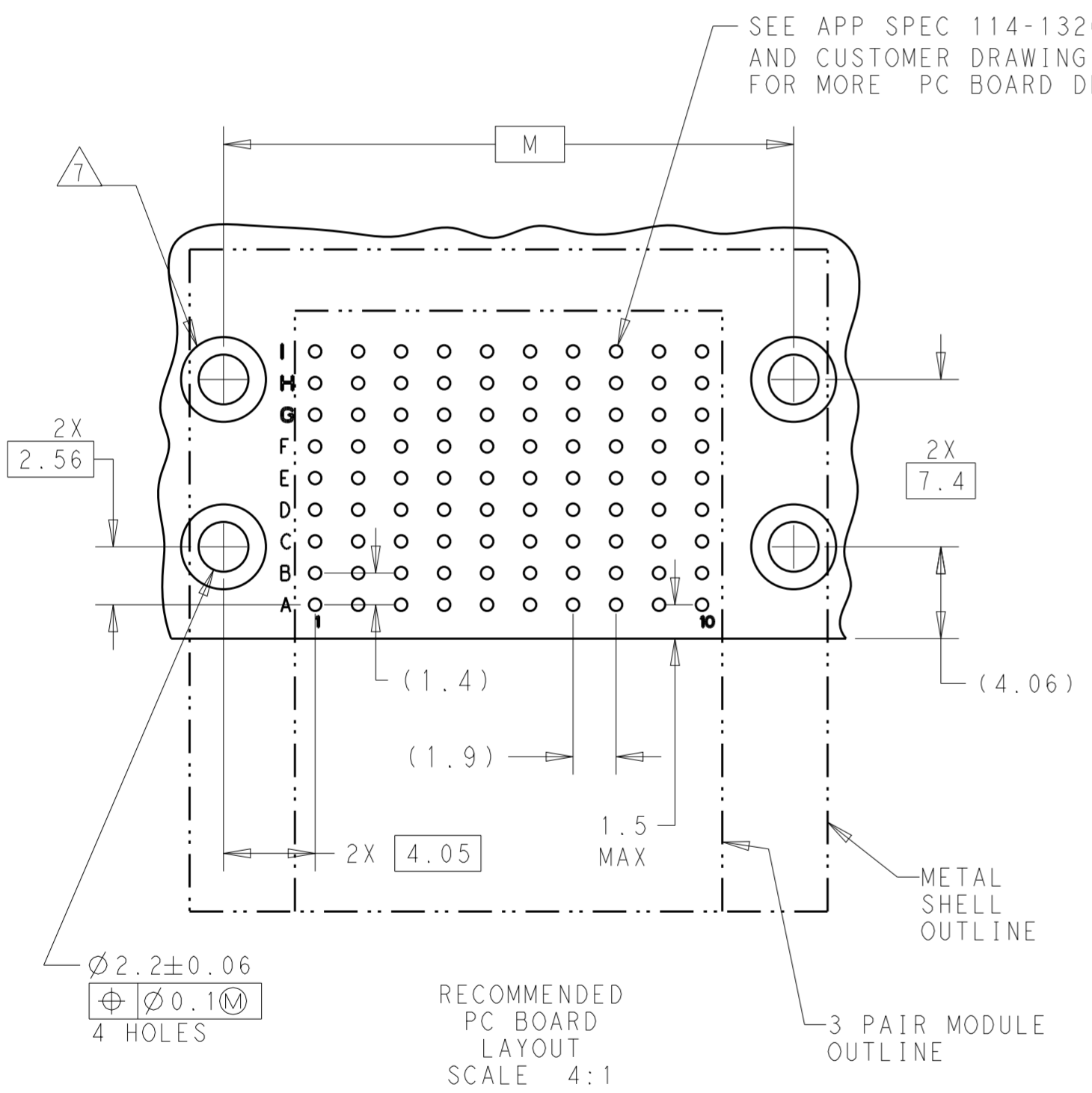
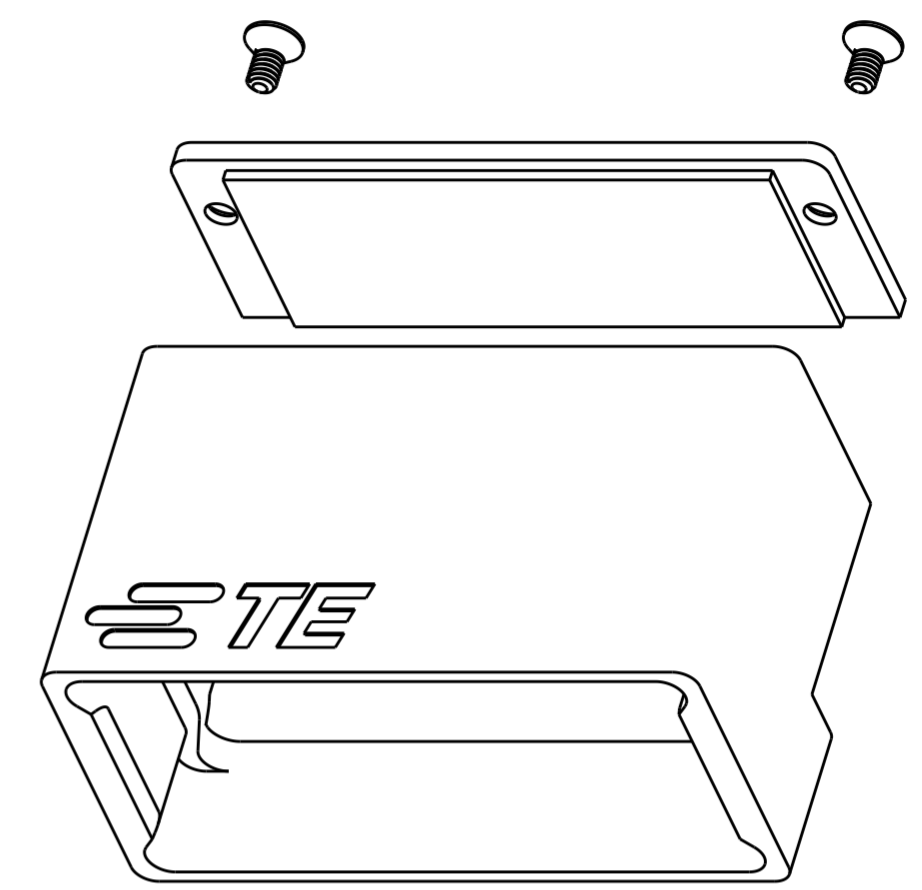
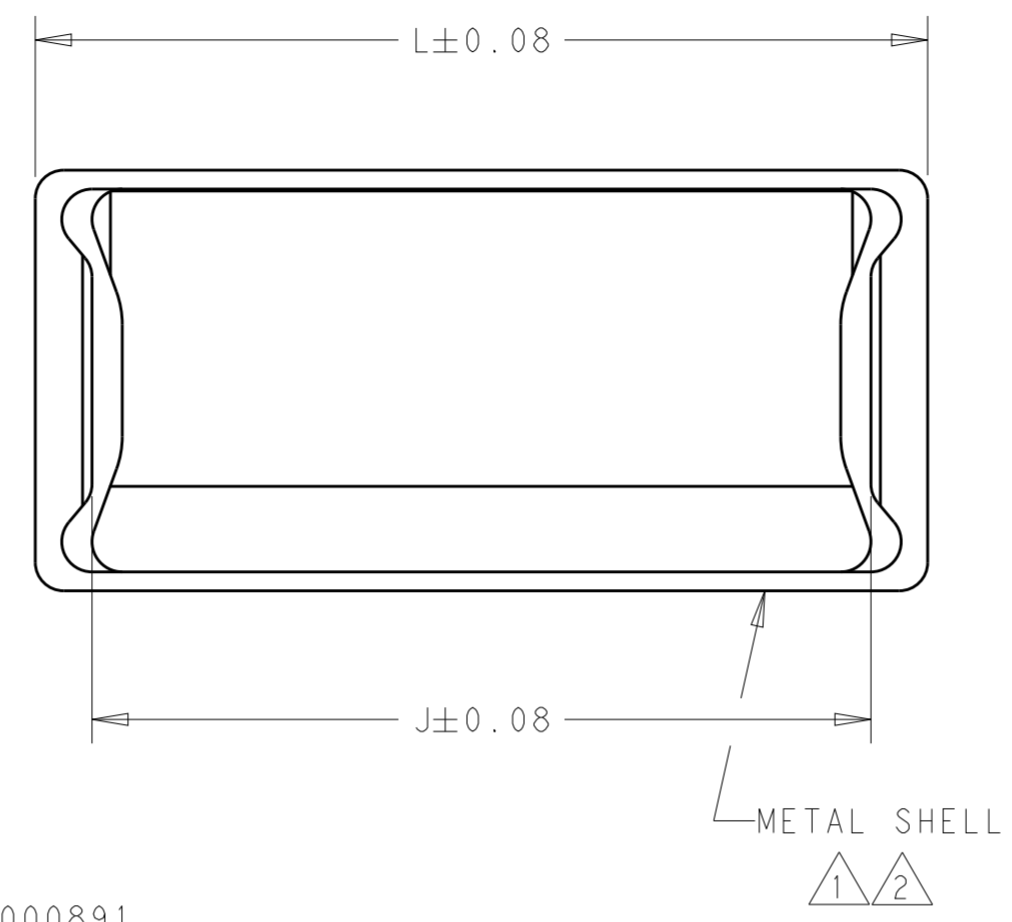
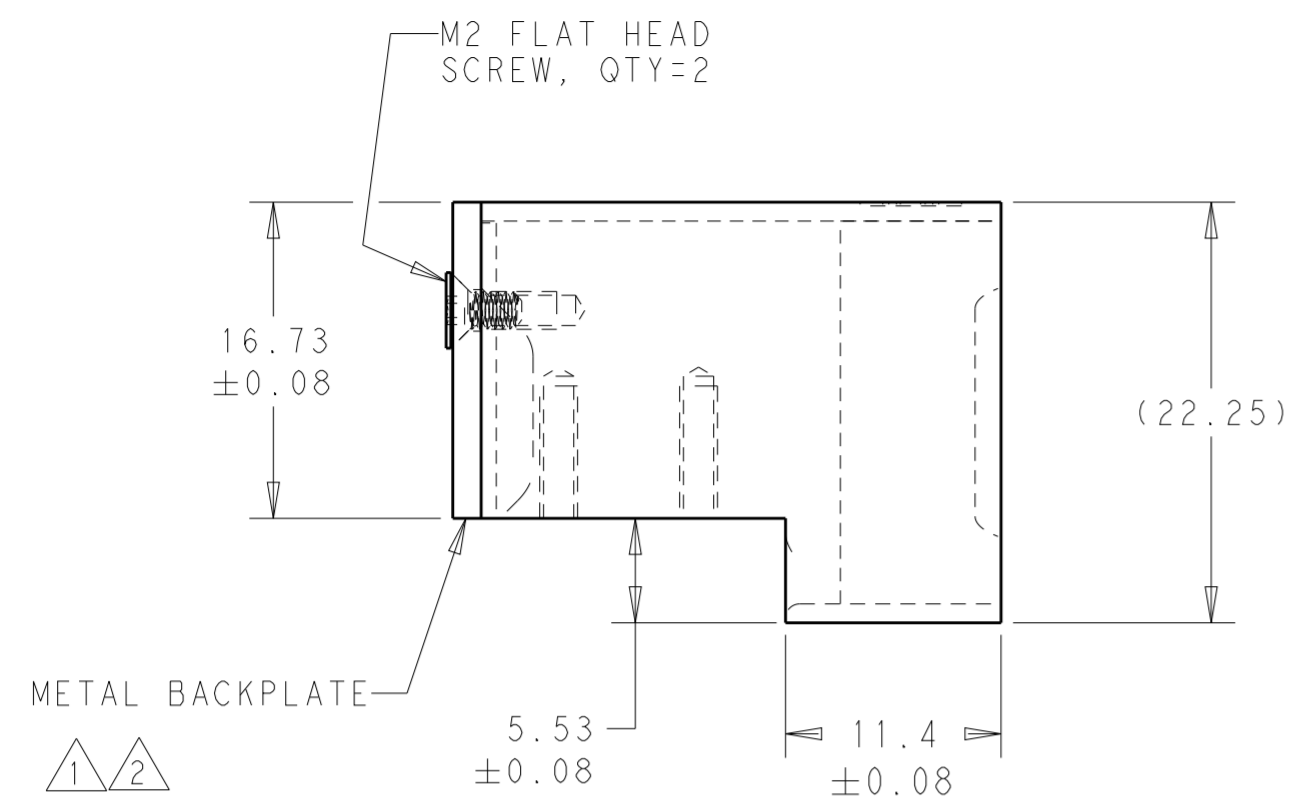


THIS DRAWING IS UNPUBLISHED. RELEASED FOR PUBLICATION 20
 © COPYRIGHT 20 BY - ALL RIGHTS RESERVED.

LOC		DIST		REVISIONS			
P	LTR	DESCRIPTION	DATE	DWN	APVD		
4		ADDED WEIGHTS, ANNULAR RINGS, AND NOTE 7	07AUG2012	NPR	NPR		
5		ADDED DIMENSION	30AUG2012	NPR	NPR		
6		UPDATED TO SHOW LOGO	03JAN2013	NPR	NPR		
7		CHANGED PCB LAYOUT DIM SCHEME	13MAR2013	NPR	NPR		



SCALE 2:1

- 1 MATERIAL: ALUMINUM, 6061, TEMPER T6
- 2 FINISH: TRIVALENT CHROMATE CONVERSION COATING PER MIL-DTL-5541, TYPE II, CLASS 3.
- 3. FOR USE WITH 3-PAIR FORTIS Zd CENTER MODULES 2000891, 2000903, 2102315, 2102316 ONLY (NOT INCLUDED).
- 4 PCB MOUNTING HARDWARE NOT INCLUDED. SCREW LENGTH DEPENDENT ON PCB THICKNESS
- 5. INSTRUCTION SHEET: 408-32056
- 6. PARTS UNASSEMBLED, SHOWN ASSEMBLED FOR ILLUSTRATION ONLY
- 7 ANNULAR RINGS PLATED AROUND ALL 4 MOUNTING HOLE LOCATIONS ON TOP AND BOTTOM OF PCB

THIS PRINT IS
PRELIMINARY
 UNQUALIFIED PRODUCT
 CONTACT PRODUCT ENGINEERING
 BEFORE USING THIS PRINT

120.2	123.2	117.2	35.3	60	2102077-6
101.2	104.2	98.2	31.2	50	2102077-5
82.2	85.2	79.2	27.1	40	2102077-4
63.2	66.2	60.2	23.0	30	2102077-3
44.2	47.2	41.2	19.0	20	2102077-2
25.2	28.2	22.2	14.9	10	2102077-1
M	L	J	WEIGHT (g)	NUMBER OF COLUMNS	PART NUMBER

THIS DRAWING IS A CONTROLLED DOCUMENT.	
DIMENSIONS: mm	TOLERANCES UNLESS OTHERWISE SPECIFIED:
0 PLC ±	1 PLC ±0.5
1 PLC ±0.13	2 PLC ±0.13
3 PLC ±0.013	4 PLC ±0.0001
4 PLC ±0.0001	ANGLES ±2°
MATERIAL: SEE CALLOUTS	FINISH: SEE CALLOUTS

DWN: B. D. YOHN 10MAR2011	STE TE Connectivity
CHK: B. D. YOHN 10MAR2011	
APVD: M. R. McALONIS 10MAR2011	
PRODUCT SPEC: 108-2409	
APPLICATION SPEC: 114-13267	NAME: KIT, FORTIS Zd, 3-PAIR, METAL SHELL AND BACKPLATE
WEIGHT: TABLE	SIZE: A2
Customer Drawing	CAGE CODE: 00779
SCALE: 3:1	DRAWING NO: C-2102077
SHEET 1 OF 1	RESTRICTED TO: -
REV 7	