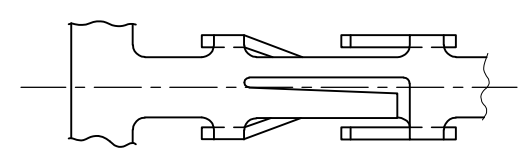
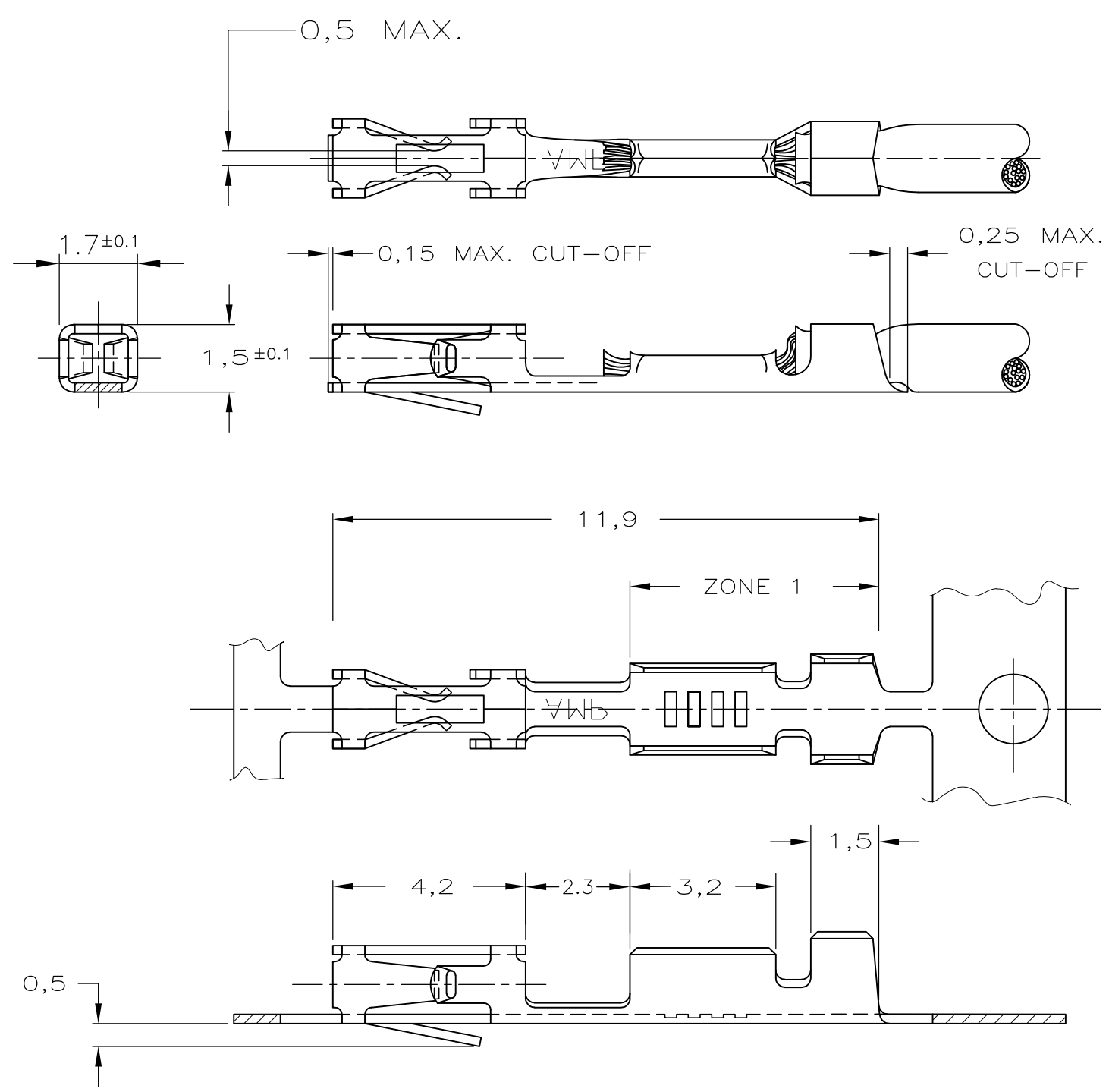


THIS DRAWING IS UNPUBLISHED. RELEASED FOR PUBLICATION
 © COPYRIGHT - By - ALL RIGHTS RESERVED.

LOC	DIST	REVISIONS					
		P	LTR	DESCRIPTION	DATE	DWN	APVD
-	-		G2	TOLERANCE CORRECTION	23JUL2013	KJK	RP

NOTES:

- 1 FOR MINI-APPLICATOR CRIMPING.
- 2 UNDERCOATING: 1,25µm Ni, SELECTIVE: 0,8µm Au, ZONE 1: 0,5µm MIN. GOLD FLASH.
- 3 UNDERCOATING: 1,25µm Ni, SELECTIVE: 0,8µm Au, REMAINDER: GOLD FLASH.
- 4 ZONE 1: BRIGHT TIN/LEAD PLATED.
- 5 PRE-TIN PLATED 2,0µm.
- 6 MATERIAL: PHOSPHOR BRONZE
- 7 OBSOLETE



WIRE RANGE :
 0,20-0,58 mm² 24-20 AWG
 INSULATION RANGE :
 1,6 MAX. DIA.

THIS DRAWING IS A CONTROLLED DOCUMENT.

DIMENSIONS: mm	TOLERANCES UNLESS OTHERWISE SPECIFIED: ±0.15
	0 PLC ± -
	1 PLC ± -
	2 PLC ± -
	3 PLC ± -
	4 PLC ± -
	ANGLES ± -
MATERIAL	FINISH
-	-

GOLD	3	167419-4	167418-4
GOLD	2	167419-2	167418-2 7
TIN	5	167419-1	167418-1
FINISH		LOOSE PIECE	PART NUMBER

DWN J.v.LIEMPT 03 DEC 98		STE TE Connectivity	
CHK J.v.LIEMPT			
APVD E.LEIJTENS		NAME	
PRODUCT SPEC		AMP MODU MOD.4 RECEPTACLE, S.C.P. STRIP	
SIZE	CAGE CODE	DRAWING NO	RESTRICTED TO
A3	00779	C-167418	-
CUSTOMER DRAWING		SCALE 8:1	SHEET 1 OF 1
		REV G2	