

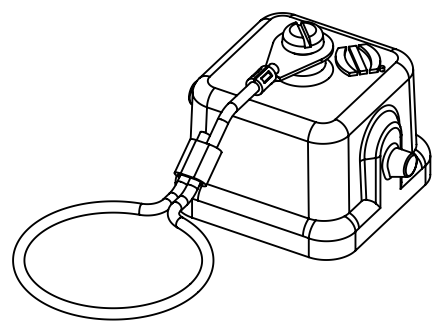
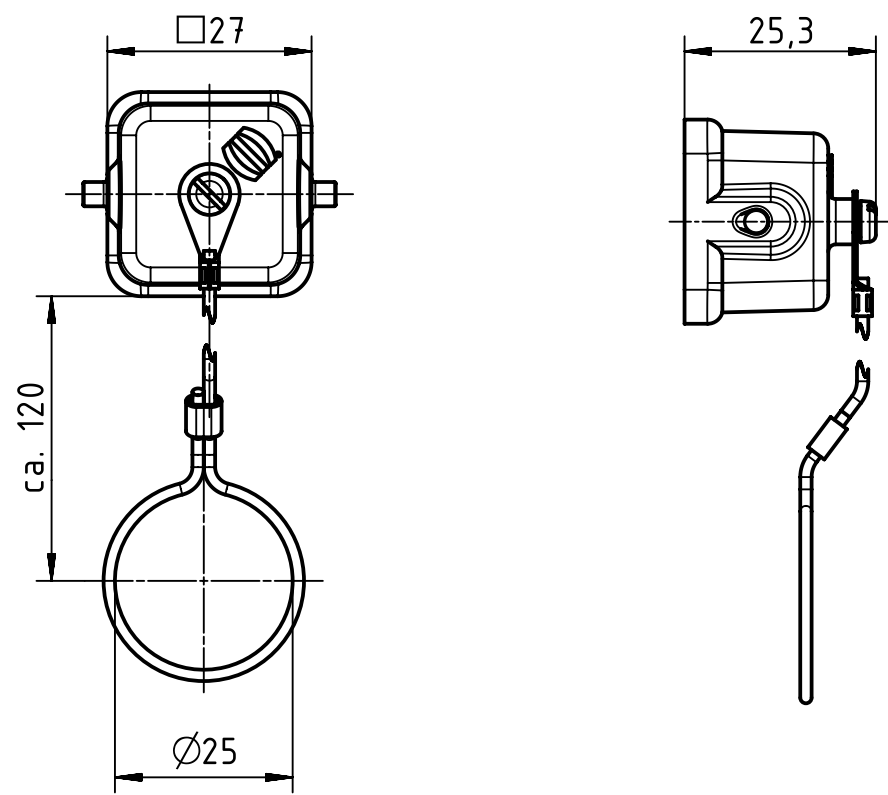
1 2 3 4 5 6

A

B

C

D



for housings with male insert

	All rights reserved Department EL PD	All Dimensions in mm Original Size DIN A4		Scale 1:1	Free size tol.	Ref.
		HARTING Electric GmbH & Co. KG D-32339 Espelkamp	Created by FINKEV	Inspected by GERB	Standardisation TIEMANNA	Date 2019-07-22
Title Han Ex-C for HCC Han 3A						Doc-Key / ECM-Nr. 100689473/UGD/002/C 500000148900
Type TB				Number 09 36 003 5410		Rev. C
						Page 1/1