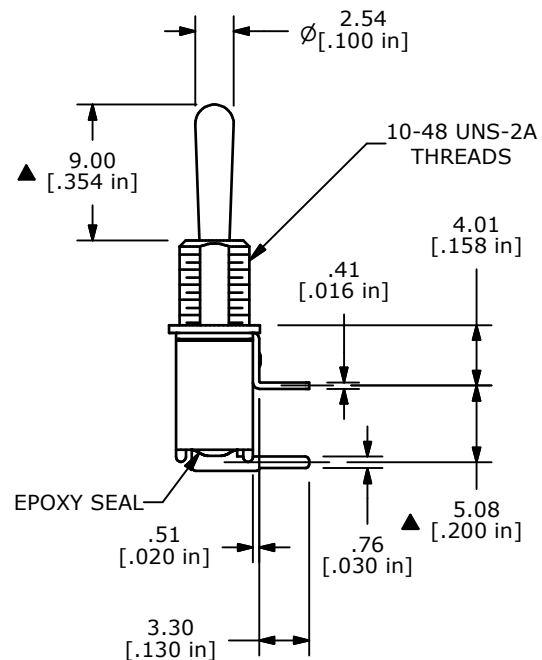
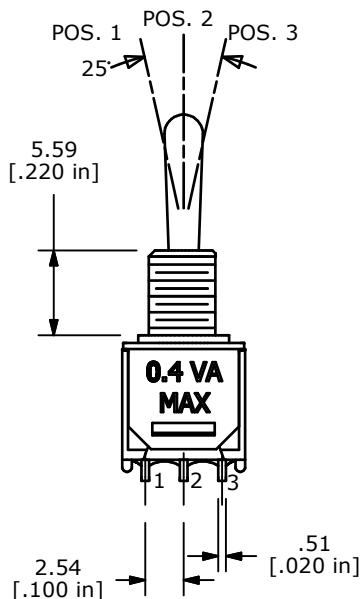
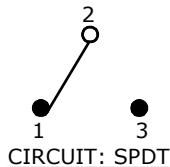


ISOMETRIC

SWITCH FUNCTION		
POS. 1	POS. 2	POS. 3
ON	OFF	ON
2-3	OPEN	2-1

(ON)=MOMENTARY



NOTE:

1. ALL DIMENSIONS IN MM [INCH]
2. GENERAL TOLERANCE: X.X=±0.4  
X.XX=±0.25
3. TERMINAL NUMBERS FOR REF ONLY
- ▲ 4. PLATING MATERIAL: GOLD
5. RATING: 0.4VA @ 20VAC OR VDC MAX.
6. ELECTRIC LIFE: 30,000 MAKE-AND-BREAK CYCLES AT FULL LOAD.
7. INSULATION RESISTANCE: 1,000 MΩ MIN.
8. DIELECTRIC STRENGTH: 1,000 V RMS @SEA LEVEL.
9. OPERATING TEMP.: -30°C to 85°C
10. ▲DENOTES CRITICAL PARAMETER.
11. 2002/95/EC (ROHS) COMPLIANT
12. HARDWARE TO BE SUPPLIED IN BULK:  
T200000-LOCK WASHER QTY-1  
T200002-LOCK RING QTY-1  
T200001-HEX NUT QTY-2

**E-SWITCH®**

B	20596	CHG ETCHED TEXT WAS "E"	05/08/12	drg
A	15886	RELEASED FOR PRODUCTION	3/22/06	PH
REV	PCR NO	DESCRIPTION	DATE	BY

TITLE 200MSP3T1B1M6REH				
SCALE 2:1	DATE 3/22/2006	DR PH	DWG ST205003	REV B

THE INFORMATION CONTAINED IN THIS DOCUMENT IS PROPRIETARY TO E-SWITCH AND IS NOT TO BE COPIED OR TRANSFERRED