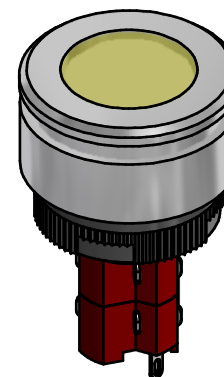
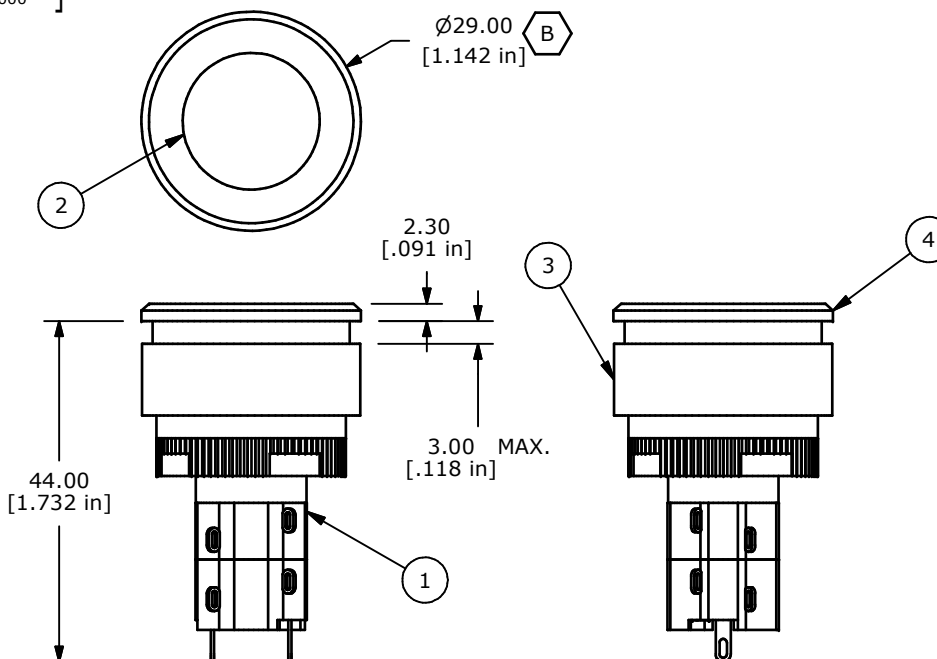
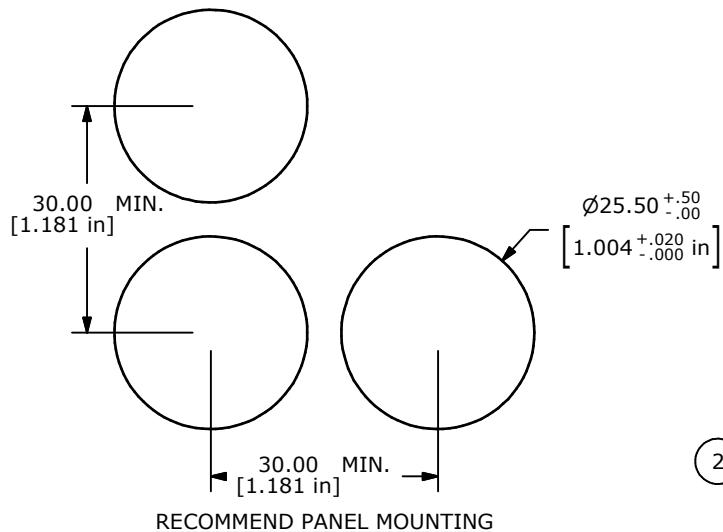


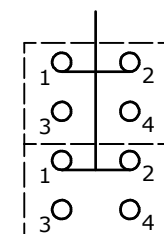
▲ Parts List

ITEM	QTY	PART NUMBER	DESCRIPTION
1	1	F060603	LASEEV12
2	1	F060202	25 MM GREEN LENS
3	1	F051705	V3 FLUSH MOUNT RETAINER
4	1	F051704	V3 FLUSH MOUNT BEZEL
5	1	F050416	LED 6VDC GREEN



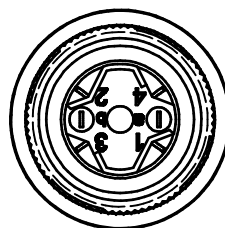
ISOMETRIC

- NOTES:
- ALL DIMENSIONS IN MM [INCH].
 - GENERAL TOLERANCE: 0.0 ± 0.4
 0.00 ± 0.25
 - TERM. NOS. FOR REF. ONLY.
 - RATING: 5A @250VAC
8A @125VAC
0.2A @250VDC
6A @24VDC
 - INSULATION: 1,000 M Ω MIN.
 - DIELECTRIC STRENGTH: 2000V FOR 1 MIN.
 - SEALED TO IP65.
 - TRAVEL: 3.0MM FULL TRAVEL, 2.0MM LATCH
 - ELECTRICAL LIFE: >50,000 CYCLES
 - OPERATING TEMP: -25C TO +55C
 - PANEL THICKNESS: 0.5MM TO 3.0MM
 - LAMP VOLTAGE: LED 6V DC GREEN
 - ▲ DENOTES CRITICAL PARAMETER.
 - PACKAGE: BOX/20 PCS PER.
 - 2002/95/EC (ROHS) COMPLIANT



a ○ ○ ○ b (+)
DPDT

▲ CONTACT CONFIGURATION



B	21026	29.00 WAS 30.00	2/13/13	EBP
A	18094	RELEASE FOR PRODUCTION	5/15/08	BLR
REV	PCR NO	DESCRIPTION	DATE	BY

TITLE LASEEV32HGRNGRN				
SCALE 1:1	DATE 5/15/2008	DR BLR	DWG XF0749P	REV B

THE INFORMATION CONTAINED IN THIS DOCUMENT IS PROPRIETARY TO E-SWITCH AND IS NOT TO BE COPIED OR TRANSFERRED