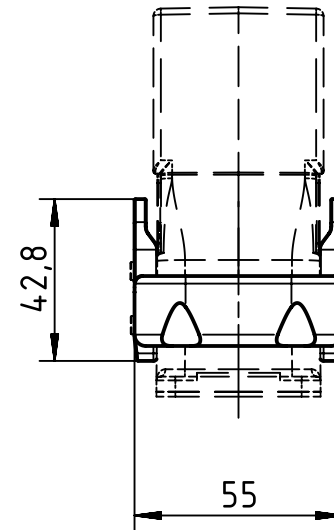
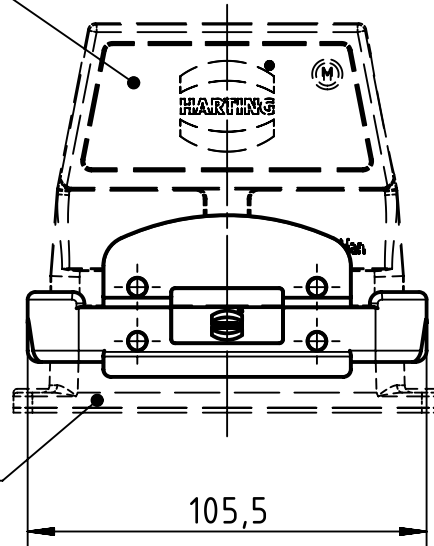
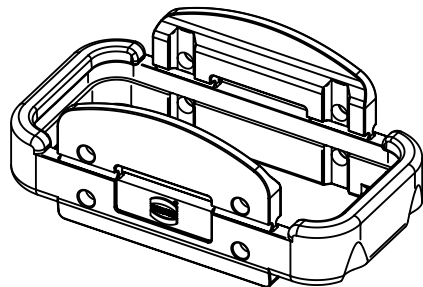



for Han B standard hoods  
with 2 lever locking system



for Han B housing bulkhead mounting,  
housing surface mounting  
and hood cable to cable  
with 2 lever locking system



	All rights reserved Department EL PD - DE	All Dimensions in mm Original Size DIN A4		Scale 1:2	Free size tol.	Ref. Sub.
		Created by RULLKOETTER	Inspected by SCHNIEDER	Standardisation TIEMANNA	Date 2013-11-13	State Final Release
HARTING Electric GmbH & Co. KG D-32339 Espelkamp		Title Han Hood Link 16B w/o seal			Doc-Key / ECM-Nr. 100544719/UGD/001/A 500000065052	
		Type TB	Number 09 30 016 9801		Rev. A	Page 1/1