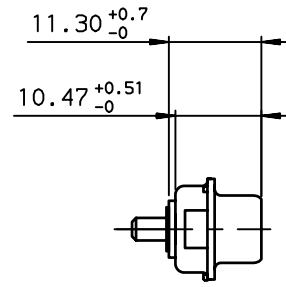
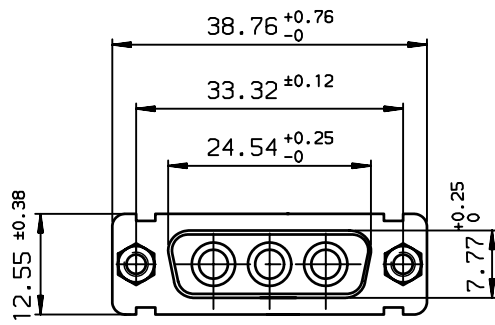
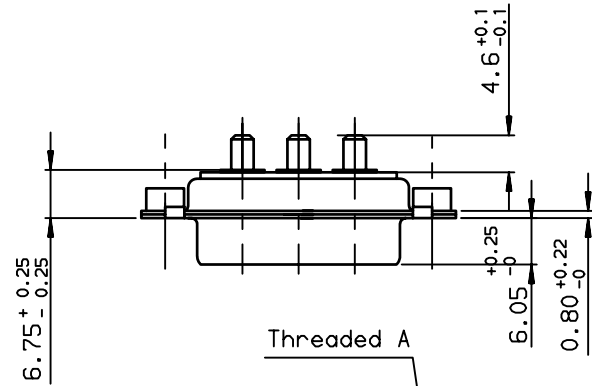


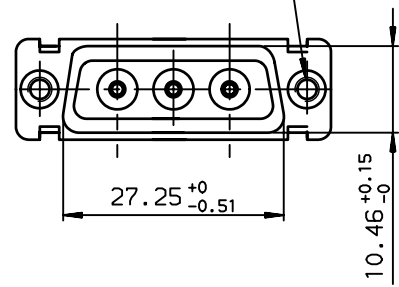
A



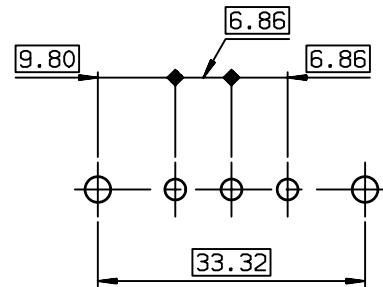
B



C



LAYOUT DIMENSIONS (after plating)
CONNECTOR SIDE VIEW



DA03W3S300A30LF	UNC 4.40
DA03W3S300A40LF	UNC 4.40
DAL3W3S300A30LF	M3
DAL3W3S300A40LF	M3
PART NUMBER	Threaded A

GENERAL CHARACTERISTICS AND ROHS INFORMATIONS:
SEE DRAWING C01-8639-0001

European Views

Copyright FCI.

D

rev	ecn no	dr	date
A	LS05-0106	MPE	2005/11/22
B	LS06-0095	LGO	2006/06/17
-	-	-	-
-	-	-	-
-	-	-	-
-	-	-	-

www.fciconnect.com		surface ISO 1302	tolerance std ISO 406 ISO 1101	projection mm	size A3	Scale 1.5		
Dr PEISSON 2005/11/22		TOLERANCES UNLESS OTHERWISE SPECIFIED				ECN LS06-0095		
Eng PEISSON 2005/11/22	ANGULAR	LINEAR	0.X ±0.1				0.XX ±0.1	0.XXX ±0.1
Chr LEGARE 2005/11/22	0.XX ±2'							
Appr LEGARE 2005/11/22	Product family		D-SUB	Spec ref -				
		SOCKET CONNECTORS SUB D WITH POWERS CONTACTS			title C01-8639-2281	Rev. B		
catalog no		-		CUSTOMER sheet 1 of 1				