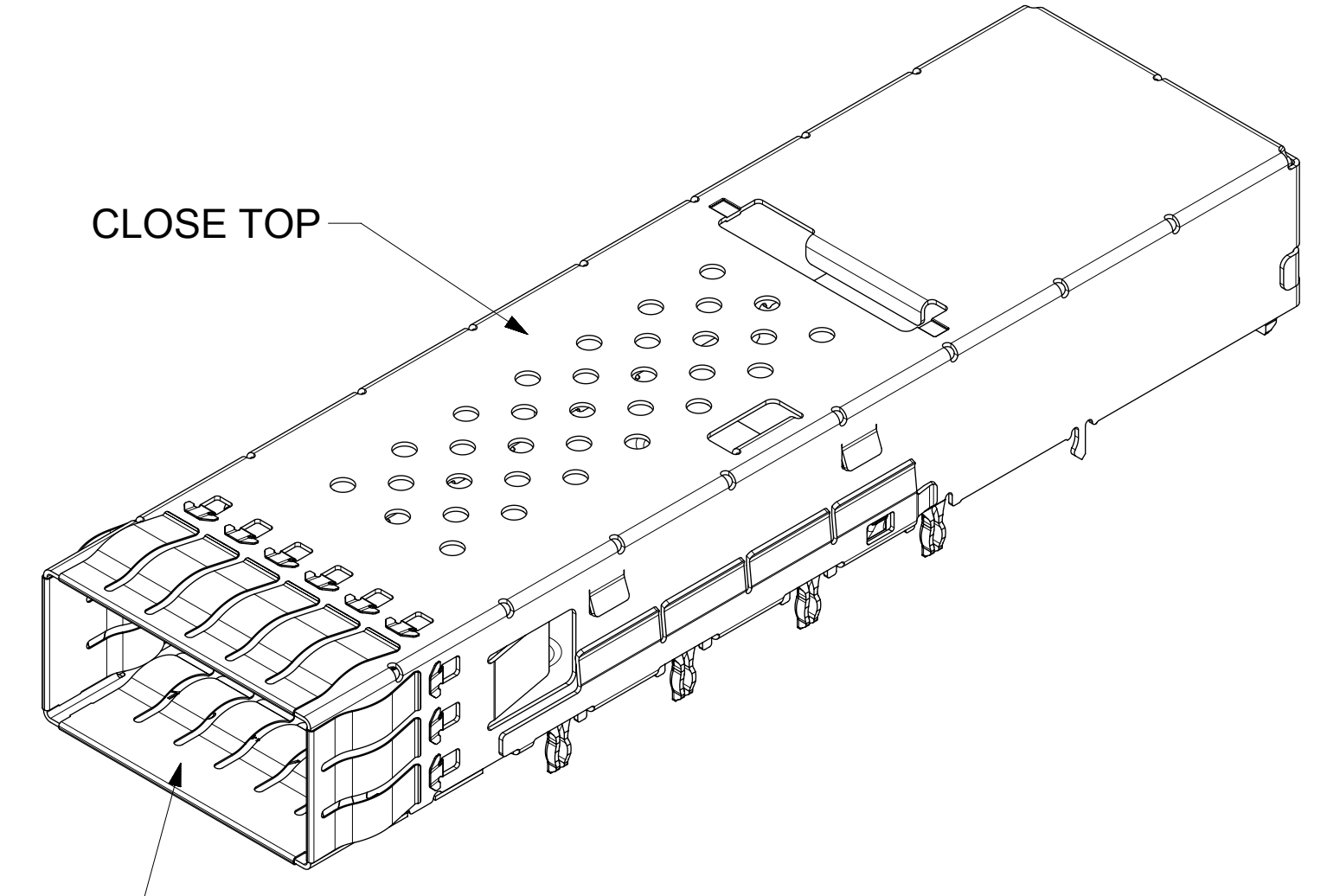
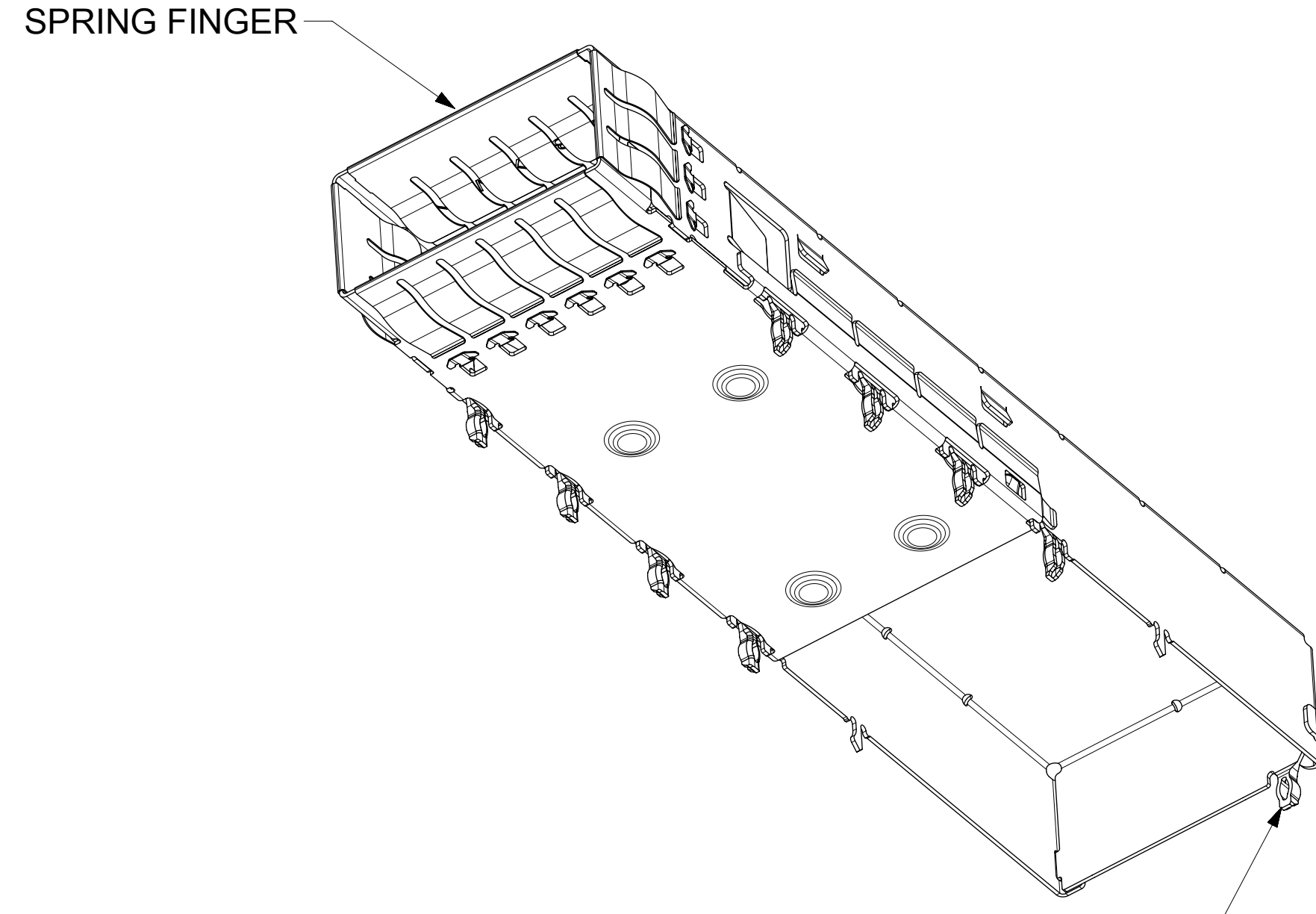
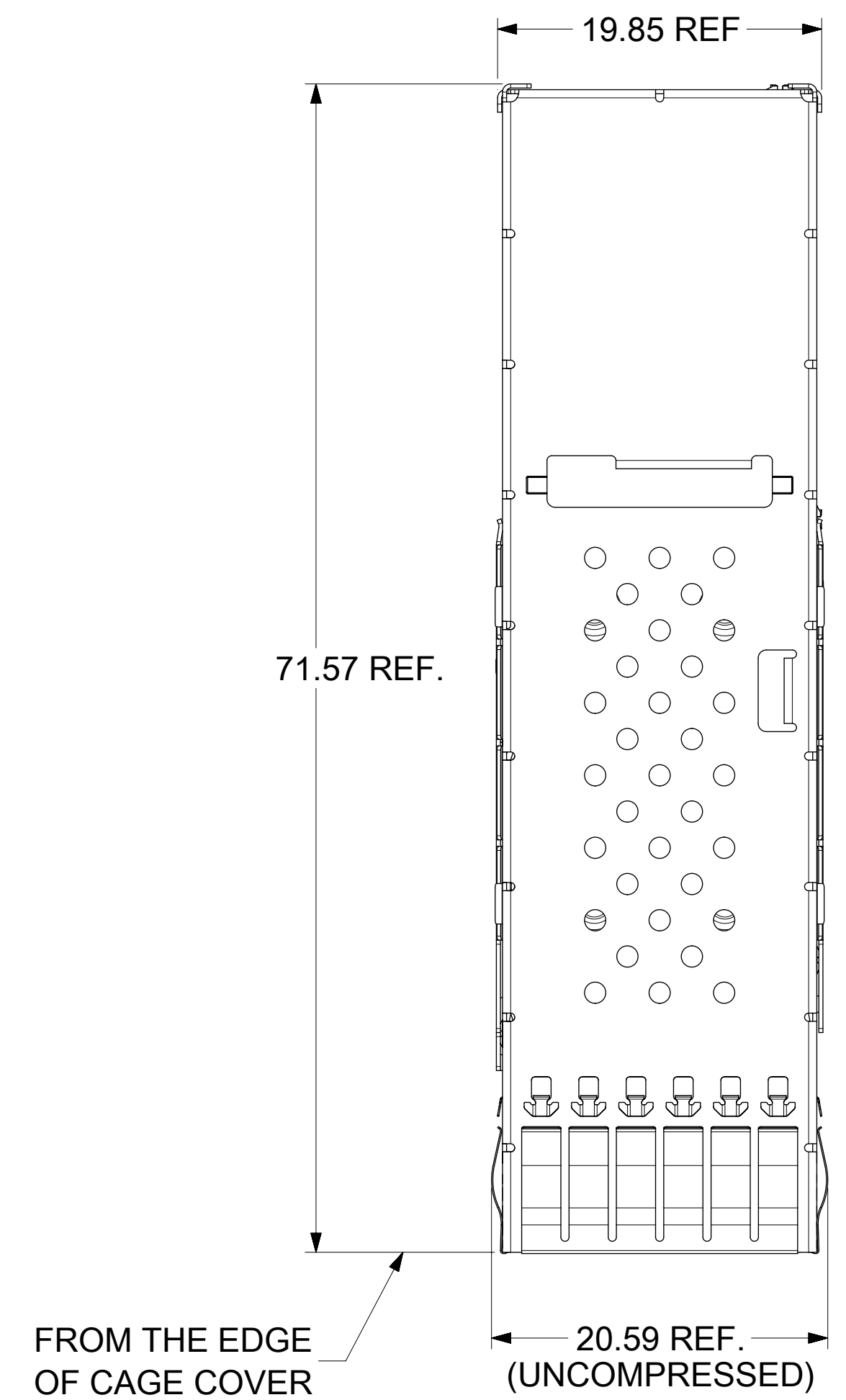


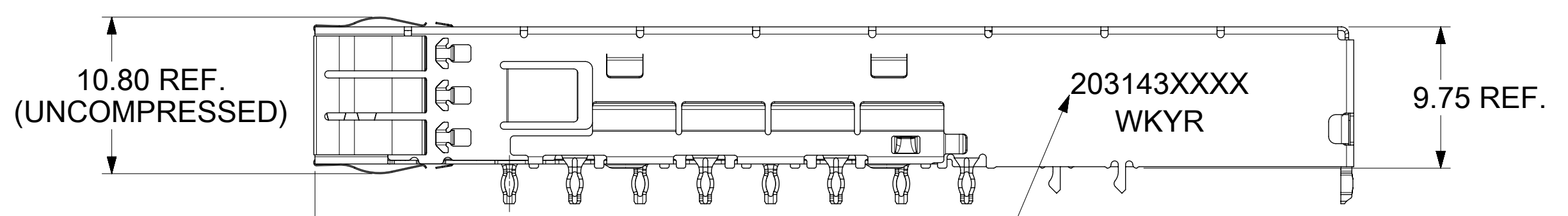
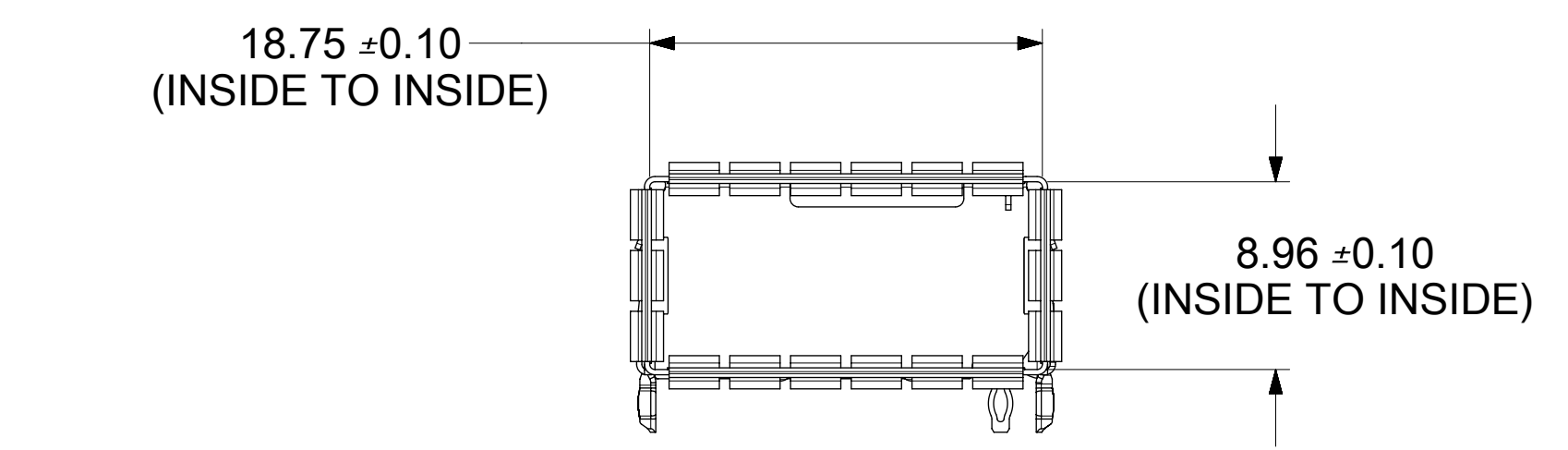
BASE CAGE DETAILS

2031431244 SHOWN



DIMENSIONS OF EACH INNER CAGE DESIGNED TO FUNCTION WITH QUAD SMALL FORM-FACTOR (zQSFP+ & QSFP-DD) TRANSCEIVER

REAR LEGS (OPTIONAL)
(SEE TABLE ON SHEET 3)



P/N AND WEEK/YEAR DATE CODE TO BE PRINTED ON SIDE OF COMPLETED CAGE ASSEMBLY APPROXIMATELY AS SHOWN. SEE TABLE BELOW FOR DATE CODE INFORMATION.

- NOTES:
- MATERIAL: CAGE: STAINLESS STEEL
SPRING FINGERS: STAINLESS STEEL
HEAT SINKS: ALUMINUM(BLACK ANODIZATION)
HEAT SINK CLIP: STAINLESS STEEL
 - DRAWING APPLIES TO ALL P/N'S SHOWN ON PAGE 3
 - DURING FINAL INSPECTION, CAGE LEG LOCATIONS AND STRAIGHTNESS MUST BE CHECKED USING APPROPRIATE GO - NO GO GAGE
 - DURING FINAL INSPECTION, CAGE MUST BE INSPECTED TO MAKE SURE LEG CONFIGURATIONS AND PART NUMBERS ARE CORRECT, REFER TO SHEETS 2 AND 3.
 - PARTS TO BE INSPECTED PER MOLEX COSMETIC SPEC WI-HP-7-2774 (CLASS B UNLESS OTHERWISE SPECIFIED)
 - PRESS-FIT LEGS 2.44mm LONG -
1.57mm MINIMUM PCB THICKNESS FOR SINGLE SIDED USE.
2.70mm MINIMUM PCB THICKNESS FOR BELLY TO BELLY USE.
 - NO RoHS EXEMPTIONS

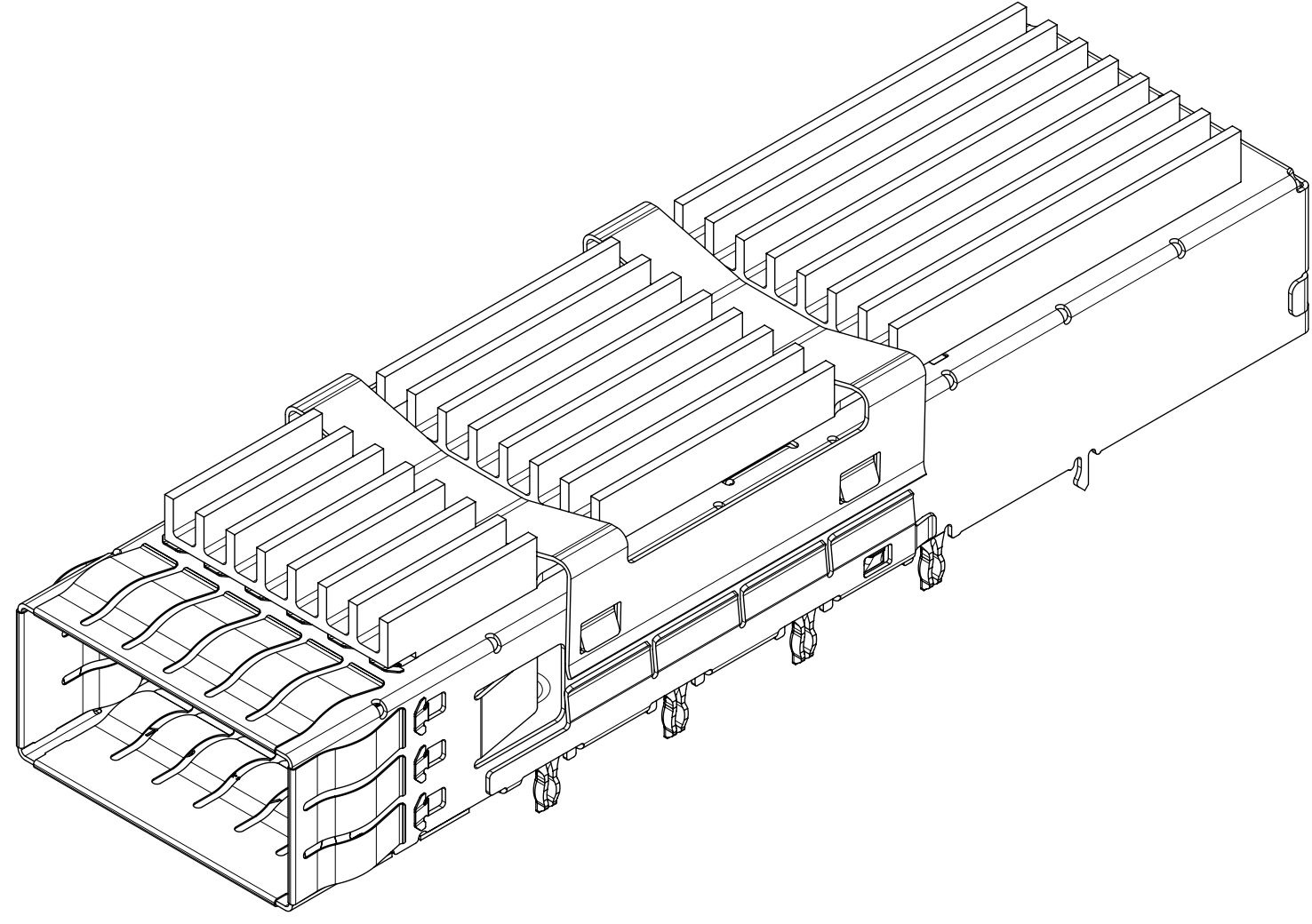
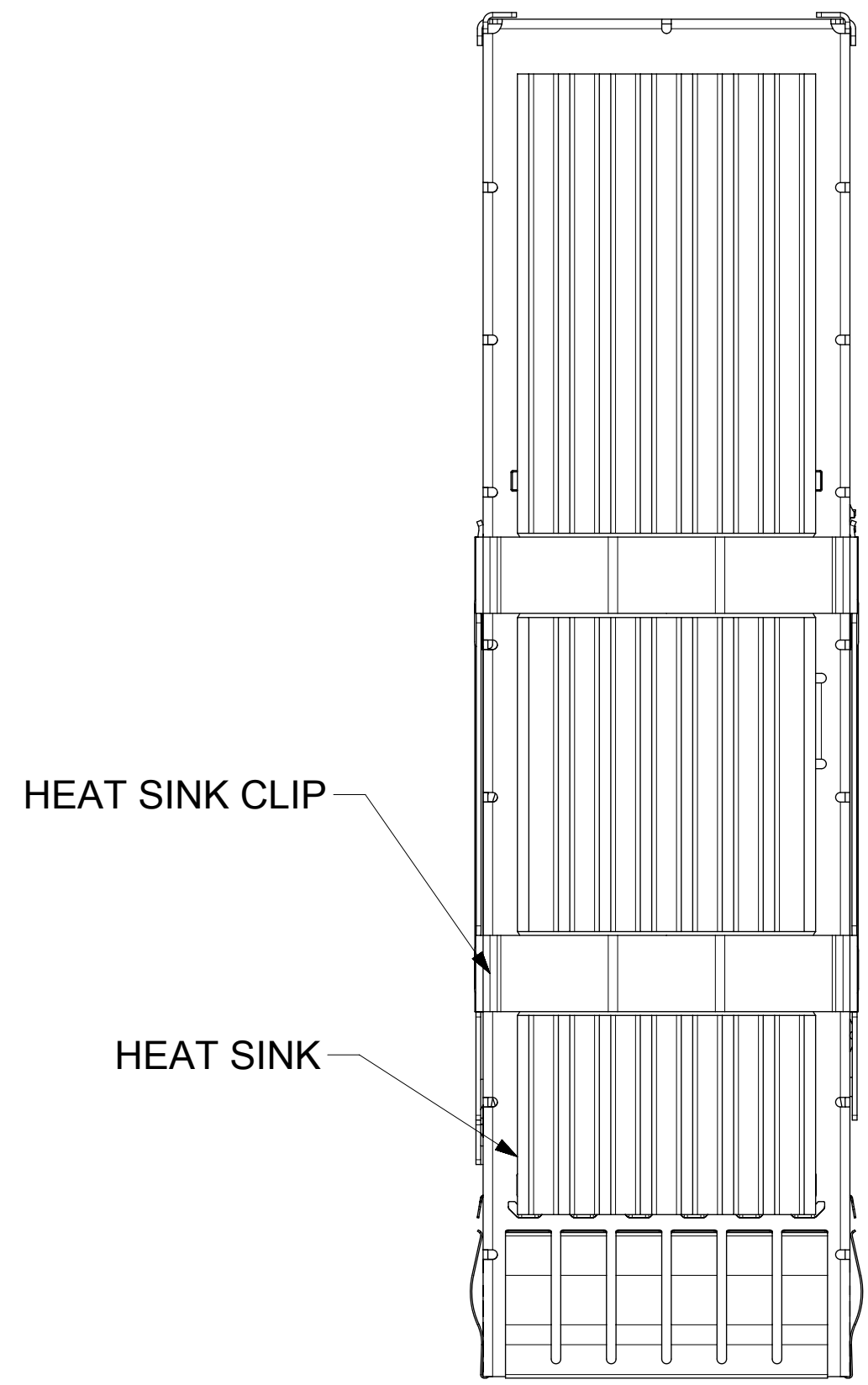
WK	WEEK OF THE YEAR 01 THRU 52 OR 53 (EXAMPLE: 01= FIRST WEEK OF YEAR, 52 OR 53 = LAST WEEK OF YEAR)
YR	17, 18, 19 ETC.. (EXAMPLE: YEAR 2017= 17)

THIS DRAWING CONTAINS INFORMATION THAT IS PROPRIETARY TO MOLEX ELECTRONIC TECHNOLOGIES, LLC AND SHOULD NOT BE USED WITHOUT WRITTEN PERMISSION

DIMENSION UNITS mm	SCALE 3:1	CURRENT REV DESC: SEE P/N TABLE		molex				
GENERAL TOLERANCES (UNLESS SPECIFIED)		EC NO: 173798						QSFP-DD 1X1 CAGE ASSY SF WITH FIN H/S OPTIONS
ANGULAR TOL ± 2.0°	4 PLACES ±	DRWN: PGSHETTY	2018/02/01	PRODUCT CUSTOMER DRAWING				
3 PLACES ±	3 PLACES ±	CHK'D: LLU20	2018/03/22	DOCUMENT NUMBER				
2 PLACES ± 0.13	2 PLACES ± 0.13	APPR: RCHEN08	2018/03/23	DOC TYPE DOC PART REVISION				
1 PLACE ± 0.25	1 PLACE ± 0.25	INITIAL REVISION:		2031431201				
0 PLACES ±	0 PLACES ±	DRWN: LLU20	2017/07/17	PSD ASY C				
DRAFT WHERE APPLICABLE MUST REMAIN WITHIN DIMENSIONS		APPR: RCHEN08	2017/08/15	MATERIAL NUMBER		CUSTOMER		SHEET NUMBER
THIRD ANGLE PROJECTION		DRAWING	SERIES	SEE P/N TABLE		GENERAL MARKET		1 OF 7

CAGE ASSEMBLY OPTIONS

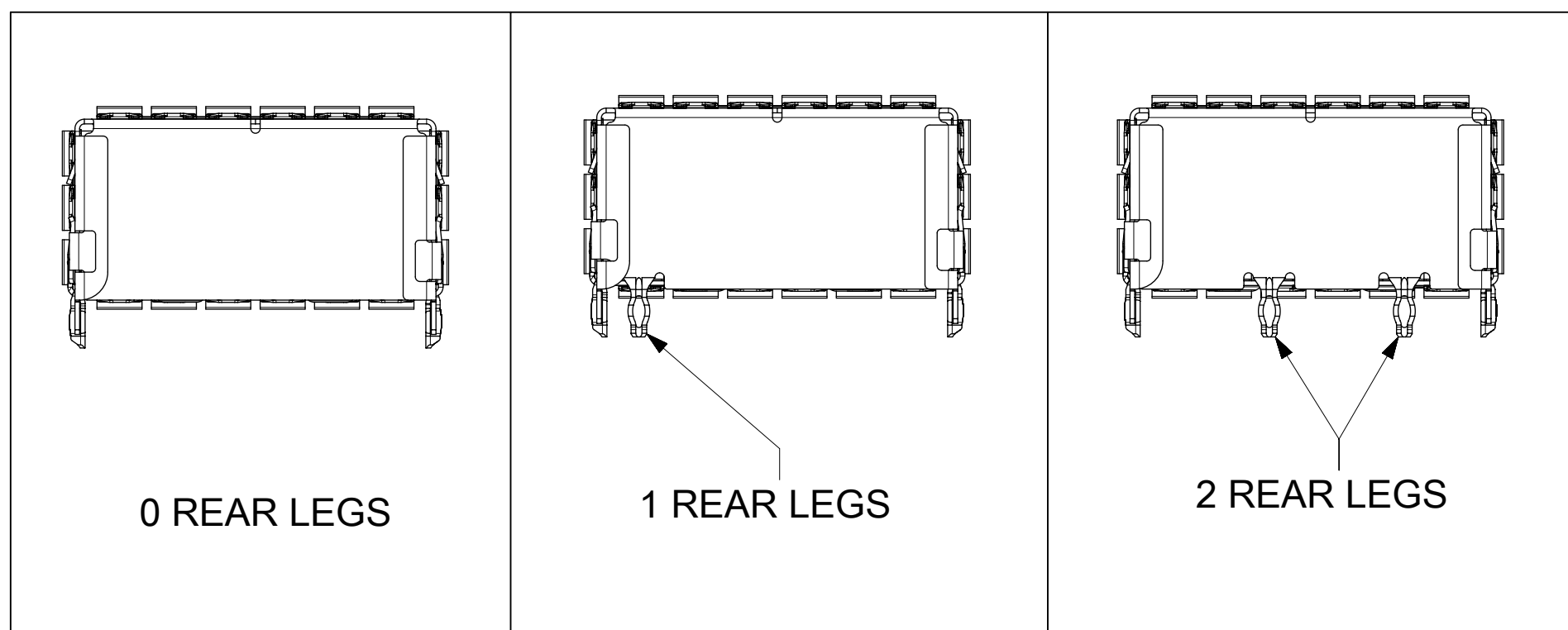
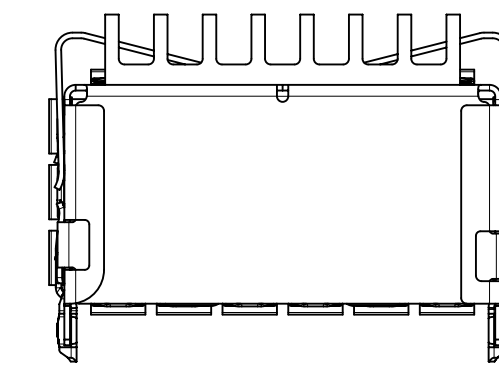
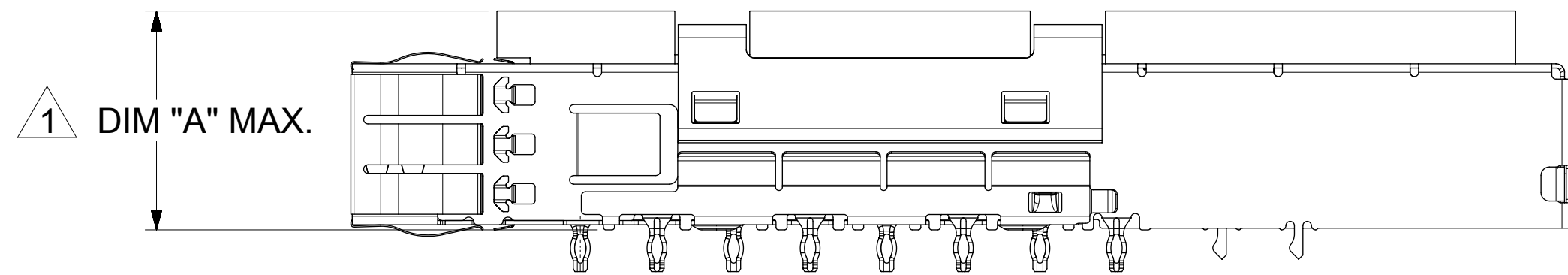
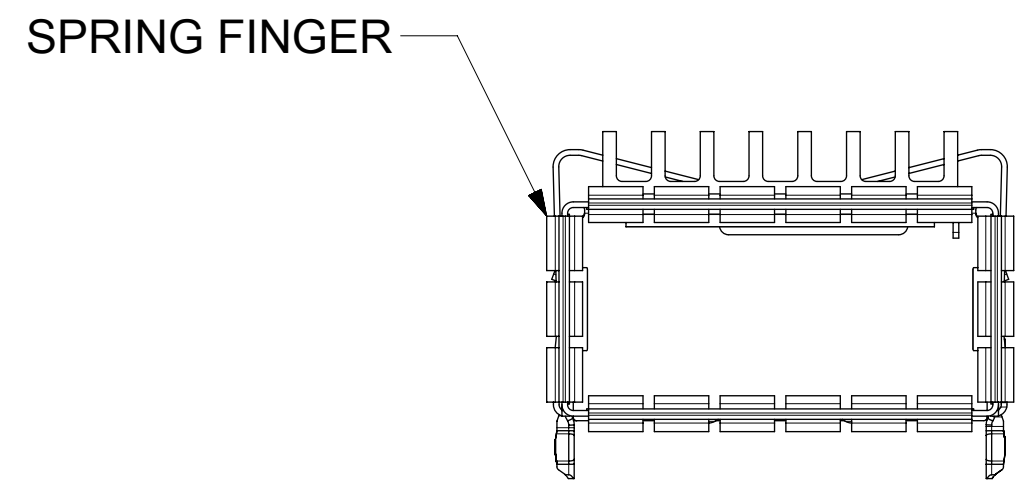
2031431439 SHOWN



HEAT SINK HEIGHT OPTIONS

OVERALL HEAT SINK HEIGHT	DIM "A"
PCI	13.7
SAN	16.0
NET	23.0

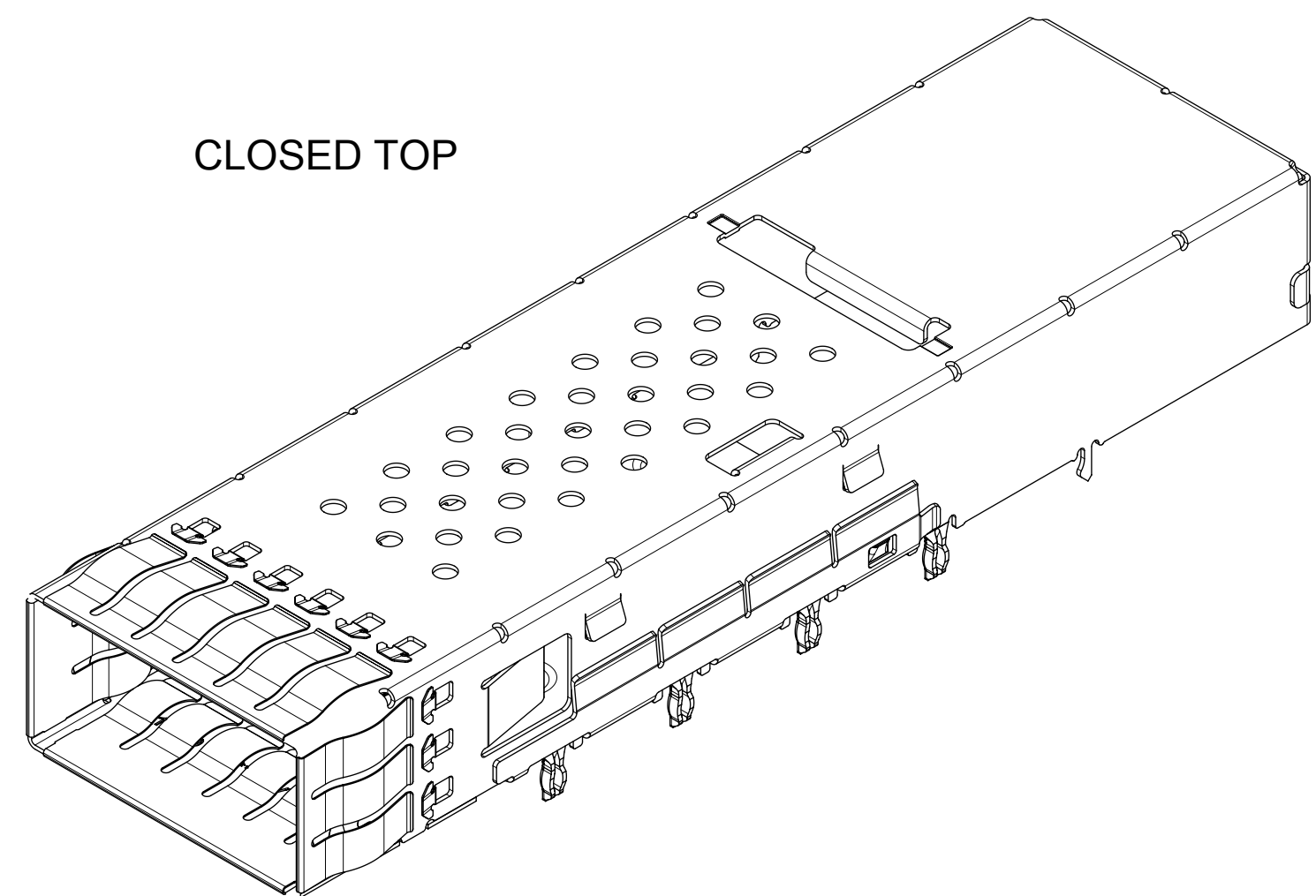
1 HEIGHT OF HEAT SINK WITH MODULE INSERTED.
DIMENSION MAY BE LESS DUE TO MODULE AND HEAT SINK VARIATIONS



THIS DRAWING CONTAINS INFORMATION THAT IS PROPRIETARY TO MOLEX ELECTRONIC TECHNOLOGIES, LLC AND SHOULD NOT BE USED WITHOUT WRITTEN PERMISSION									
DIMENSION UNITS		SCALE		CURRENT REV DESC: SEE P/N TABLE					
mm		3:1		<p>molex</p> <p>QSFP-DD 1X1 CAGE ASSY SF WITH FIN H/S OPTIONS</p> <p>PRODUCT CUSTOMER DRAWING</p> <p>DOCUMENT NUMBER: 2031431201 DOC TYPE: PSD DOC PART: ASY REVISION: C</p>					
GENERAL TOLERANCES (UNLESS SPECIFIED)									
ANGULAR TOL ± 2.0°									
4 PLACES ±		EC NO: 173798							
3 PLACES ±		DRWN: PGSHETTY 2018/02/01							
2 PLACES ± 0.13		CHK'D: LLU20 2018/03/22							
1 PLACE ± 0.25		APPR: RCHEN08 2018/03/23							
0 PLACES ±		INITIAL REVISION:							
DRAFT WHERE APPLICABLE		DRWN: LLU20 2017/07/17		MATERIAL NUMBER		CUSTOMER		SHEET NUMBER	
MUST REMAIN WITHIN DIMENSIONS		APPR: RCHEN08 2017/08/15		2031431201		GENERAL MARKET		2 OF 7	
THIRD ANGLE PROJECTION		DRAWING		SERIES		CUSTOMER		SHEET NUMBER	
D-SIZE		203143		SEE P/N TABLE		GENERAL MARKET		2 OF 7	

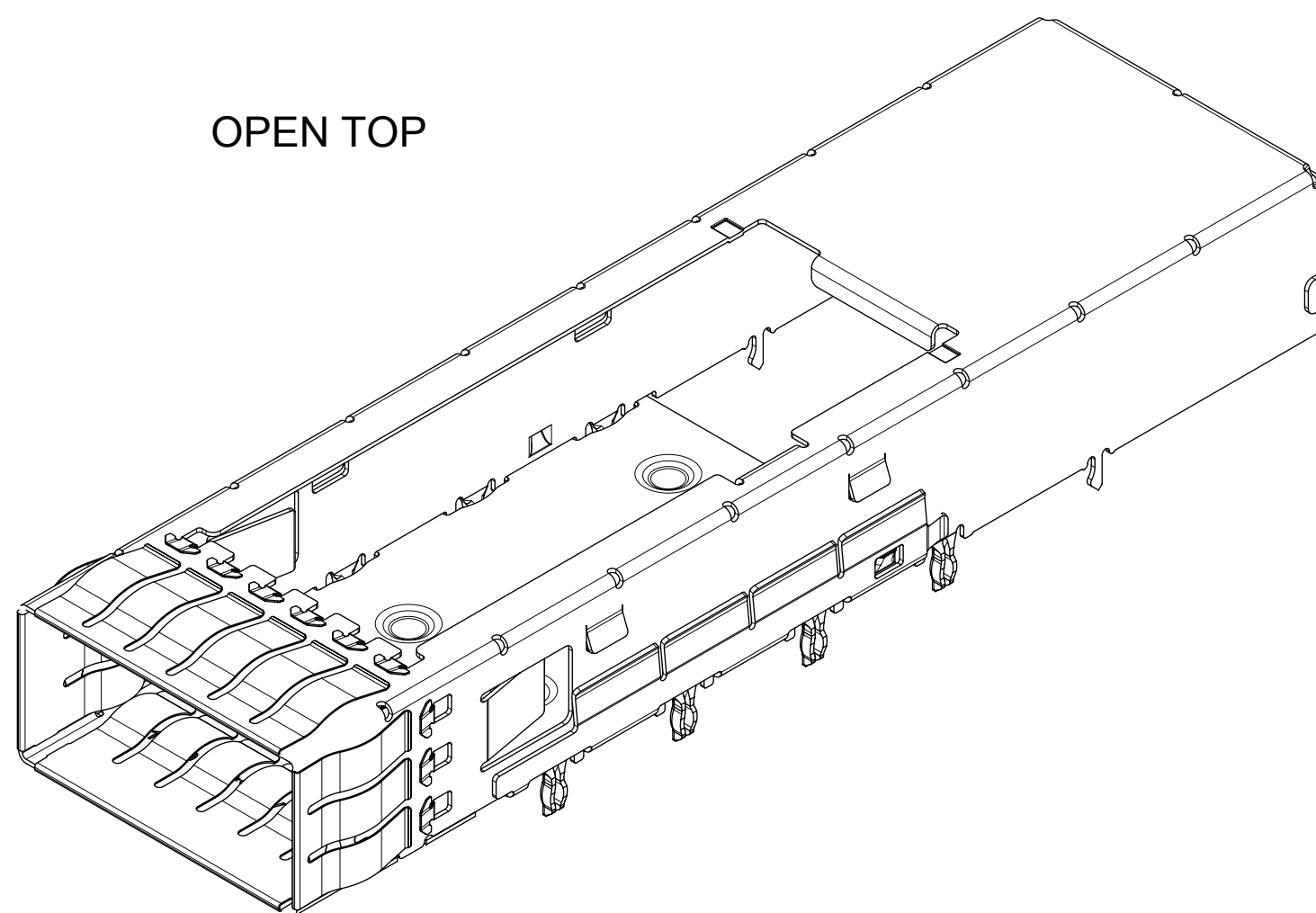
PART NUMBER SELECTION

CLOSED TOP



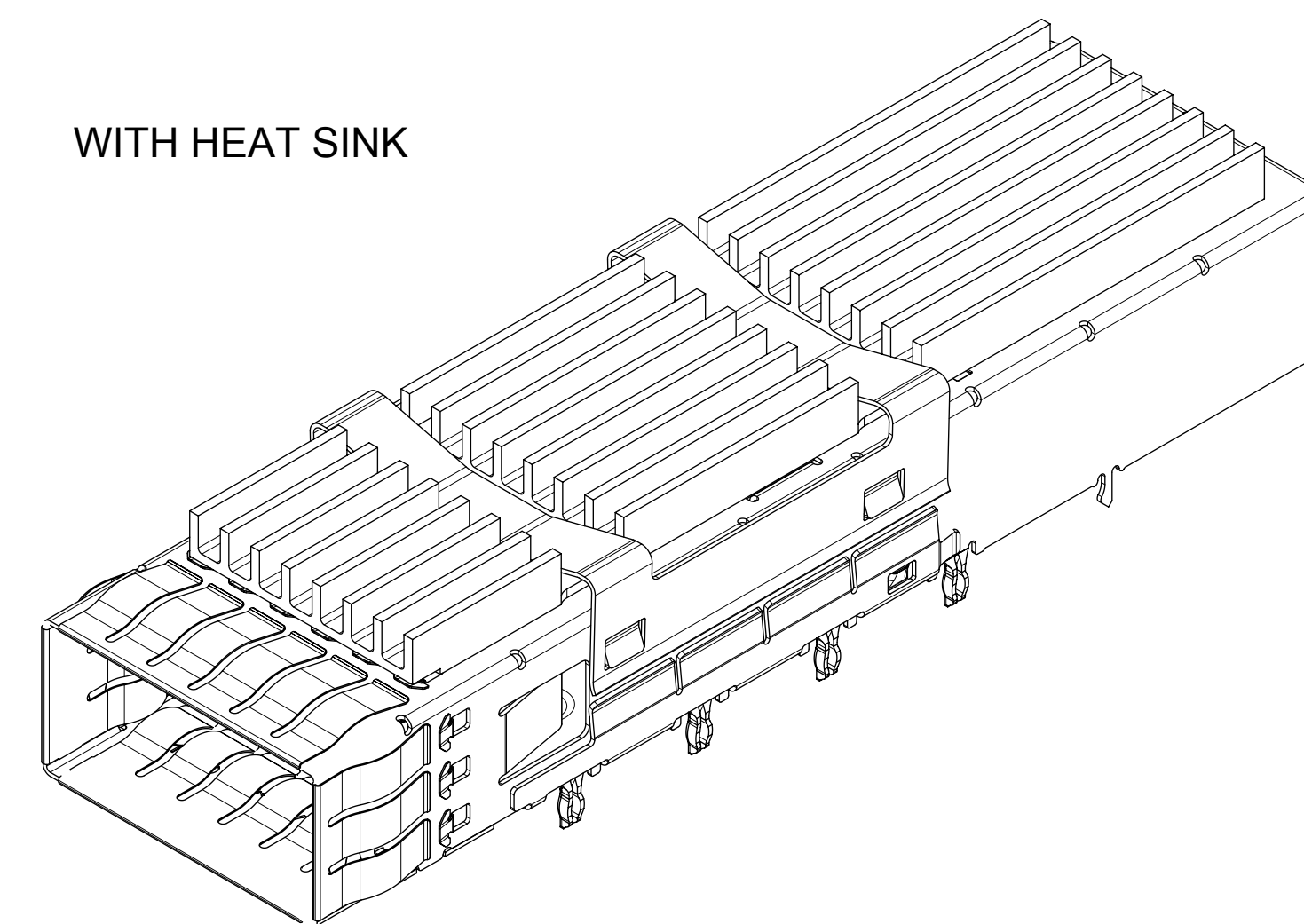
MOLEX P/N	# OF REAR LEGS PER PORT
2031431243	0
2031431244	1

OPEN TOP



MOLEX P/N	# OF REAR LEGS PER PORT
2031431254	0
2031431255	1
2031431256	2

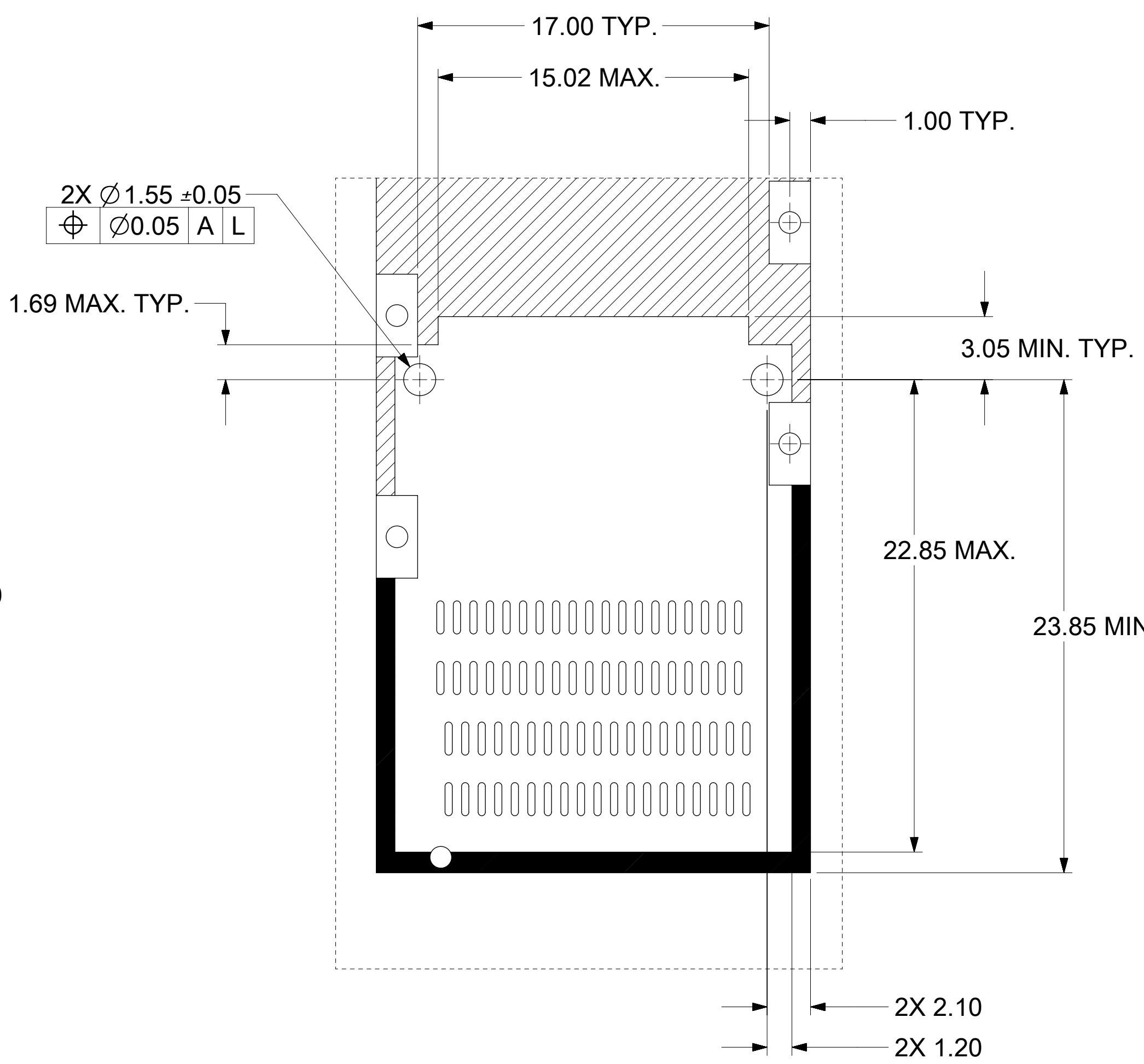
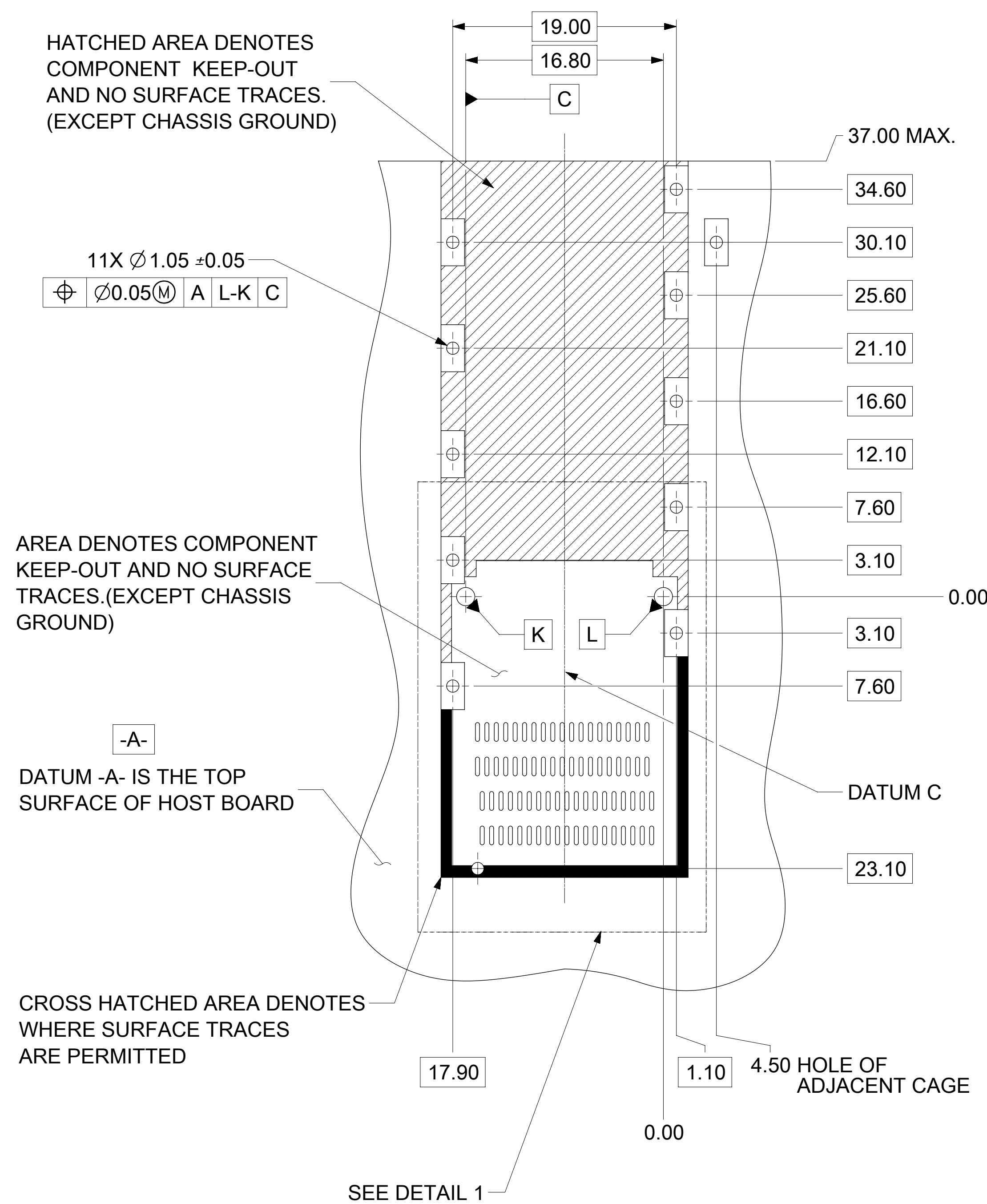
WITH HEAT SINK



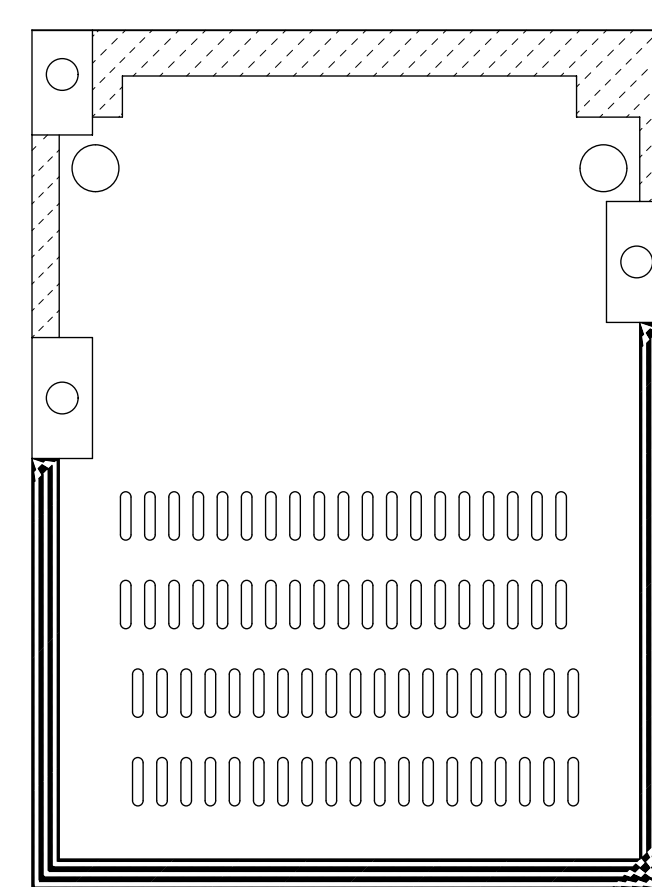
MOLEX P/N	HEAT SINK	# OF REAR LEGS PER PORT
2031431349	PCI	0
2031431350	SAN	0
2031431351	NET	0
2031431352	PCI	1
2031431353	SAN	1
2031431354	NET	1
2031431355	PCI	2
2031431356	SAN	2
2031431357	NET	2

THIS DRAWING CONTAINS INFORMATION THAT IS PROPRIETARY TO MOLEX ELECTRONIC TECHNOLOGIES, LLC AND SHOULD NOT BE USED WITHOUT WRITTEN PERMISSION											
DIMENSION UNITS mm		SCALE 3:1		CURRENT REV DESC: SEE P/N TABLE						molex	
GENERAL TOLERANCES (UNLESS SPECIFIED)				EC NO: 173798							
ANGULAR TOL ± 2.0°		4 PLACES ±		DRWN: PGSHETTY		2018/02/01		QSFP-DD 1X1 CAGE ASSY SF WITH FIN H/S OPTIONS			
3 PLACES ±		2 PLACES ± 0.13		CHK'D: LLU20		2018/03/22					
1 PLACE ± 0.25		0 PLACES ±		APPR: RCHEN08		2018/03/23		PRODUCT CUSTOMER DRAWING			
DRAFT WHERE APPLICABLE MUST REMAIN WITHIN DIMENSIONS				THIRD ANGLE PROJECTION		DRAWING		SERIES		DOCUMENT NUMBER	
D-DRAWING		D-SIZE		203143		2017/07/17		2017/08/15		2031431201	
MATERIAL NUMBER		CUSTOMER		SEE P/N TABLE		GENERAL MARKET		PSD		ASY C	
SHEET NUMBER		3 OF 7									

PCB LAYOUT FOR SINGLE SIDED MOUNTING

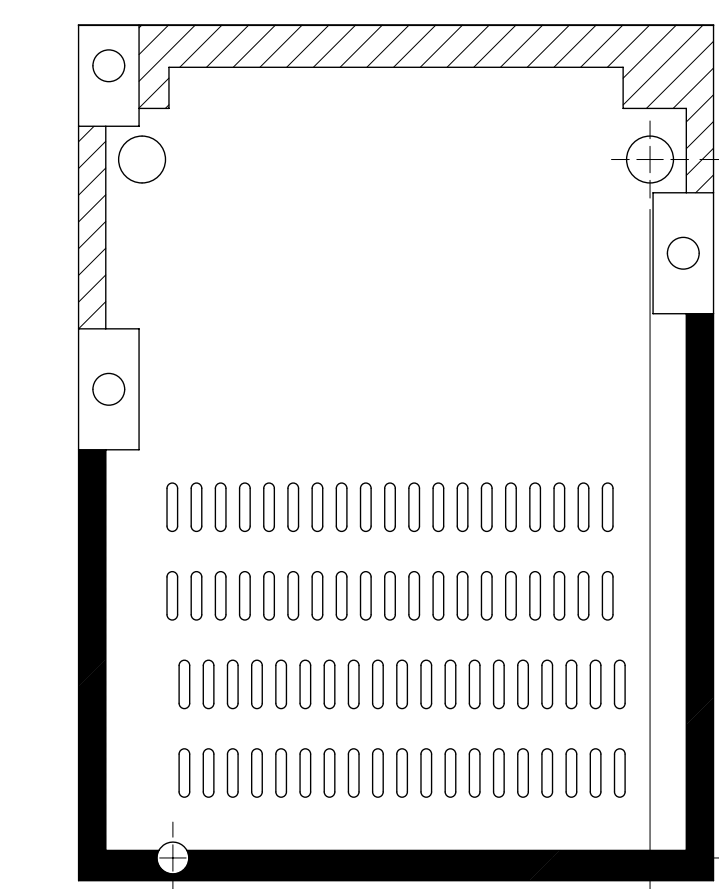


NO REAR LEGS



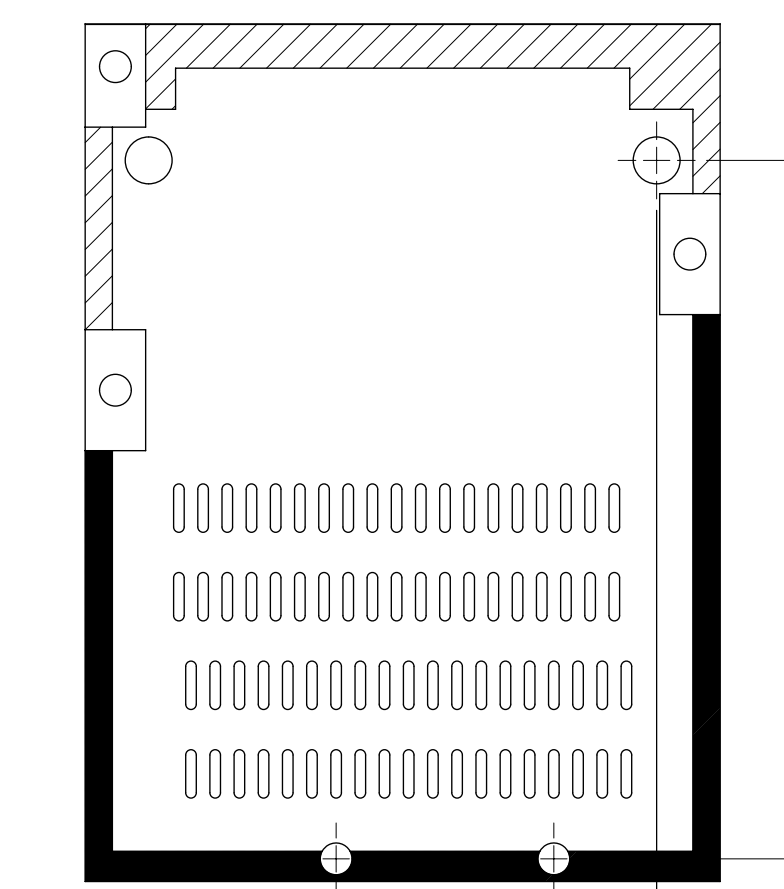
PARTIAL 1
SCALE 4:1

1 REAR LEG



PARTIAL 2
SCALE 4:1

2 REAR LEGS



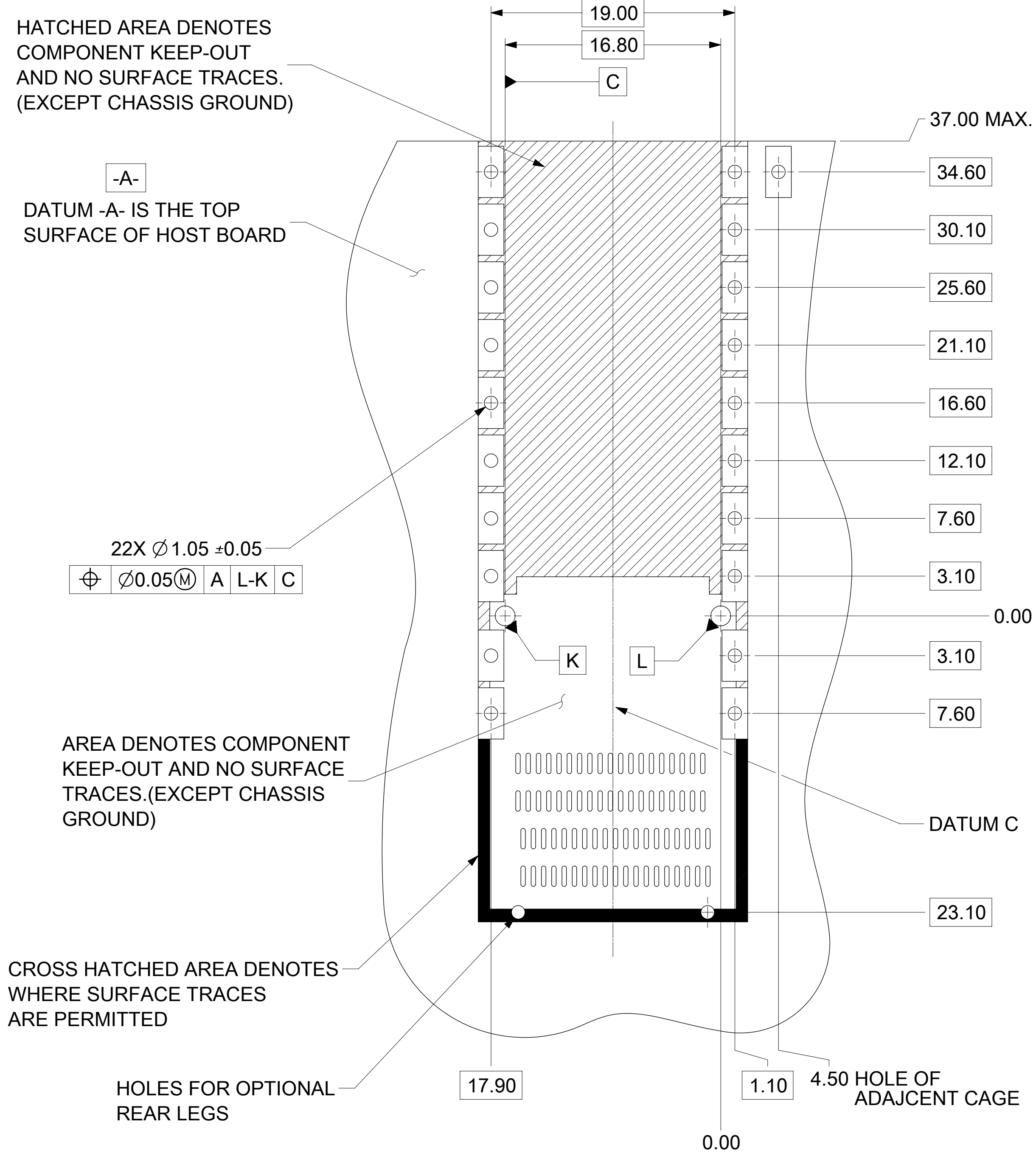
PARTIAL 3
SCALE 4:1

DETAIL 1
SCALE 5:1

- NOTES:
1. PADS AND VIAS GO TO CHASSIS GROUND. (RECOMMENDED PADS TO BE 2.00x4.00mm RECTANGLE.)
 2. RECOMMENDED THRU HOLE PLATING INCLUDES HASL, OSP, OR IMMERSION (GOLD, SILVER, OR TIN).
 3. CONNECTOR PAD LAYOUT PER QSFP-DD MSA WILL ACCOMODATE MOLEX CONNECTOR SERIES 202718.
 4. NOTED DIMENSIONS ONLY APPLY TO CAGE ASSEMBLIES WITH LIGHT PIPES.

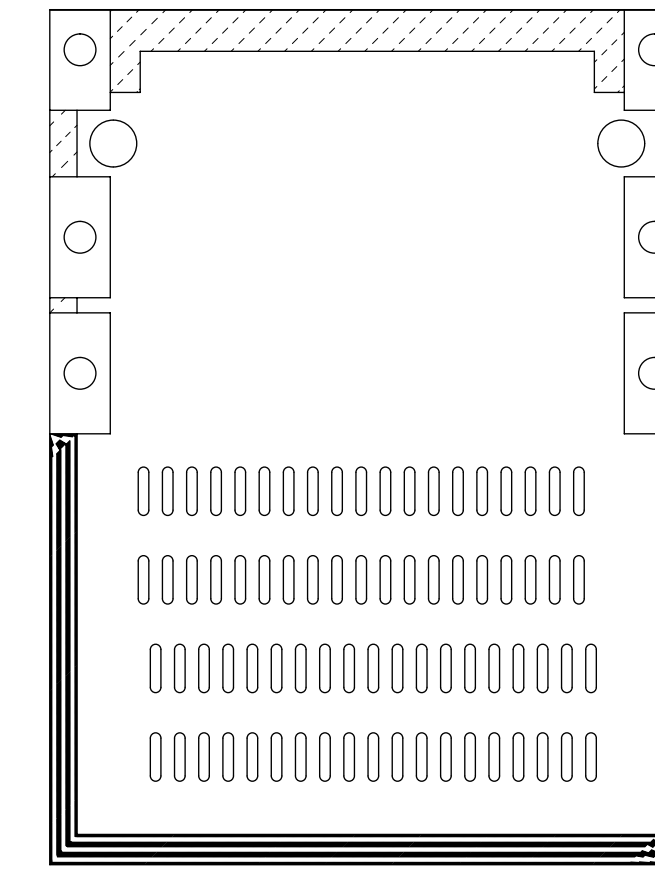
THIS DRAWING CONTAINS INFORMATION THAT IS PROPRIETARY TO MOLEX ELECTRONIC TECHNOLOGIES, LLC AND SHOULD NOT BE USED WITHOUT WRITTEN PERMISSION									
DIMENSION UNITS		SCALE		CURRENT REV DESC: SEE P/N TABLE					
mm		3.5:1							
GENERAL TOLERANCES (UNLESS SPECIFIED)									
ANGULAR TOL				± 2.0°		EC NO: 173798			
4 PLACES				±		DRWN: PGSHETTY 2018/02/01			
3 PLACES				±		CHK'D: LLU20 2018/03/22			
2 PLACES				± 0.13		APPR: RCHEN08 2018/03/23			
1 PLACE				± 0.25		INITIAL REVISION:			
0 PLACES				±		DRWN: LLU20 2017/07/17			
						APPR: RCHEN08 2017/08/15			
DRAFT WHERE APPLICABLE MUST REMAIN WITHIN DIMENSIONS			THIRD ANGLE PROJECTION		DRAWING		SERIES		MATERIAL NUMBER
			D-SIZE		203143		203143		SEE P/N TABLE
molex									
QSFP-DD 1X1 CAGE ASSY SF WITH FIN H/S OPTIONS									
PRODUCT CUSTOMER DRAWING									
DOCUMENT NUMBER				DOC TYPE		DOC PART		REVISION	
2031431201				PSD		ASY		C	
CUSTOMER			GENERAL MARKET			SHEET NUMBER			
						4 OF 7			

PCB LAYOUT FOR BELLY TO BELLY MOUNTING



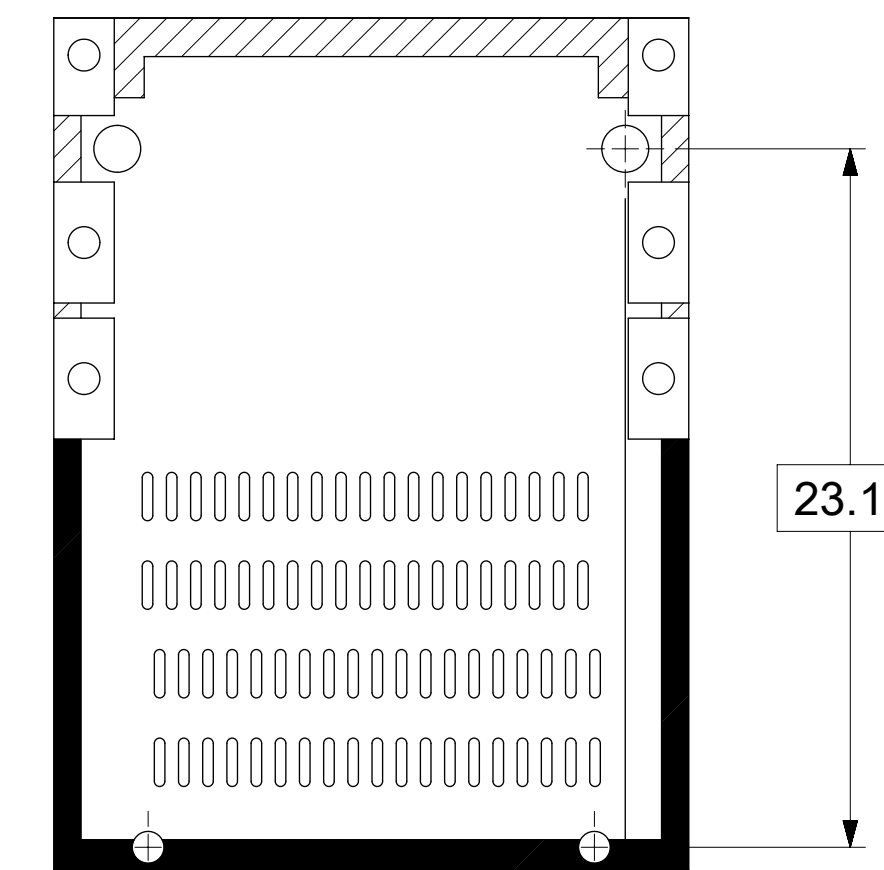
NOTE:
SEE SHEET 4 FOR
HOST CONNECTOR DETAIL
AND LED LOCATION DETAILS

NO REAR LEGS



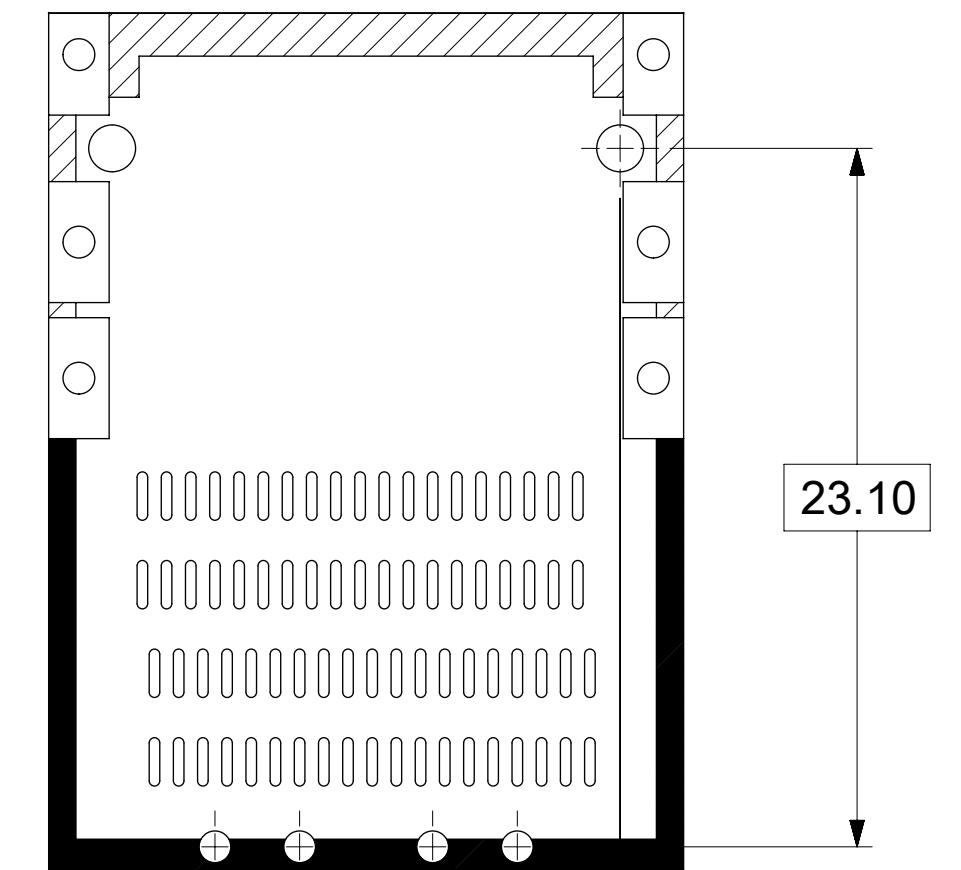
PARTIAL 1
SCALE 4:1

1 REAR LEG



PARTIAL 2
SCALE 4:1

2 REAR LEGS

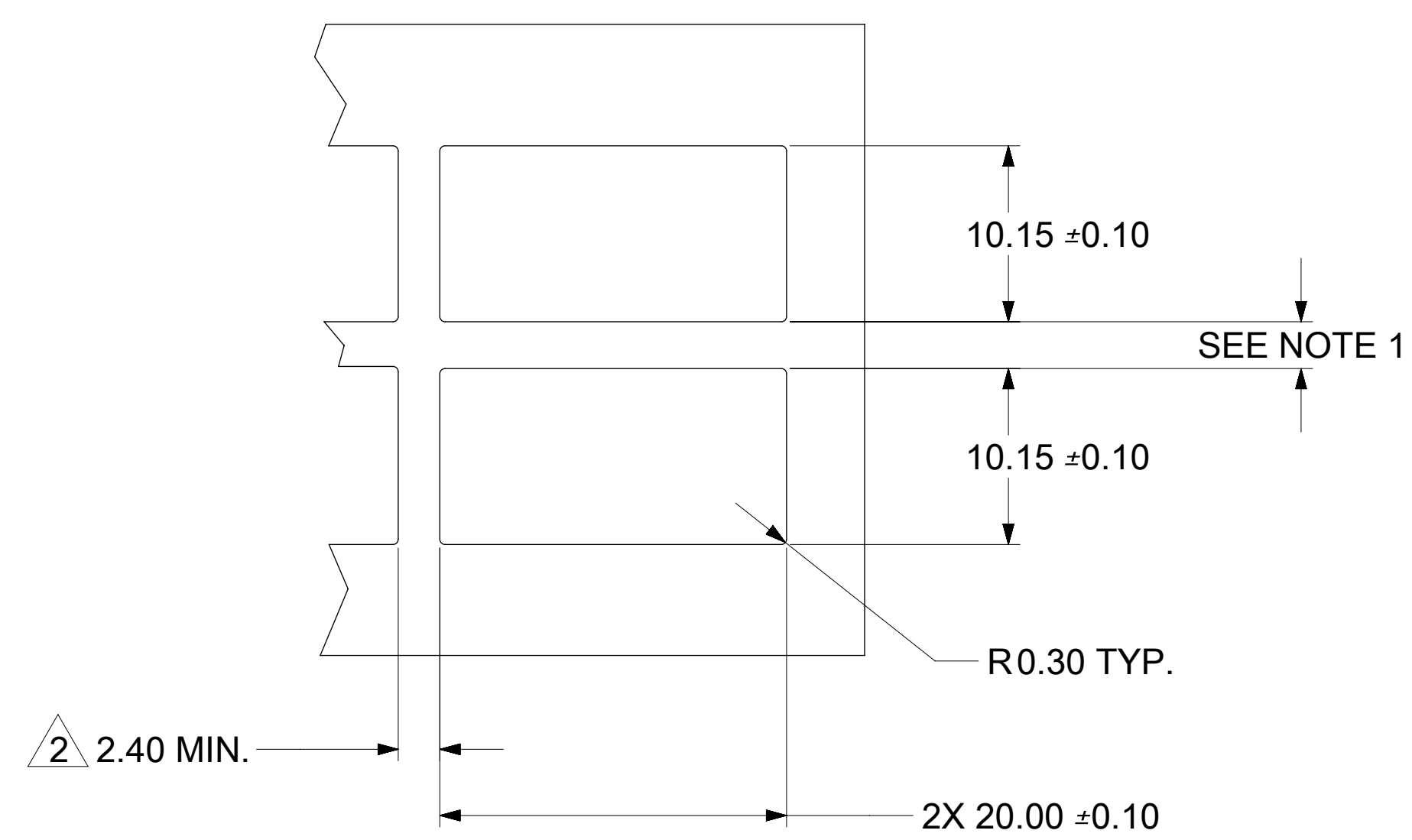
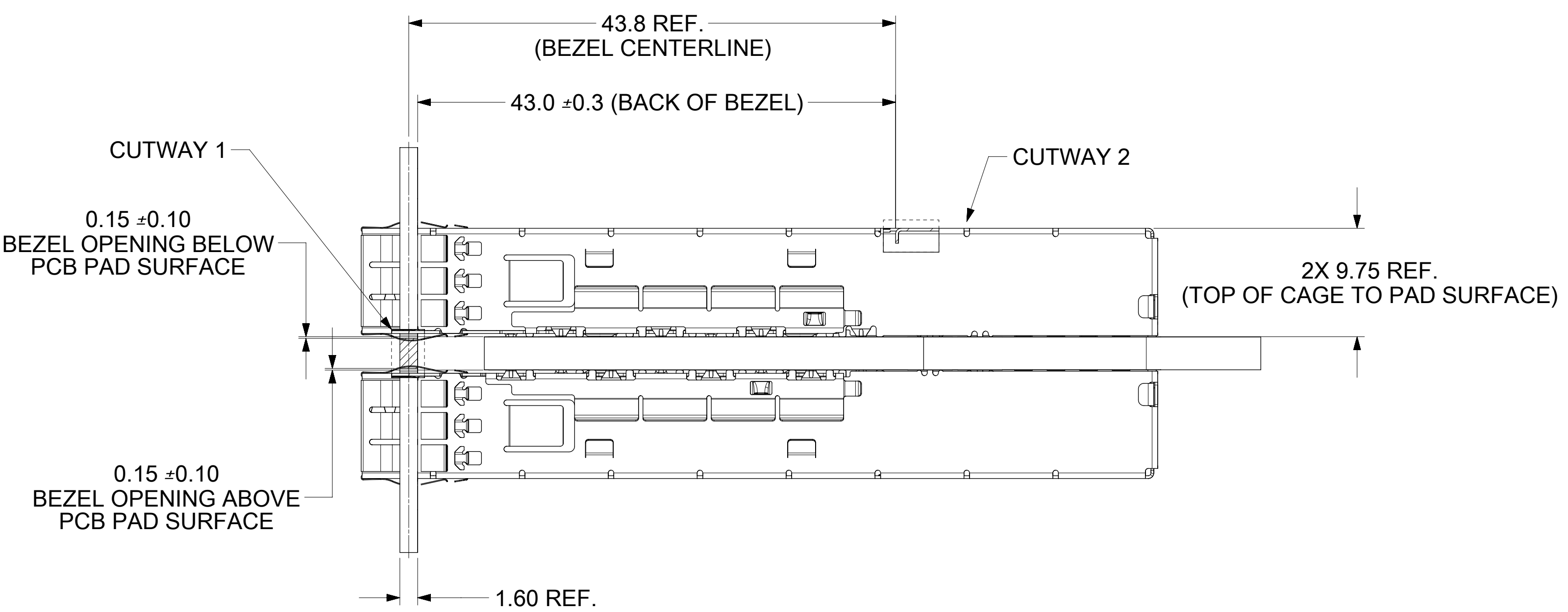


PARTIAL 3
SCALE 4:1

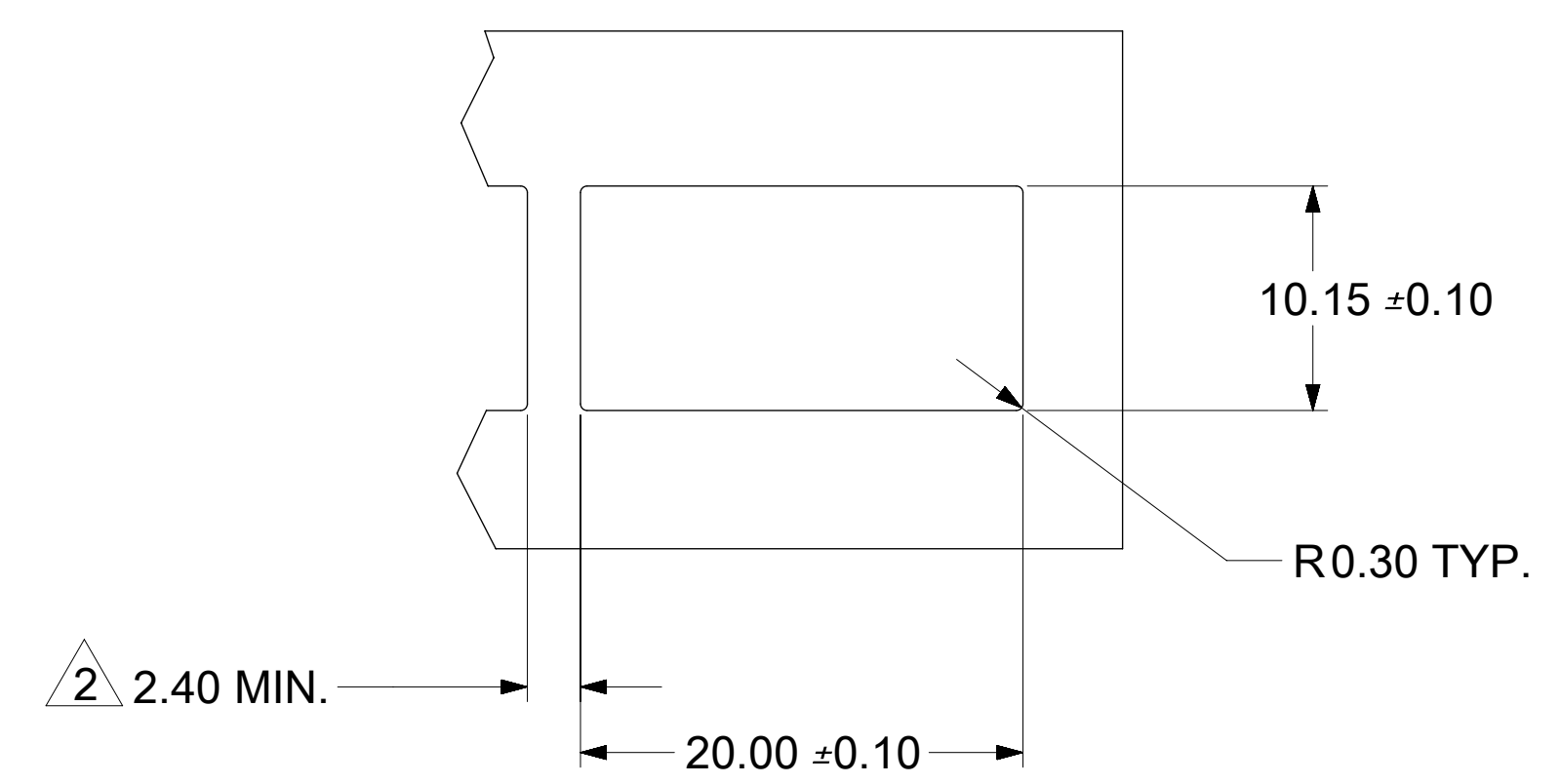
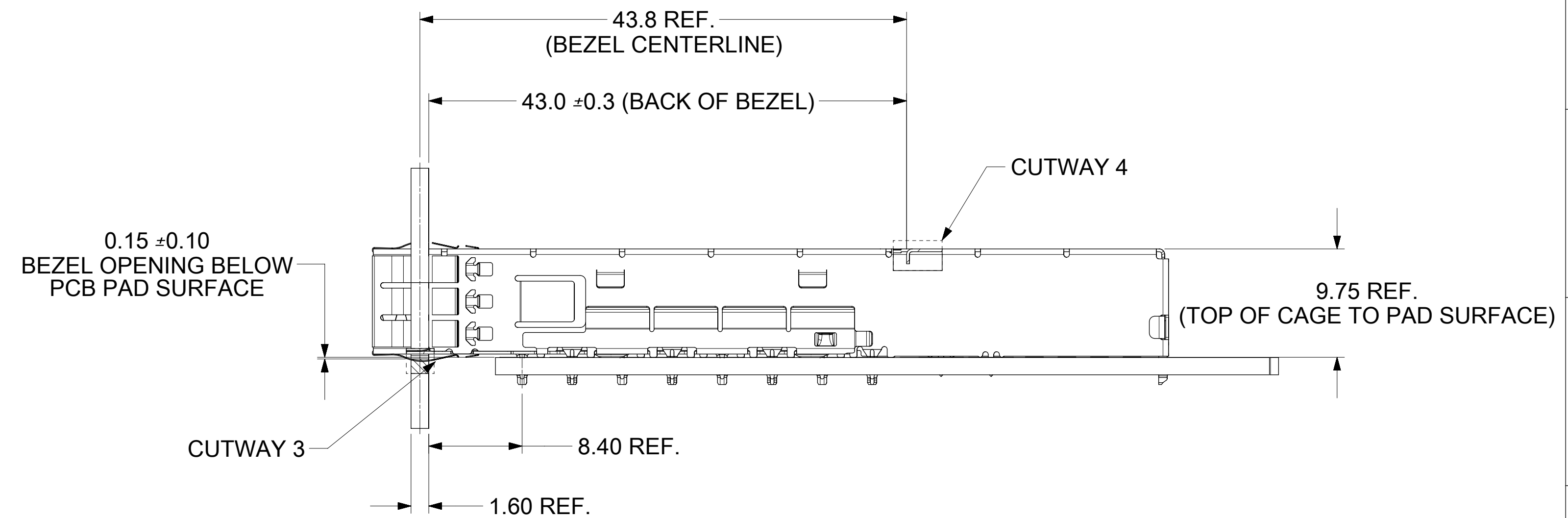
- NOTES:
1. PADS AND VIAS GO TO CHASSIS GROUND. (RECOMMENDED PADS TO BE 2.00x4.00mm RECTANGLE.)
 2. RECOMMENDED THRU HOLE PLATING INCLUDES HASL, OSP, OR IMMERSION (GOLD, SILVER, OR TIN).
 3. CONNECTOR PAD LAYOUT PER QSFP-DD WILL ACCOMODATE MOLEX CONNECTOR SERRIES 202718.

THIS DRAWING CONTAINS INFORMATION THAT IS PROPRIETARY TO MOLEX ELECTRONIC TECHNOLOGIES, LLC AND SHOULD NOT BE USED WITHOUT WRITTEN PERMISSION									
DIMENSION UNITS mm		SCALE 4:1		CURRENT REV DESC: SEE P/N TABLE					
GENERAL TOLERANCES (UNLESS SPECIFIED)				<p>molex</p> <p>QSFP-DD 1X1 CAGE ASSY SF WITH FIN H/S OPTIONS</p> <p>PRODUCT CUSTOMER DRAWING</p> <p>DOCUMENT NUMBER: 2031431201 DOC TYPE: PSD DOC PART: ASY REVISION: C</p> <p>MATERIAL NUMBER: SEE P/N TABLE CUSTOMER: GENERAL MARKET SHEET NUMBER: 5 OF 7</p>					
ANGULAR TOL ± 2.0°		EC NO: 173798							
4 PLACES ±		DRWN: PGSHETTY 2018/02/01							
3 PLACES ±		CHK'D: LLU20 2018/03/22							
2 PLACES ± 0.13		APPR: RCHEN08 2018/03/23							
1 PLACE ± 0.25		INITIAL REVISION:		DRWN: LLU20 2017/07/17		SERIES: 203143		DRAWING: D-SIZE	
0 PLACES ±		APPR: RCHEN08 2017/08/15		THIRD ANGLE PROJECTION		DRAFT WHERE APPLICABLE MUST REMAIN WITHIN DIMENSIONS		DRAWING: D-SIZE	

BEZEL AND BOARD POSITION DIMENSIONS FOR BELLY TO BELLY MOUNTING



BEZEL AND BOARD POSITION DIMENSIONS FOR SINGLE SIDE MOUNTING



NOTE:
 1. PCB THICKNESS VARIATION MUST BE CONSIDERED WHEN DETERMINING BEZEL OPENING LOCATION.
 2. THIS DIMENSION IS FOR REFERENCE ONLY. USER CAN MODIFY IT DEPENDS ON APPLICATION.
 (THIS DIMENSION VARIES BASED ON DISTANCE OF "HOLE OF ADJACENT CAGE" ON PCB LAYOUT.)

THIS DRAWING CONTAINS INFORMATION THAT IS PROPRIETARY TO MOLEX ELECTRONIC TECHNOLOGIES, LLC AND SHOULD NOT BE USED WITHOUT WRITTEN PERMISSION									
DIMENSION UNITS		SCALE		CURRENT REV DESC: SEE P/N TABLE					
mm		3:1		molex QSFP-DD 1X1 CAGE ASSY SF WITH FIN H/S OPTIONS PRODUCT CUSTOMER DRAWING					
GENERAL TOLERANCES (UNLESS SPECIFIED)									
ANGULAR TOL		± 2.0°							
4 PLACES		±							
3 PLACES		±							
2 PLACES		± 0.13							
1 PLACE		± 0.25		EC NO: 173798		2018/02/01		2018/03/22	
0 PLACES		±		DRWN: LLU20		2017/07/17		2017/08/15	
DRAFT WHERE APPLICABLE MUST REMAIN WITHIN DIMENSIONS				THIRD ANGLE PROJECTION		DRAWING		SERIES	
				D-SIZE		203143		MATERIAL NUMBER	
						SEE P/N TABLE		CUSTOMER	
						GENERAL MARKET		SHEET NUMBER	
								6 OF 7	

