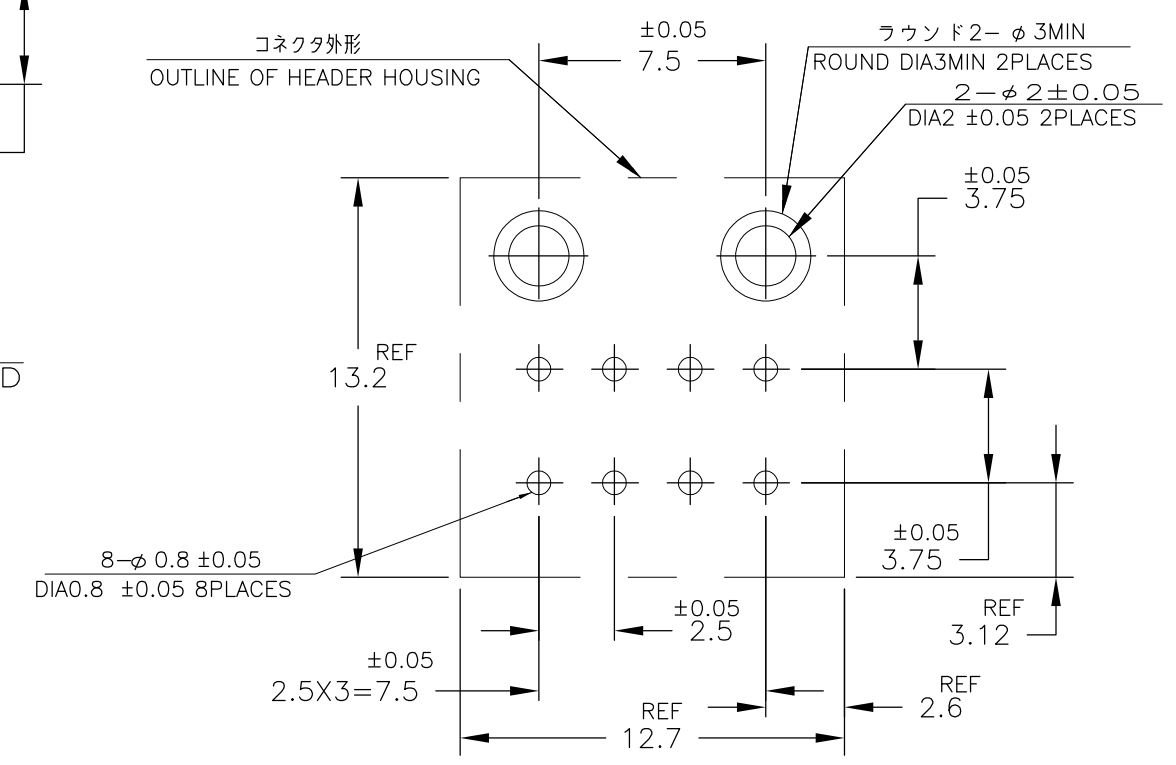
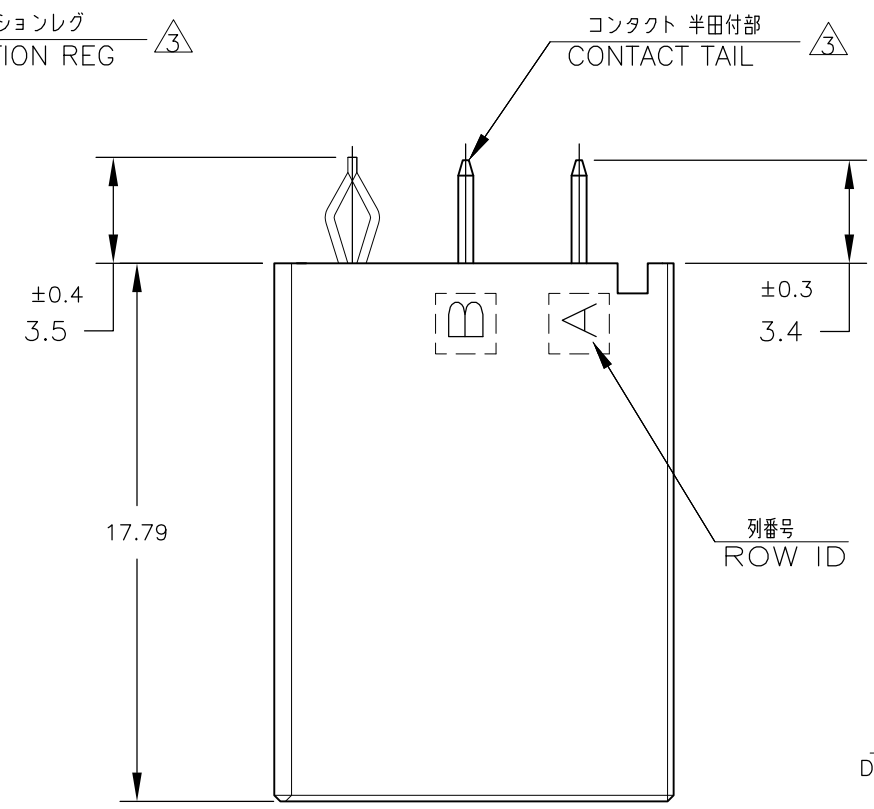
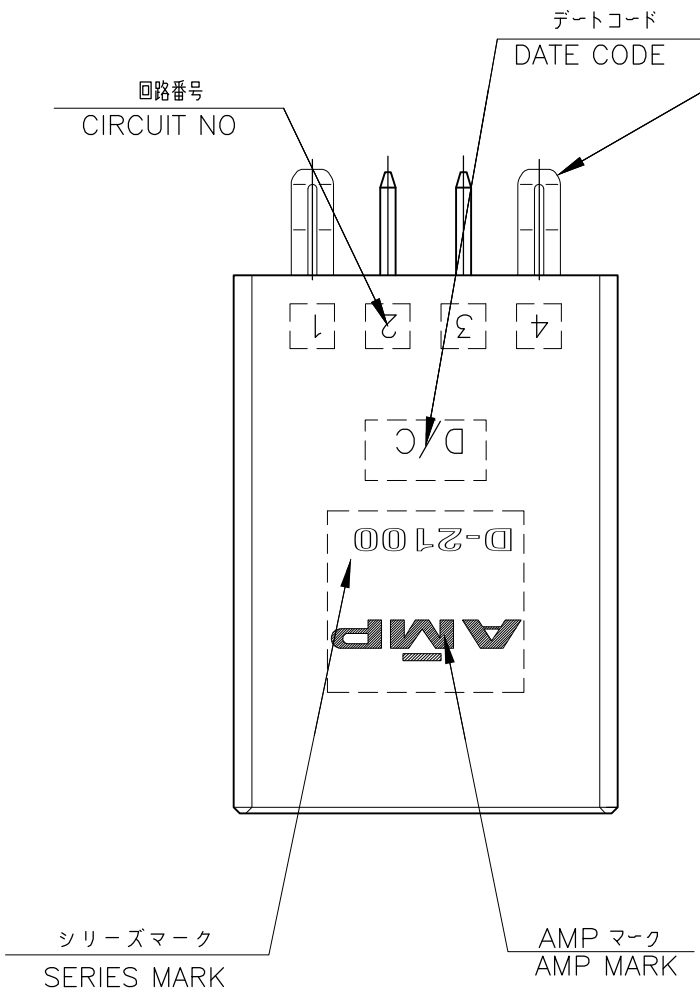
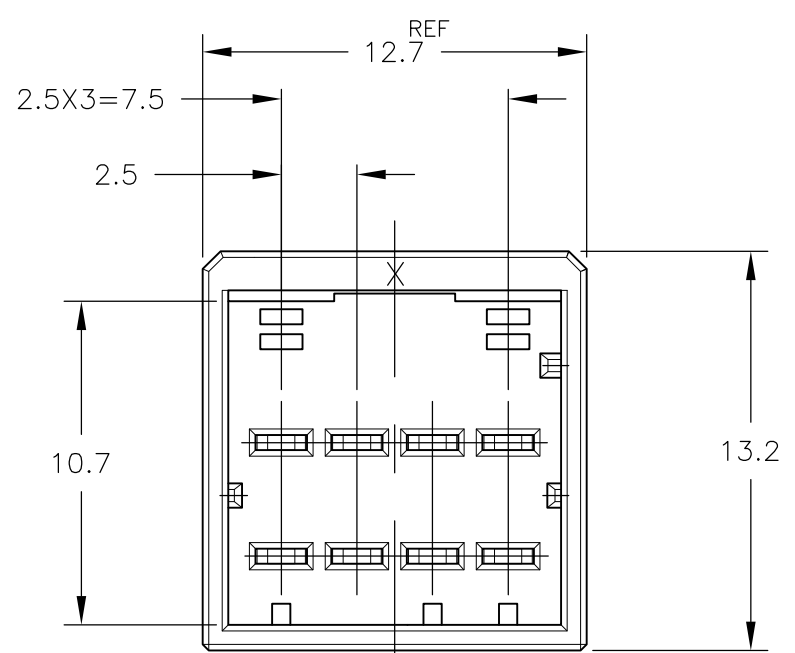


THIS DRAWING IS UNPUBLISHED. RELEASED FOR PUBLICATION
 © COPYRIGHT 2012 By Tyco Electronics Japan G.K. ALL RIGHTS RESERVED.

LOC	DIST	REVISIONS					
J	—	P	LTR	DESCRIPTION	DATE	DWN	APVD
		D		REVISED	11MAY2012	H.M	N.Y



推奨基板取付け穴寸法 (公差: ±0.05)
 PC 基板厚: 1.6 ± 0.3
 (コネクタ搭載面)
 RECOMMENDED PC BOARD HOLE PATTERN (TOLERANCE: ±0.05)
 PC BOARD THICKNESS: 1.6 ± 0.3
 (CONNECTOR MOUNT SIDE)



NOTES

- MATERIAL: HOUSING: GLASS FILLED THERMO PLASTIC POLYESTER(94V-0)
 TAB CONTACT: COPPER ALLOY
 RETENTION LEG: BRASS
- △ FINISH (CONTACT AREA): 0.38 μm MIN GOLD PLATING OVER Ni PLATING
- △ FINISH (RETENTION LEG): TIN PLATED (CONTACT TAIL) OVER NICKEL

注記

- 材料: ハウジング: ガラス入り熱可塑性ポリエステル樹脂 (94V-0)
 タブ コンタクト: 銅合金
 リテンション レグ: 黄銅
- めっき: コンタクト: 全面Ni下地
 接触部: 0.38 μm MIN 金めっき
- めっき: リテンションレグとコンタクト半田付部: ニッケル下地の上にスズめっき

Y	NATURAL	9-1318125-2
Y	BLACK	1318125-2
X	BLACK	1318125-1
KEY	COLOR	PART No.

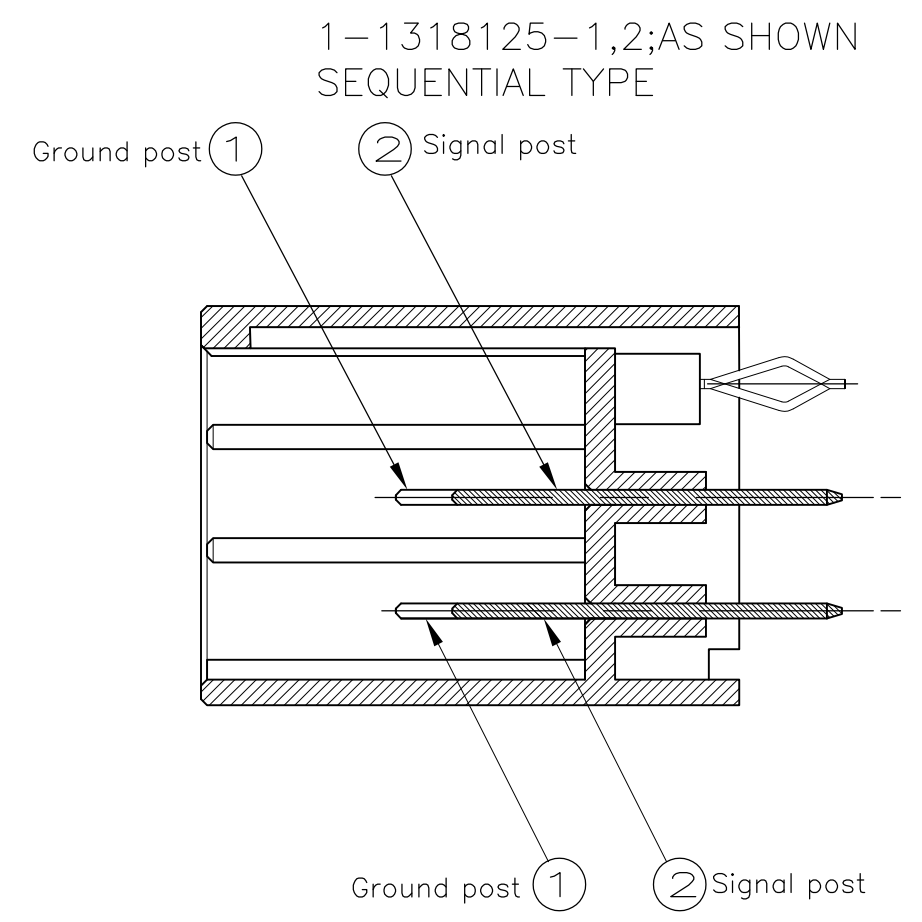
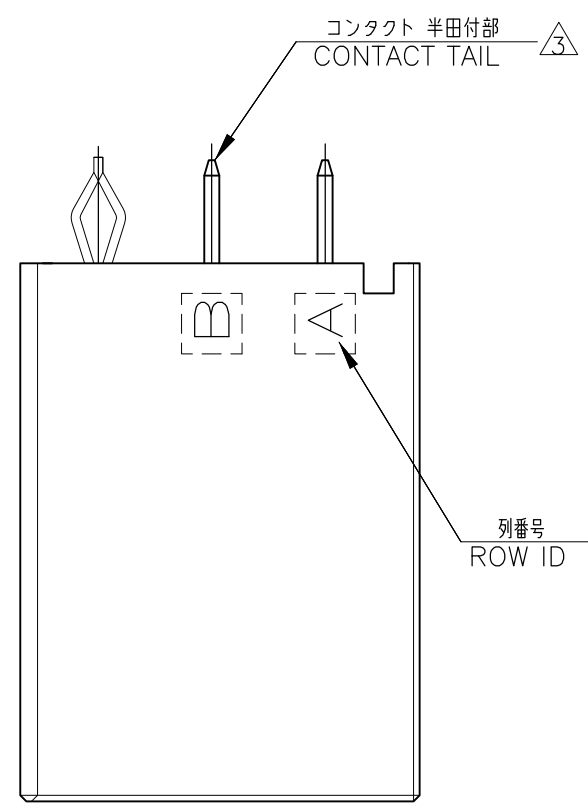
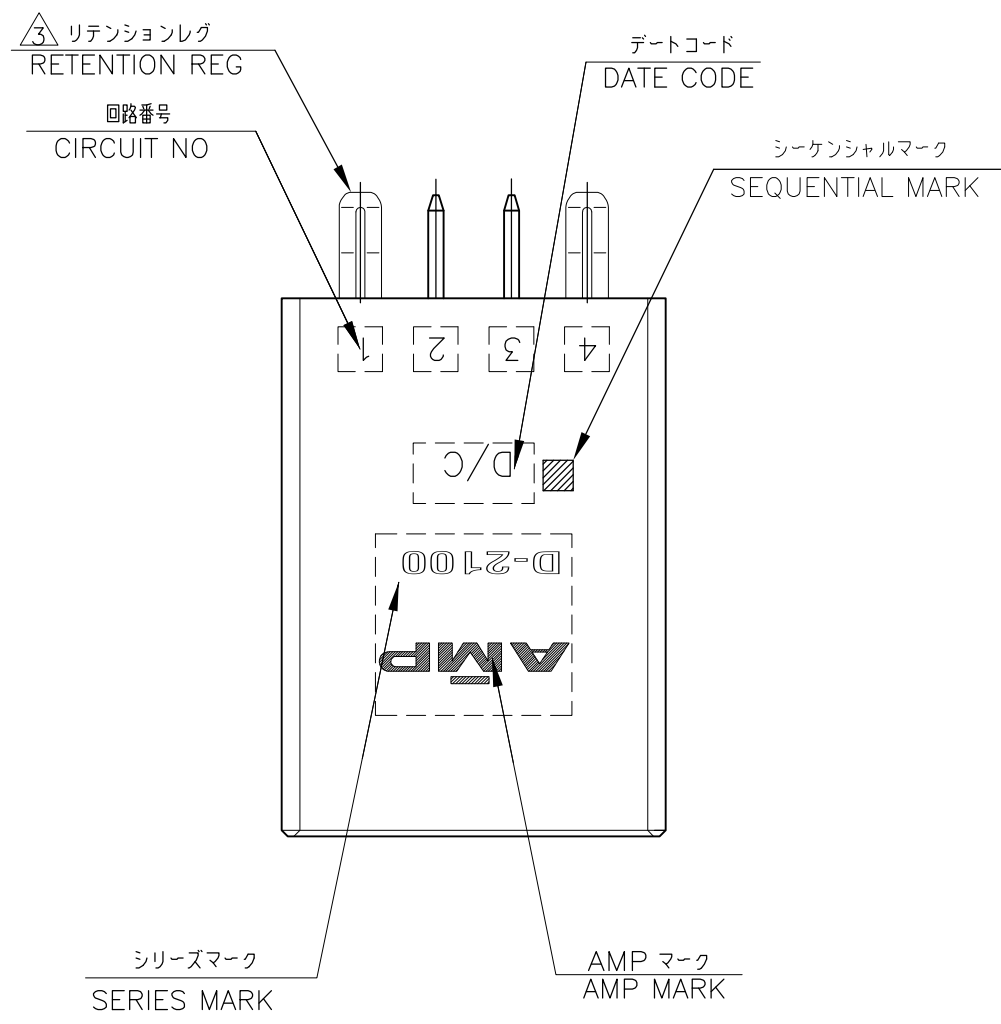
1318125-1 (KEYING X)

1318125-2 (KEYING Y)
 SCALE: 2-1

THIS DRAWING IS A CONTROLLED DOCUMENT.		DWN	I.IKEDA 07DEC1998					
DIMENSIONS: mm		CHK	N.MATSUBARA 07DEC1998					
TOLERANCES UNLESS OTHERWISE SPECIFIED:		APVD	I.HASEGAWA 07DEC1998		NAME DOUBLE ROW HEADER ASSY 8P V-TYPE DYNAMIC D-2100D			
0 PLC ± 0.3 1 PLC ± 0.35 2 PLC ± 0.4 3 PLC ± 0.4 4 PLC ± 0.4 ANGLES ± 3°		PRODUCT SPEC	108-5619					
MATERIAL SEE NOTE		APPLICATION SPEC	114-5258		SIZE	CAGE CODE	DRAWING NO	RESTRICTED TO
FINISH SEE NOTE		WEIGHT	CUSTOMER DRAWING		A3	00779	C-1318125	—
				SCALE	4:1	SHEET	1 OF 2	REV D

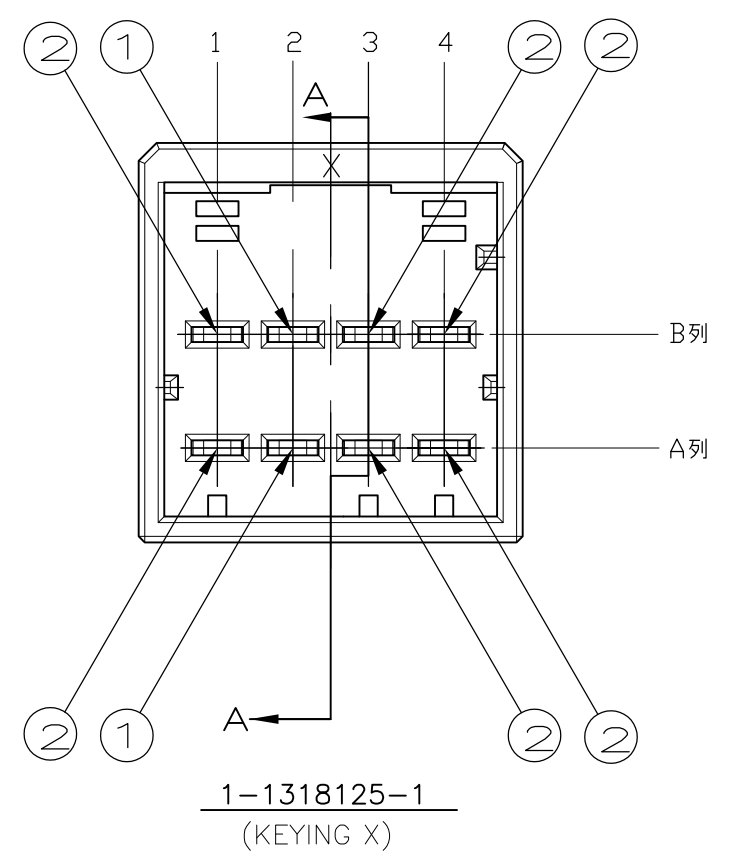
THIS DRAWING IS UNPUBLISHED. RELEASED FOR PUBLICATION
 © COPYRIGHT 2012 By Tyco Electronics Japan G.K. ALL RIGHTS RESERVED.

LOC	DIST	REVISIONS					
		P	LTR	DESCRIPTION	DATE	DWN	APVD
J	—			SEE SHEET 1	—	—	—



		回路番号			
		1	2	3	4
列番号	B	② Signal	① Ground	② Signal	② Signal
	A	② Signal	① Ground	② Signal	② Signal

POINT OF SEQUENTIAL
 1-1318125-1,2



NOTES
 1. MATERIAL:HOUSING:GLASS FILED THERMO PLASTIC POLYESTER(94V-0)
 TAB CONTACT:COPPER ALLOY
 RETENTION LEG:BRASS
 △ FINISH(CONTACT AREA):0.38μmMIN GOLD PLATING OVER Ni PLATING
 △ FINISH(RETENTION LEG): TIN PLATED (CONTACT TAIL) OVER NICKEL

注記
 1. 材料:ハウジング:ガラス入り熱可塑性ポリエステル樹脂 (94V-0)
 タブ コンタクト:銅合金
 リテンションレグ:黄銅
 △ めっき:コンタクト:全面Ni下地 接触部:0.38μmMIN金めっき
 △ めっき:リテンションレグとコンタクト半田付部:ニッケル下地の上にスズめっき

Y	BLACK	1-1318125-2
X	BLACK	1-1318125-1
KEY	COLOR	PART No.

THIS DRAWING IS A CONTROLLED DOCUMENT.

DIMENSIONS: mm	TOLERANCES UNLESS OTHERWISE SPECIFIED: 0 PLC ± 0.3 1 PLC ± 0.35 2 PLC ± 0.35 3 PLC ± 0.4 4 PLC ± 0.4 ANGLES ± 3°	DWN I.IKEDA 07DEC1998 CHK N.MATSUBARA 07DEC1998 APVD I.HASEGAWA 07DEC1998 PRODUCT SPEC 108-5619 APPLICATION SPEC 114-5258 WEIGHT	TE Connectivity NAME DOUBLE ROW HEADER ASSY 8P V-TYPE DYNAMIC D-2100D SIZE A3 CAGE CODE 00779 DRAWING NO C-1318125 RESTRICTED TO —	
MATERIAL SEE NOTE	FINISH SEE NOTE	CUSTOMER DRAWING	SCALE 4:1	SHEET 2 OF 2