

MATERIALS AND FINISHES

BODY: BRASS  
PLATED: NICKEL

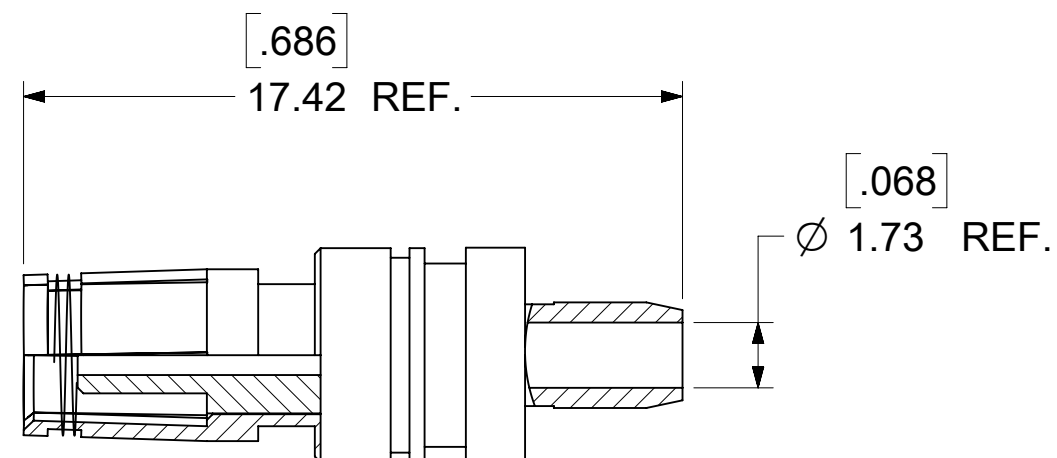
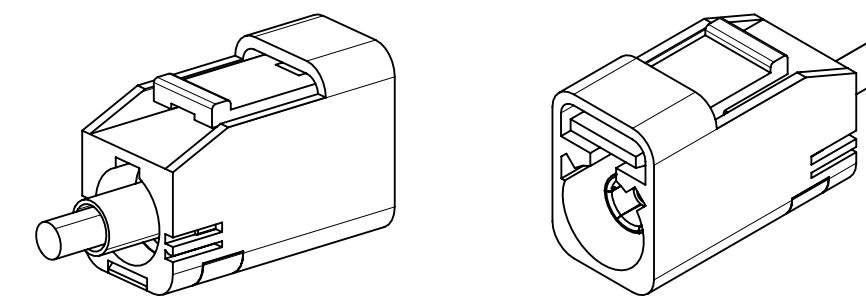
CENTER CONTACT: PHOSPOR BRONZE  
PLATED: GOLD

CRIMP TUBE: BRASS  
PLATED: NICKEL

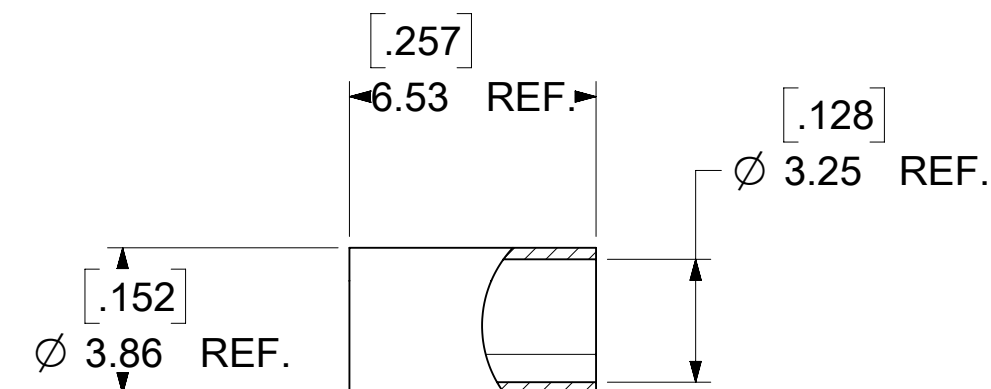
OUTER CASING: NYLON 66 OR EQUIVALENT  
KEYING: SEE TABLE  
COLOR: SEE TABLE

INSULATOR: PP

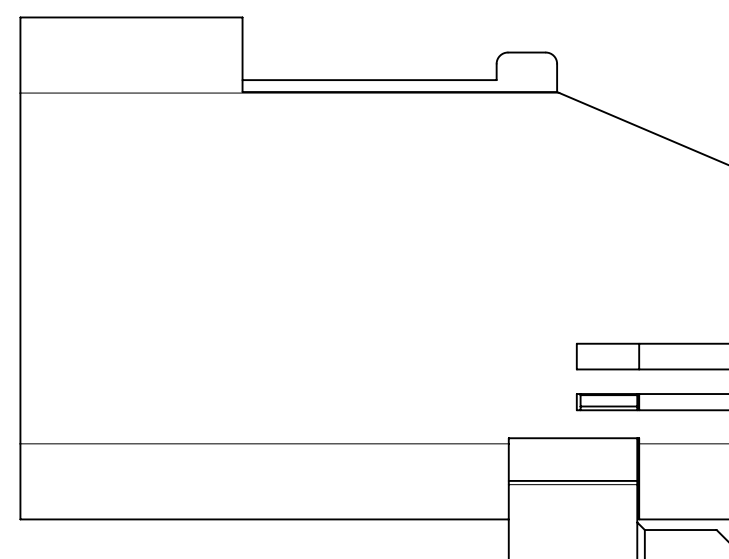
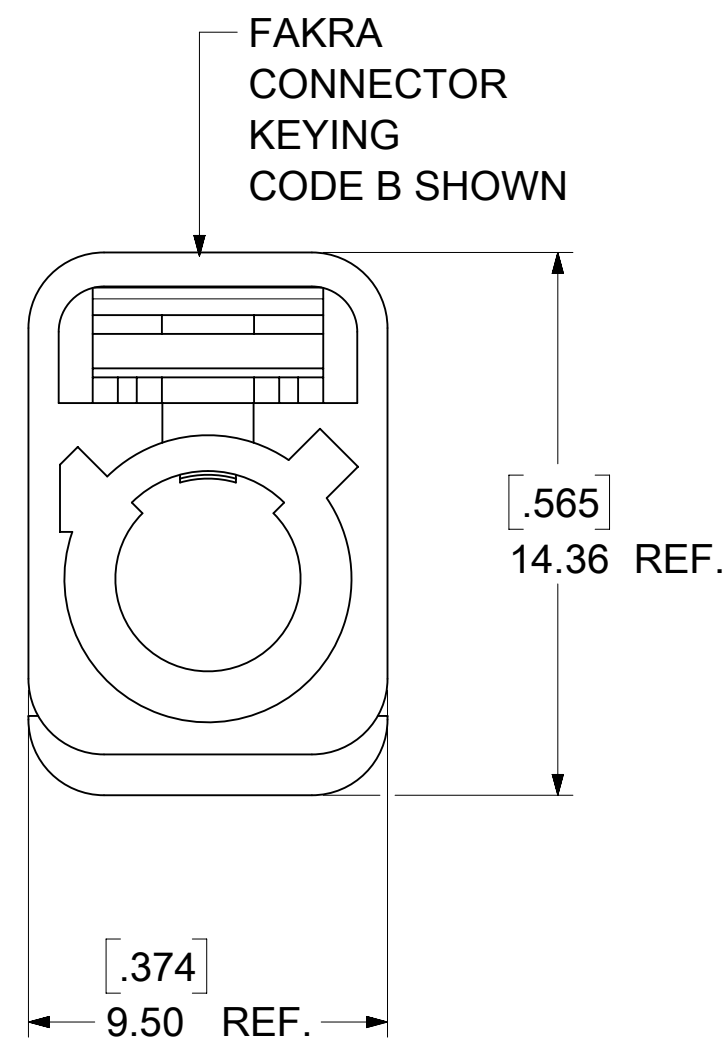
PACKAGING BY SINGLE BAG



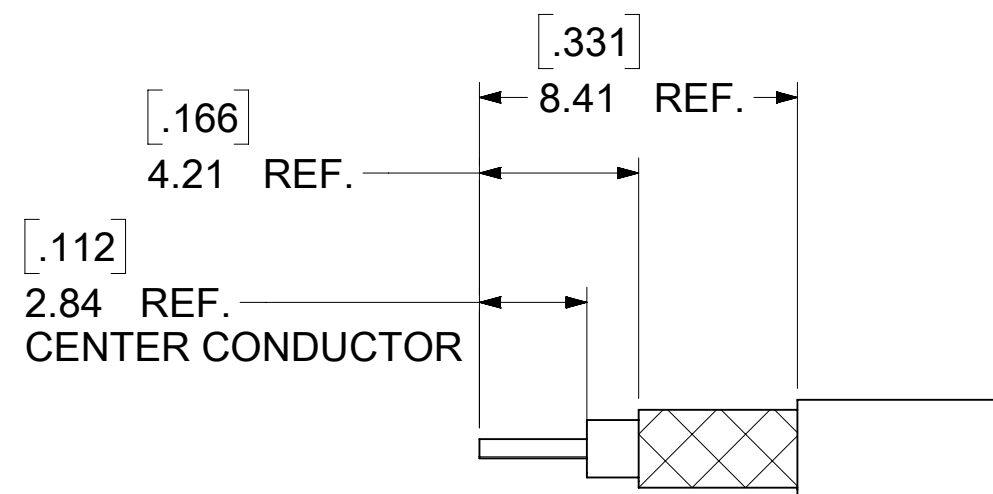
CENTER CONTACT  
PART NO.: 89538-0781



CRIMP TUBE  
PART NO.: 89613-1792



SECONDARY LOCK  
(TPA)

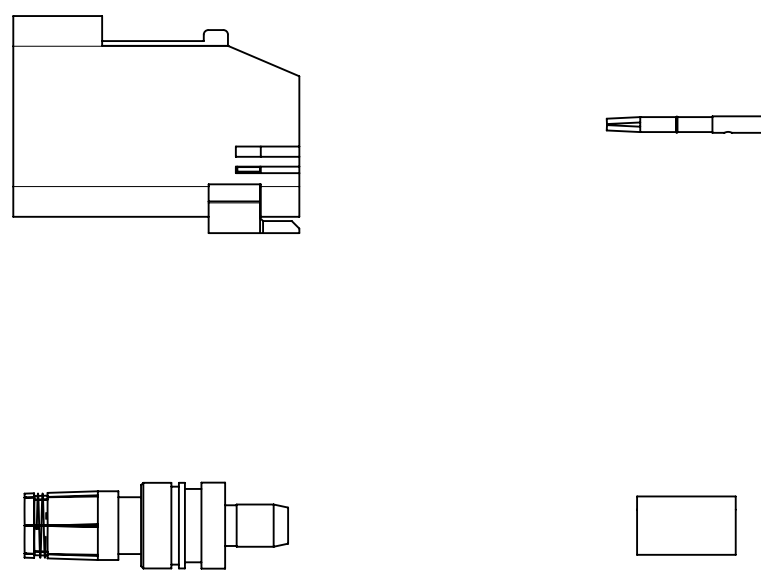


RECOMMENDED CABLE STRIP DIM.

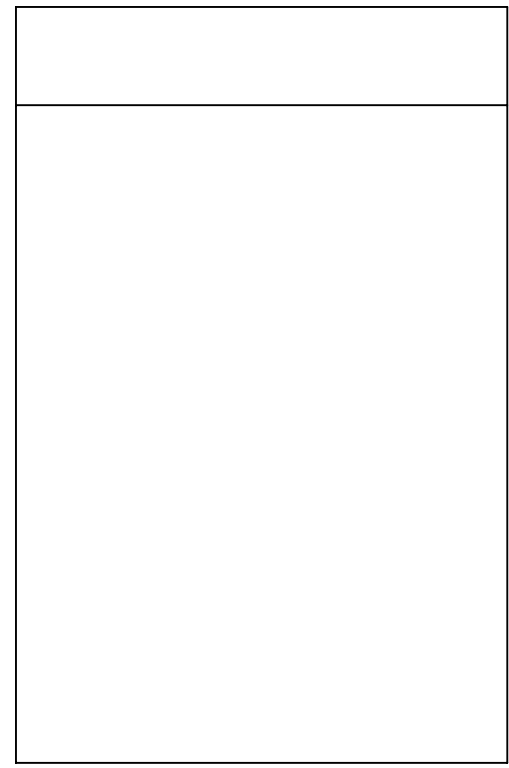
AS-73597-045	ASSEMBLY INSTYUCTION
PS-89675-331	PRODUCT SPECIFICATION
DIN 72594-1	INTERFACE SPECIFICATION
SPECIFICATION	DESCRIPTION

FUNCTIONAL SYMBOLS $\nabla_A = 0$ $\nabla_C = 0$ $\nabla_P = 0$	THIS DRAWING CONTAINS INFORMATION THAT IS PROPRIETARY TO MOLEX ELECTRONIC TECHNOLOGIES, LLC AND SHOULD NOT BE USED WITHOUT WRITTEN PERMISSION														
	DIMENSION UNITS	SCALE	CURRENT REV DESC: ADDED NOTE PER EWR # 15738-A												
	HYBRID	NTS													
	GENERAL TOLERANCES (UNLESS SPECIFIED)			EC NO: 744129								2023/03/23			
ANGULAR TOL $\pm 2.0^\circ$			DRWN: ELIN								2023/03/31				
4 PLACES $\pm$			CHK'D: YCHENG								2023/03/31				
3 PLACES $\pm$			APPR: YCHENG								2023/03/31				
2 PLACES $\pm$			INITIAL REVISION:								DOCUMENT NUMBER		DOC TYPE	DOC PART	REVISION
1 PLACE $\pm$			DRWN: ELIN								SD-73403-626		PSD	001	A3
0 PLACES $\pm$			APPR: MHUANG								MATERIAL NUMBER		CUSTOMER		SHEET NUMBER
DRAFT WHERE APPLICABLE MUST REMAIN WITHIN DIMENSIONS			THIRD ANGLE PROJECTION		DRAWING		SERIES		SEE TABLE		GENERAL MARKET		1 OF 3		





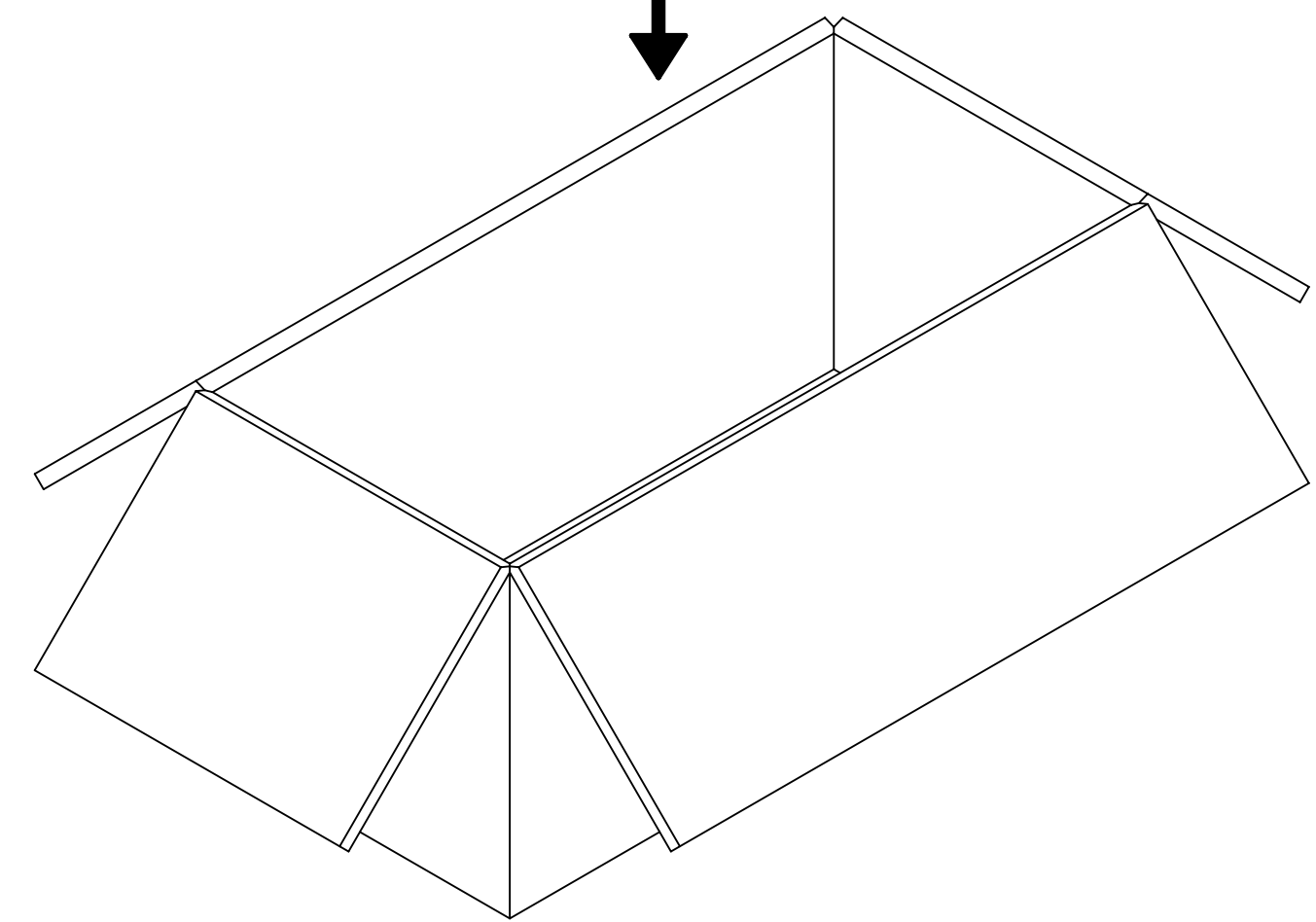
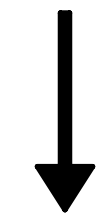
SHROUD WITH TPA x1  
 CRIMP TUBE x1  
 SMB SUB ASSY x1  
 CENTER CONTACT x1



1 SET PER BAG  
 BAG P/N: 89707-0317



50 SET PER BAG  
 BAG P/N: 89707-0174  
 6" x 12"



500 SET PER CARTON BOX  
 P/N: 96707-0002  
 367\*176\*188mm

FUNCTIONAL SYMBOLS $\frac{F}{A} = 0$ $\frac{F}{C} = 0$ $\frac{F}{P} = 0$	THIS DRAWING CONTAINS INFORMATION THAT IS PROPRIETARY TO MOLEX ELECTRONIC TECHNOLOGIES, LLC AND SHOULD NOT BE USED WITHOUT WRITTEN PERMISSION													
	DIMENSION UNITS	SCALE	CURRENT REV DESC: ADDED NOTE PER EWR # 15738-A											
	HYBRID	NTS												
	GENERAL TOLERANCES (UNLESS SPECIFIED)			EC NO: 744129							2023/03/23			
ANGULAR TOL $\pm 2.0^\circ$			DRWN: ELIN							2023/03/31				
4 PLACES $\pm$			CHK'D: YCHENG							2023/03/31				
3 PLACES $\pm$			APPR: YCHENG							2023/03/31				
2 PLACES $\pm$			INITIAL REVISION:							DOCUMENT NUMBER				
1 PLACE $\pm$			DRWN: ELIN							SD-73403-626				
0 PLACES $\pm$			APPR: MHUANG							PSD 001 A3				
DRAFT WHERE APPLICABLE MUST REMAIN WITHIN DIMENSIONS			THIRD ANGLE PROJECTION		DRAWING		SERIES		MATERIAL NUMBER		CUSTOMER		SHEET NUMBER	
					C-SIZE		73403		SEE TABLE		GENERAL MARKET		3 OF 3	