

6

5

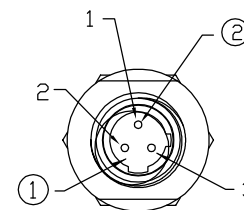
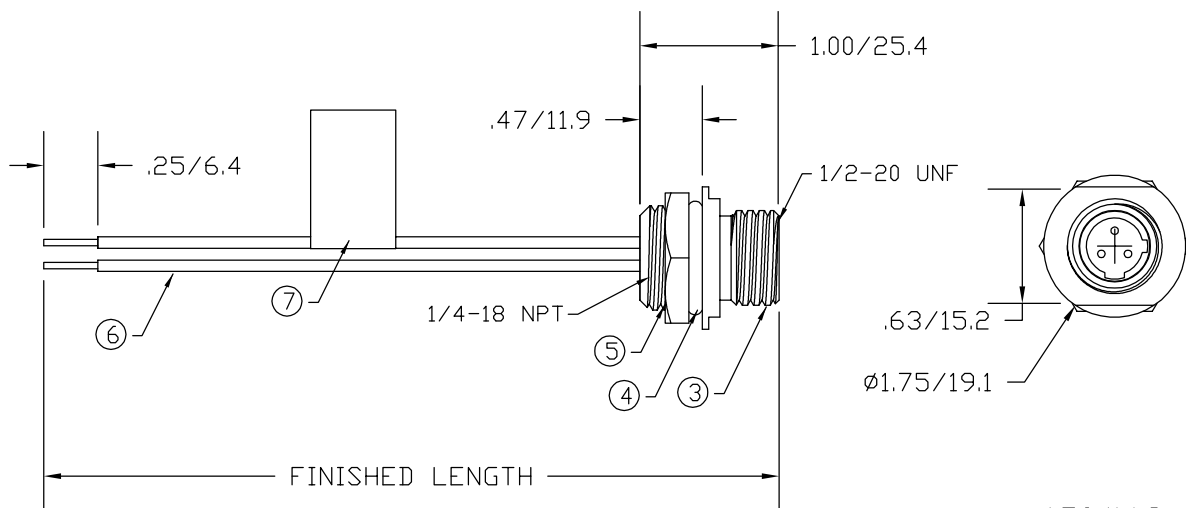
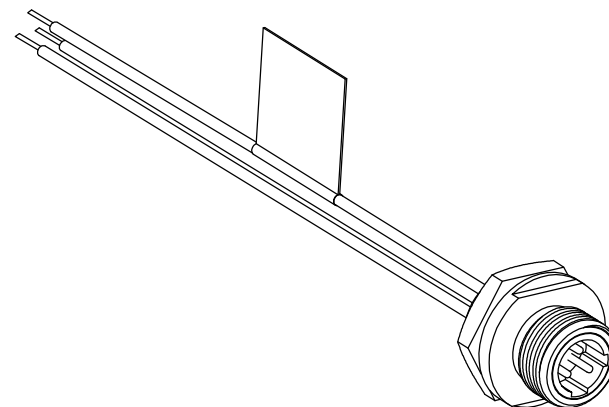
4

3

2

1

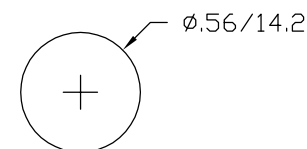
MATERIAL NUMBER	OLD PART NUMBER	FINISHED LENGTH
120074-0079	7R3A06A19A120	12.0" +.75" -0 [1.3M +19.1 -0]
120074-0081	7R3A06A19F060	6.0" +3.50" -0 [1.8M +88.9 -0]



MALE FACE VIEW

1	GREEN
2	RED-BLACK
3	RED-WHITE

WIRING DIAGRAM



TYPICAL KNOCKOUT HOLE

VOLTAGE RATING	250 VAC/VDC
AMPERAGE RATING	4 AMPS
PROTECTION	IP67
OPERATING TEMPERATURE	-20°C TO 80°C
UL CERTIFICATIONS	UL LISTED, FILE NO. E152210
CSA CERTIFICATIONS	CSA CERTIFIED, FILE NO. LR6837

ITEM	COMPONENT	MATERIAL	FINISH
1	INSERT	NYLON	BLACK
2	CONTACT PIN	COPPER ALLOY	GOLD OVER NICKEL
3	RECEPTACLE SHELL	ALUMINUM	GRAY ANODIZED
4	O-RING	NITRILE	BLACK
5	LOCKNUT	STEEL	ZINC PLATED
6	CONDUCTOR -22 AWG, 26 x #36 STRANDING, 300 VOLTS	PVC	SEE WIRING DIAGRAM
7	FLAG LABEL	MYLAR	BLACK/YELLOW

RLSD DRAWING	3/27/09
EC NO: WNA209-0631	DRWN: BWOODMAN
CHKD: JM	APPR: JFMURPHY
2009/04/01	
DESCRIPTION	
REV	
A	

QUALITY SYMBOLS
$\nabla = 0$
$\nabla / = 0$

GENERAL TOLERANCES (UNLESS SPECIFIED)

	mm	INCH
4 PLACES	±---	±---
3 PLACES	±---	±---
2 PLACES	±---	±.01
1 PLACE	±0.3	±---

ANGULAR ±---°

DRAFT WHERE APPLICABLE  
MUST REMAIN  
WITHIN DIMENSIONSDIMENSION STYLE  
IN/MM

DRAWN BY DATE

BW 2009/03/27

CHECKED BY DATE

TW 2009/03/27

APPROVED BY DATE

---

SCALE

---

DESIGN UNITS

---

THIRD ANGLE PROJECTION

TITLE  
MICRO-CHANGE RECEPTACLE  
3 POLE MALE  
1/4-18 NPT

molex MOLEX INCORPORATED

MATERIAL NO.  
SEE CHARTDOCUMENT NO.  
SD-120074-001SHEET NO.  
1 OF 1SIZE  
A

THIS DRAWING CONTAINS INFORMATION THAT IS PROPRIETARY TO MOLEX INCORPORATED AND SHOULD NOT BE USED WITHOUT WRITTEN PERMISSION

6

5

4

3

2

1

E

E

D

D

C

C

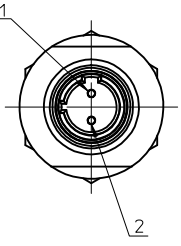
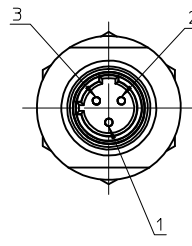
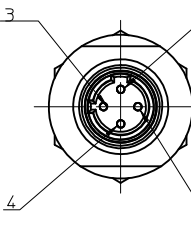
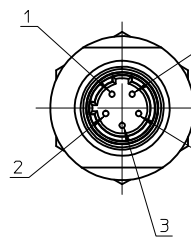
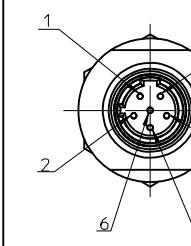
B

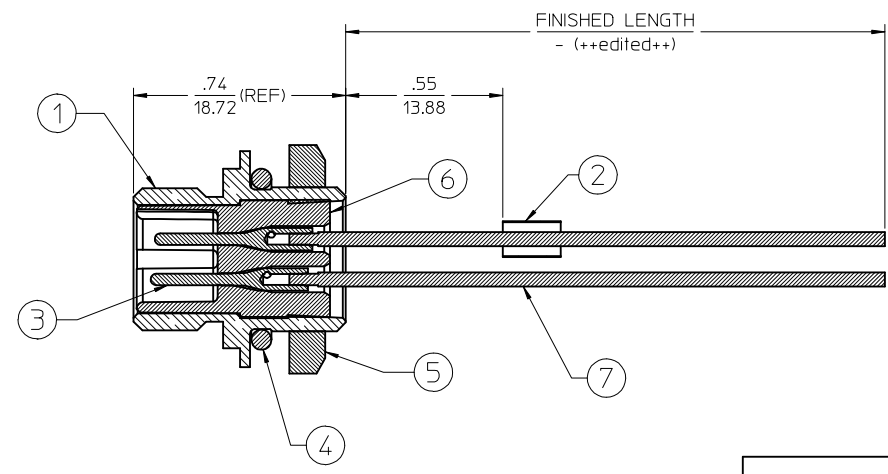
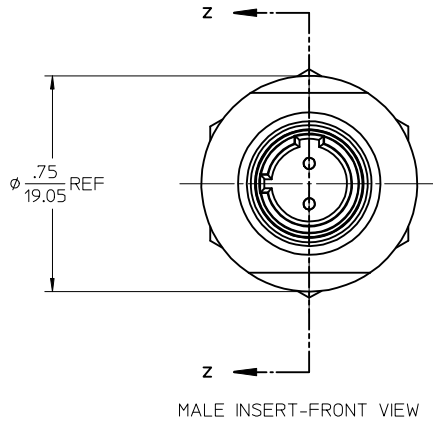
B

A

A

# FACE VIEW - MALE INSERT SCALE 2 : 1

				
<p>1 BROWN 2 BLUE</p>	<p>1 GREEN 2 RED/BLACK 3 RED/WHITE</p>	<p>1 RED/BLACK 2 RED/WHITE 3 RED 4 GREEN</p>	<p>1 RED/WHITE 2 RED 3 GREEN 4 RED/YELLOW 5 RED/BLACK</p>	<p>1 RED/WHITE 2 RED 3 GREEN 4 RED/YELLOW 5 RED/BLACK 6 RED/BLUE</p>



FINAL ASSEMBLY  
1200740030 (SHOWN)

<b>ENTER DESCRIPTION</b> EC NO: MNA2010-0078 DRAWN: NKUMAR01 CHKD: 2009/08/27 APPR: JFMURPHY 2009/08/28	<b>QUALITY SYMBOLS</b> ▽=0 ▽=0	<b>GENERAL TOLERANCES (UNLESS SPECIFIED)</b> <table border="1" style="width: 100%; border-collapse: collapse;"> <thead> <tr> <th></th> <th>mm</th> <th>INCH</th> </tr> </thead> <tbody> <tr> <td>4 PLACES</td> <td>± .010</td> <td>± .0004</td> </tr> <tr> <td>3 PLACES</td> <td>± .015</td> <td>± .0006</td> </tr> <tr> <td>2 PLACES</td> <td>± .020</td> <td>± .0008</td> </tr> <tr> <td>1 PLACE</td> <td>± .030</td> <td>± .0012</td> </tr> </tbody> </table> ANGULAR ±1/2°		mm	INCH	4 PLACES	± .010	± .0004	3 PLACES	± .015	± .0006	2 PLACES	± .020	± .0008	1 PLACE	± .030	± .0012	<b>DIMENSION STYLE</b> IN/MM DRAWN BY: NKUMAR01 DATE: 26/08/09 CHECKED BY: BWOODMAN DATE: 26/08/09 APPROVED BY: JFMURPHY DATE: 2009/08/27	<b>SCALE</b> 2:1 <b>DESIGN UNITS</b> INCH	THIRD ANGLE PROJECTION <b>TITLE</b> MIC 2P MR 12IN. 1/4NPT #22 PVC	SHEET NO. 1 OF 2
		mm	INCH																		
	4 PLACES	± .010	± .0004																		
	3 PLACES	± .015	± .0006																		
2 PLACES	± .020	± .0008																			
1 PLACE	± .030	± .0012																			
MATERIAL NO. <b>SEE SHEET 2</b>	DRAFT WHERE APPLICABLE MUST REMAIN WITHIN DIMENSIONS		MOLEX INCORPORATED DOCUMENT NO. <b>SD-120074-030</b>		THIS DRAWING CONTAINS INFORMATION THAT IS PROPRIETARY TO MOLEX INCORPORATED AND SHOULD NOT BE USED WITHOUT WRITTEN PERMISSION																
REV A																					

MALE RECEPTACLE ASSEMBLY

Sl. No.	DESCRIPTION	QUANTITY				
		2 POLE	3 POLE	4 POLE	5 POLE	6 POLE
1	RECEPTACLE SHELL #1/4-18 NPT	1	1	1	1	1
2	LABEL,SELF L.YELLOW(2.25X.75IN)	1	1	1	1	1
3	PIN CONT 2-4P MIC GLD #22AWG	2	3	4		
	PIN CONT 5&6P MICGLD #22AWG				5	6
4	O-RING .489 ID X .070 THK	1	1	1	1	1
5	#1/4-18IN NPS LOCKNUT	1	1	1	1	1
6	MIC 2P MALE INSERT (NYLON)	1				
	MIC 3P MALE INSERT (NYLON)		1			
	MIC 4P MALE INSERT (NYLON)			1		
	MIC 5P MALE INSERT (NYLON)				1	
	MIC 6P MALE INSERT (NYLON)					1
7	#22-1 BLU PVC WIRE UL1061	1				
	#22-1 GRN PVC WIRE UL1061		1	1	1	1
	#22-1 BRN PVC WIRE UL1061	1				
	#22-1 RED PVC WIRE UL1061			1	1	1
	#22-1 RED/WHT PVC WIRE UL1061		1	1	1	1
	#22-1 RED/BLK PVC WIRE UL1061		1	1	1	1
	#22-1 RED/BLU PVC WIRE UL1061					1
	#22-1 RED/YEL PVC WIRE UL1061				1	1

PART NUMBER	DESCRIPTION	FINISHED LENGTH
1200740030	7R2A06A19A120	12.0" +.75" -0 [0.3M +19.1MM -0]
1200740079	7R3A06A19A120	12.0" +.75" -0 [0.3M +19.1MM -0]
1200740140	7R4A06A19A120	12.0" +.75" -0 [0.3M +19.1MM -0]
1200740190	7R5A06A19A120	12.0" +.75" -0 [0.3M +19.1MM -0]
1200740241	7R6A06A19A120	12.0" +.75" -0 [0.3M +19.1MM -0]

<b>ENTER DESCRIPTION</b> EC NO: MNA2010-0078 DRAWN BY: DRWINAKUMAR01 2009/08/26 CHKD: 2009/08/27 APPR: JFMURPHY 2009/08/28 REV: A	<b>QUALITY SYMBOLS</b> 	<b>GENERAL TOLERANCES (UNLESS SPECIFIED)</b>		DIMENSION STYLE <b>IN/MM</b>	SCALE <b>2:1</b>	DESIGN UNITS <b>INCH</b>	THIRD ANGLE PROJECTION		
		4 PLACES ± --- ± --- 3 PLACES ± --- ± --- 2 PLACES ± --- ± --- 1 PLACE ± --- ± ---	mm INCH ± --- ± --- ± --- ± --- ± --- ± ---	DRAWN BY NKUMAR01	DATE 26/08/09	TITLE <b>MIC 2P MR 12IN. 1/4NPT #22 PVC</b>			
		ANGULAR ±1/2°		CHECKED BY BWOODMAN	DATE 26/08/09	APPROVED BY JFMURPHY			
		DRAFT WHERE APPLICABLE MUST REMAIN WITHIN DIMENSIONS		MATERIAL NO. <b>SEE CHART</b>	DATE 2009/08/27	DOCUMENT NO. <b>SD-120074-030</b>	SHEET NO. 2 OF 2		



**MOLEX INCORPORATED**

THIS DRAWING CONTAINS INFORMATION THAT IS PROPRIETARY TO MOLEX INCORPORATED AND SHOULD NOT BE USED WITHOUT WRITTEN PERMISSION