

Sensor/actuator box - SACB-8/ 8-L-PUR SCO OTB 1,5M - 1437245

Please be informed that the data shown in this PDF Document is generated from our Online Catalog. Please find the complete data in the user's documentation. Our General Terms of Use for Downloads are valid (<http://phoenixcontact.com/download>)



The figure shows the top and bottom side of the article

Sensor/actuator box, application: Standard, connection method: M12-SPEEDCON-socket Metal, number of slots: 8, number of positions: 4, coding: A - standard, slot assignment: single, status display: yes, pnp; master cable connection: Rear master cable connection 270°, PVC, cable length: 1.5 m, shielding: no

Your advantages

- ✓ Safety in the field, thanks to molded housing and high degree of protection
- ✓ Flexible, distributed bundling of signals in one master cable
- ✓ Convenient: increased machine availability thanks to quick and easy diagnostics
- ✓ Save time, thanks to installation with SPEEDCON fast locking system
- ✓ Easy PLC system cabling, thanks to master connection on the back



Key Commercial Data

| | |
|--------------|---------------|
| Packing unit | 1 pc |
| GTIN | |
| GTIN | 4046356455619 |

Technical data

General

| | |
|--|--|
| Rated voltage | 24 V DC |
| Max. operating voltage U_{max} | 30 V DC |
| Current carrying capacity per I/O signal | 2 A |
| Current carrying capacity per slot | 4 A |
| Total rated current | 12 A |
| Number of positions | 4 |
| Number of slots | 8 |
| Sensor/actuator connection system | M12-SPEEDCON-socket |
| Note | NOTE: Observe the permissible bending radii when laying conductors, since the degree of protection may be put in jeopardy if the bending |

Sensor/actuator box - SACB-8/ 8-L-PUR SCO OTB 1,5M - 1437245

Technical data

General

| | |
|--|--|
| | forces are too high. Alleviate mechanical loads upstream of the connector, e.g. by using cable ties. |
| | Unused slots are to be sealed off prior to commissioning. Suitable sealing elements are to be found under "Accessories". |

Ambient conditions

| | |
|---|---|
| Degree of protection | IP54 (with sealed mounting holes) |
| Ambient temperature (operation) | -30 °C ... 80 °C |
| Ambient temperature (storage/transport) | -30 °C ... 90 °C |
| Ambient temperature (operation) | -40 °C ... 90 °C (for fixed installation) |
| | -5 °C ... 80 °C (for flexible installation) |

Local diagnostics function

| | |
|-------------------|-------------------------------|
| Local diagnostics | Supply voltage Green LED |
| | Status display I/O Yellow LED |

Master cable data/connection data

| | |
|--|------------------------------|
| Connection method | Rear master cable connection |
| Length of cable | 1.5 m |
| Signal line cross section | 8x 0.34 mm ² |
| AWG signal line | 22 |
| Conductor structure signal line | 42x 0.10 mm |
| Power supply cross section | 3x 0.75 mm ² |
| AWG power supply | 19 |
| Conductor structure, voltage supply | 96x 0.10 mm |
| Tightening torque slot sensor/actuator cable | 0.4 Nm |
| Tightening torque of mounting screw for fixing the housing | 0.5 Nm |

Insulation material

| | |
|-------------------------------------|------------------------------|
| Housing material | PBT |
| Material of the moulding mass | PUR |
| Contact material | Cu alloy |
| Contact surface material | gold-plated |
| Contact carrier material | PA |
| Material of threaded sleeve | Zinc die-cast |
| Material of threaded sleeve surface | Nickel-plated |
| O-ring material | NBR |
| Sealing material | CR (flat gasket on the back) |

Pin assignment

| | |
|--|----------------|
| Slot/position = Wire color or connection | 1 / 4 (A) = WH |
| | 2 / 4 (A) = GN |
| | 3 / 4 (A) = YE |
| | 4 / 4 (A) = GY |

Sensor/actuator box - SACB-8/ 8-L-PUR SCO OTB 1,5M - 1437245

Technical data

Pin assignment

| | |
|--|-----------------------|
| | 5 / 4 (A) = PK |
| | 6 / 4 (A) = RD |
| | 7 / 4 (A) = BK |
| | 8 / 4 (A) = VT |
| | 1-8 / 1 (+ 24 V) = BN |
| | 1-8 / 3 (0 V) = BU |
| | 1-8 / 5 (PE) = GN/YE |

Standards and Regulations

| | |
|-----------------------|-----------------|
| Standard designation | M12 connector |
| Standards/regulations | IEC 61076-2-101 |

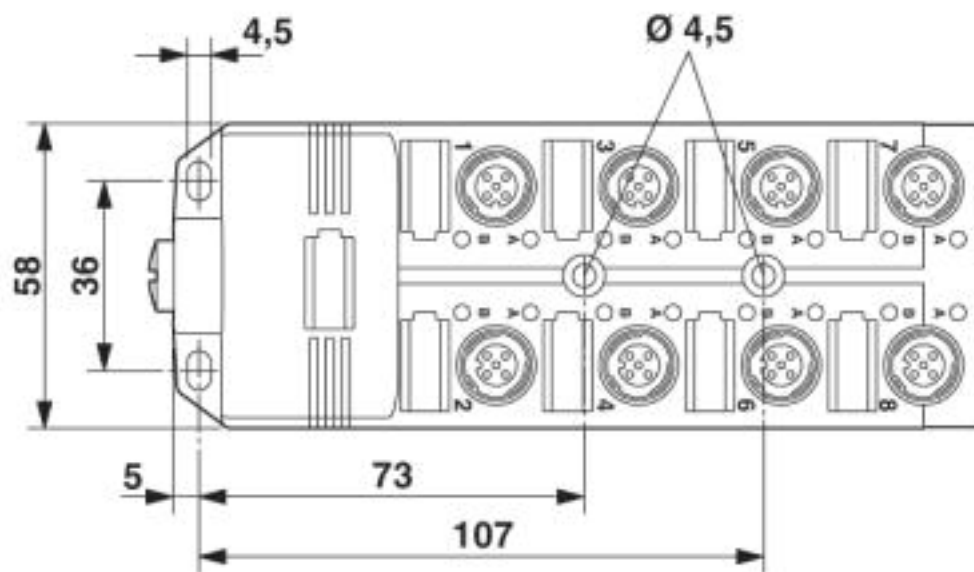
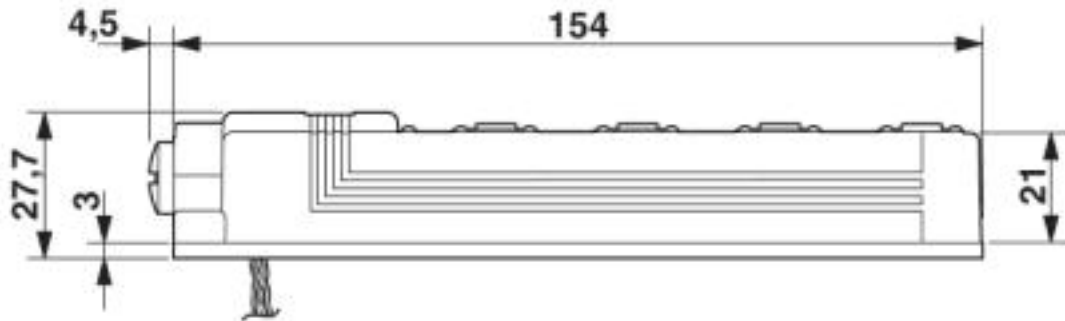
Environmental Product Compliance

| | |
|------------|---|
| China RoHS | Environmentally Friendly Use Period = 50 |
| | For details about hazardous substances go to tab "Downloads", Category "Manufacturer's declaration" |

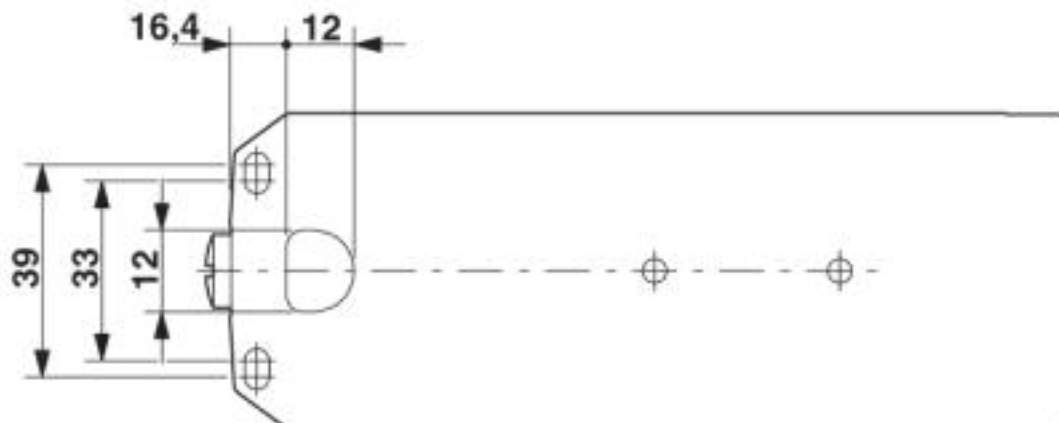
Drawings

Sensor/actuator box - SACB-8/ 8-L-PUR SCO OTB 1,5M - 1437245

Dimensional drawing

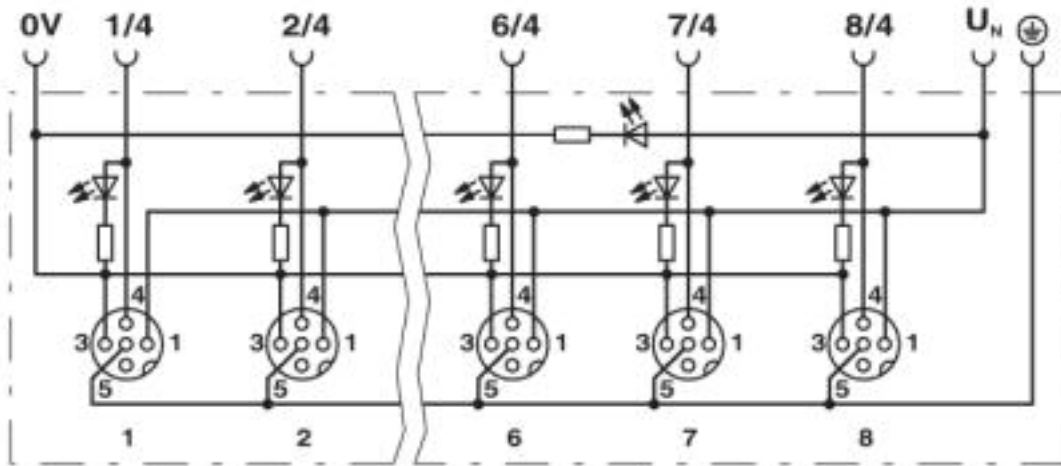


Dimensional drawing



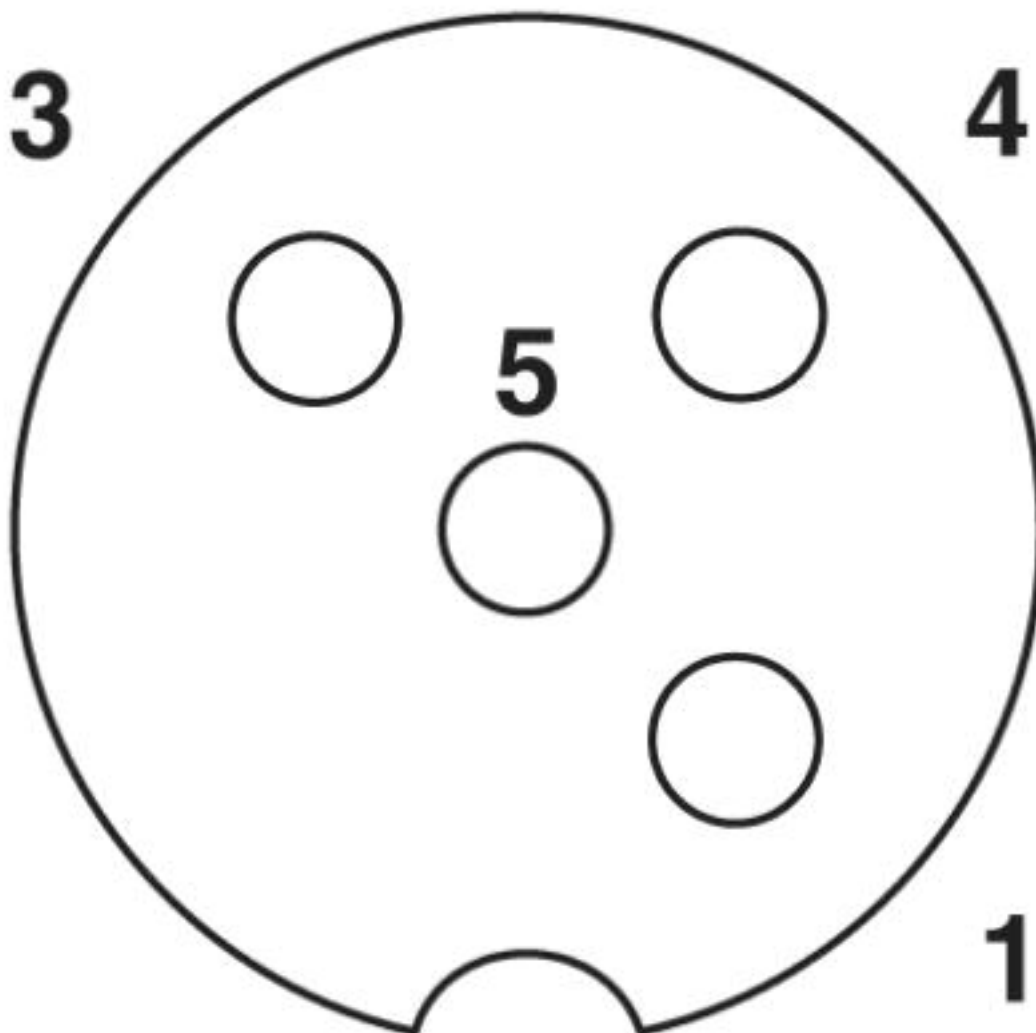
Sensor/actuator box - SACB-8/ 8-L-PUR SCO OTB 1,5M - 1437245

Circuit diagram



Sensor/actuator box - SACB-8/ 8-L-PUR SCO OTB 1,5M - 1437245

Schematic diagram



Pin assignment of M12 socket, 4-pos.

Sensor/actuator box - SACB-8/ 8-L-PUR SCO OTB 1,5M - 1437245

Cable cross section



PUR/PVC black [PUR]

Approvals

Approvals

Approvals

EAC

Ex Approvals

Approval details

Sensor/actuator box - SACB-8/ 8-L-PUR SCO OTB 1,5M - 1437245

Approvals

EAC



EAC-Zulassung

Phoenix Contact 2019 © - all rights reserved
<http://www.phoenixcontact.com>

PHOENIX CONTACT GmbH & Co. KG
Flachsmarktstr. 8
32825 Blomberg
Germany
Tel. +49 5235 300
Fax +49 5235 3 41200
<http://www.phoenixcontact.com>