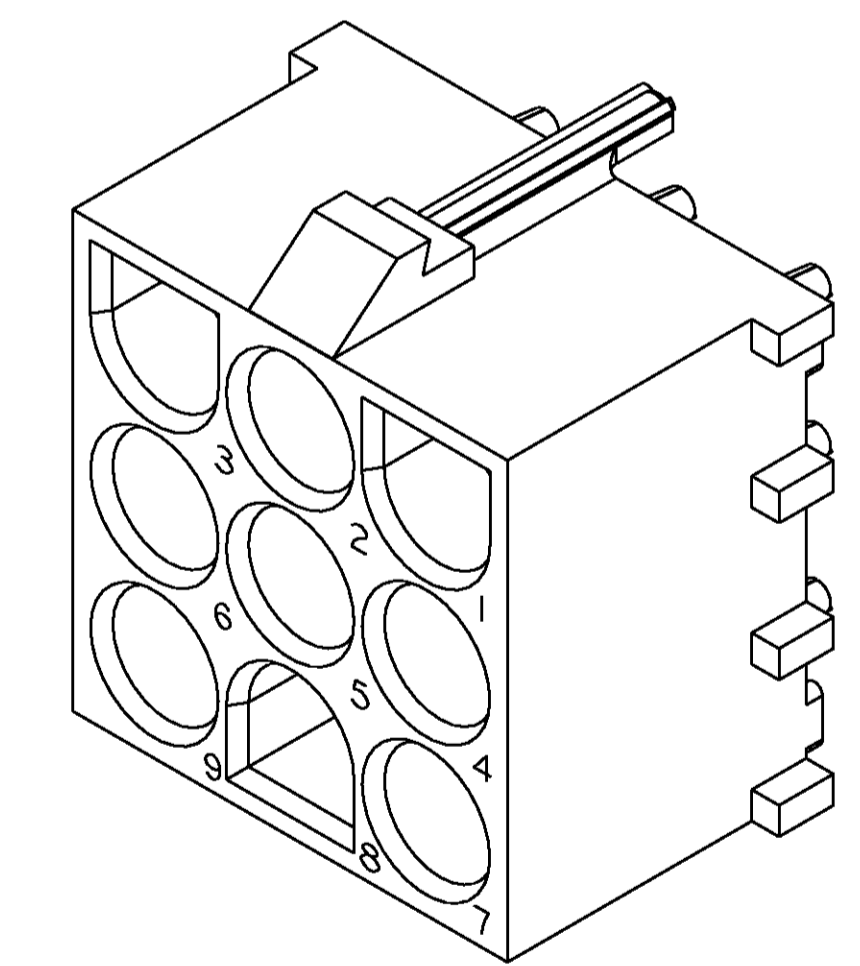
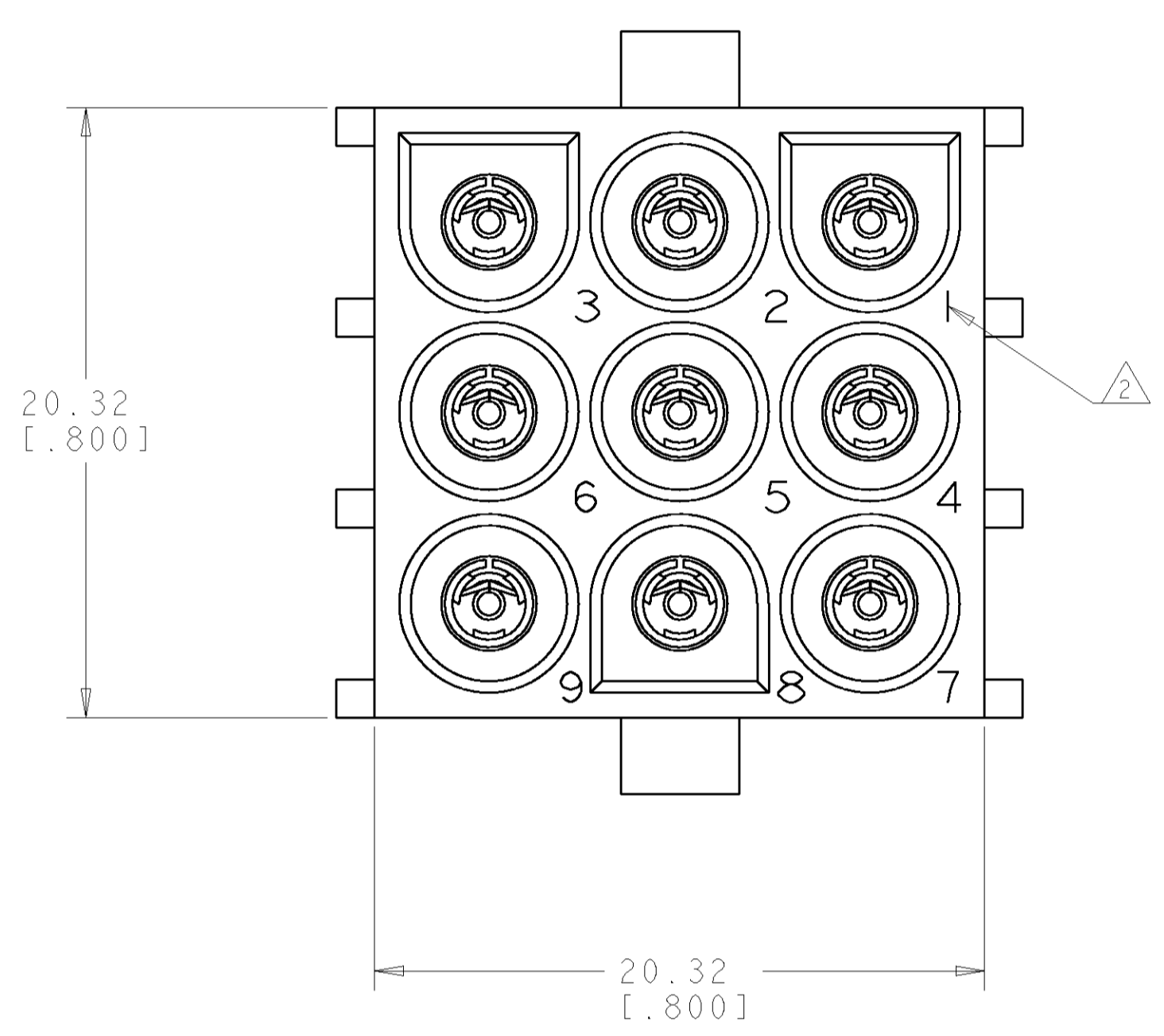
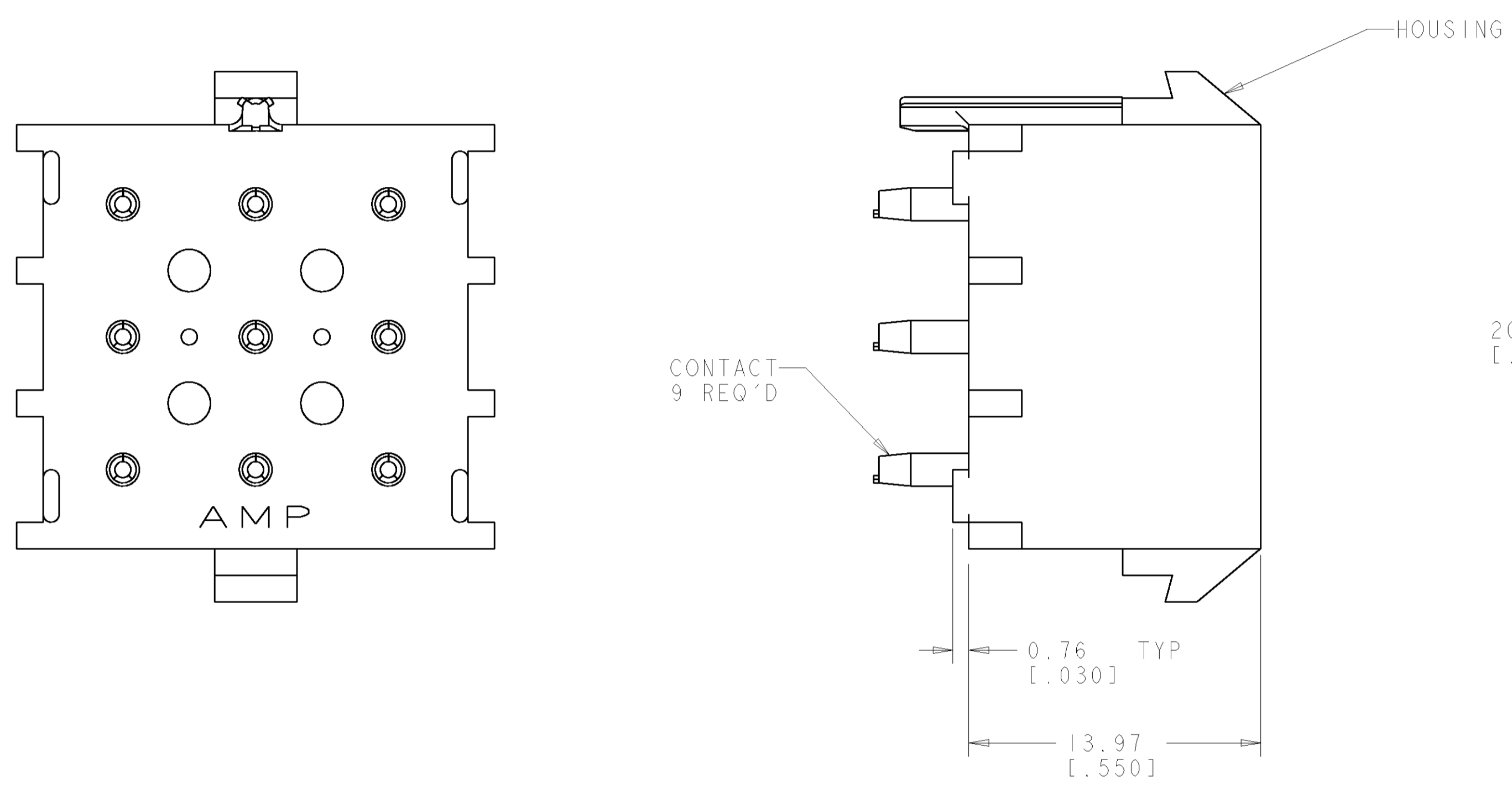
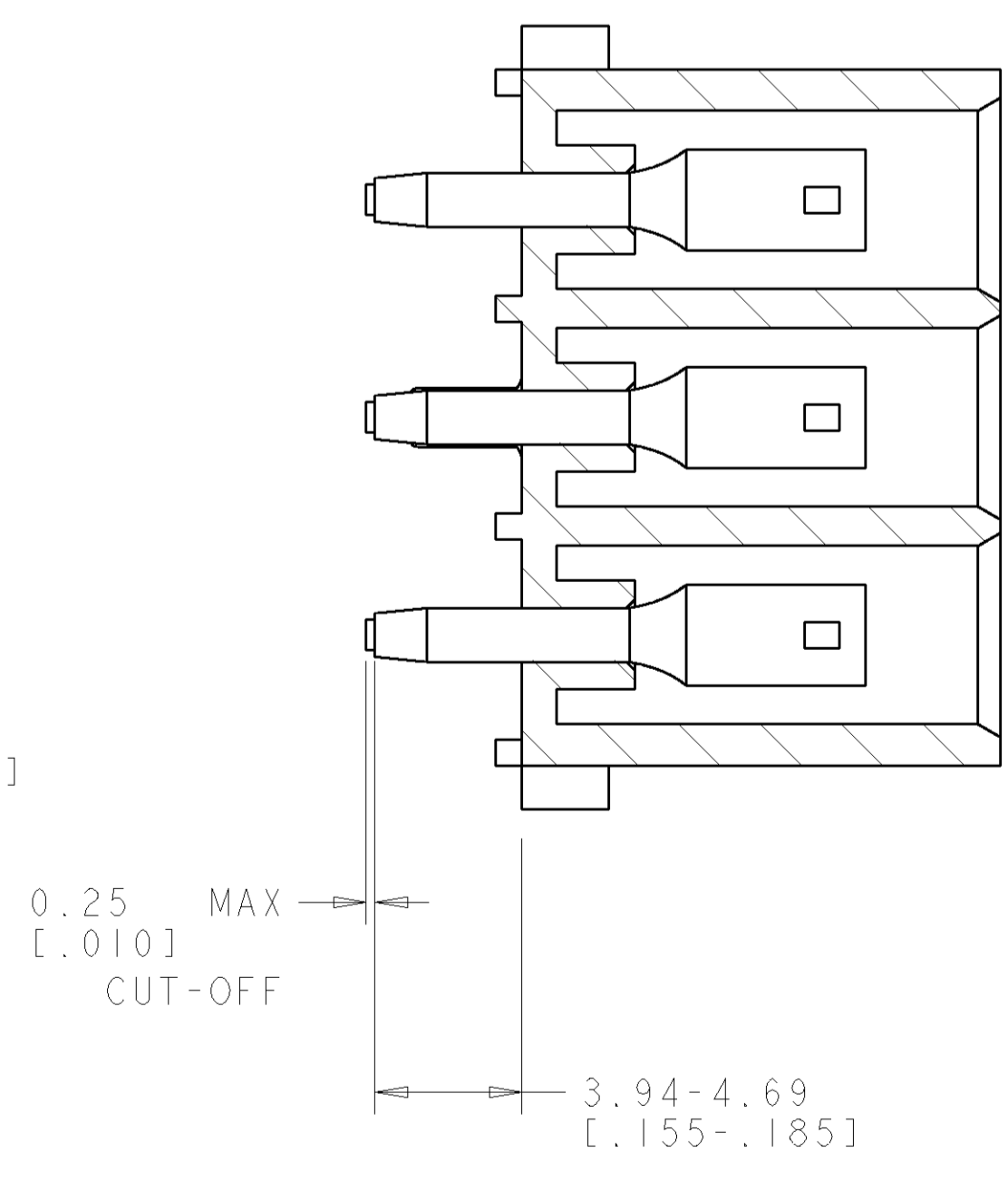
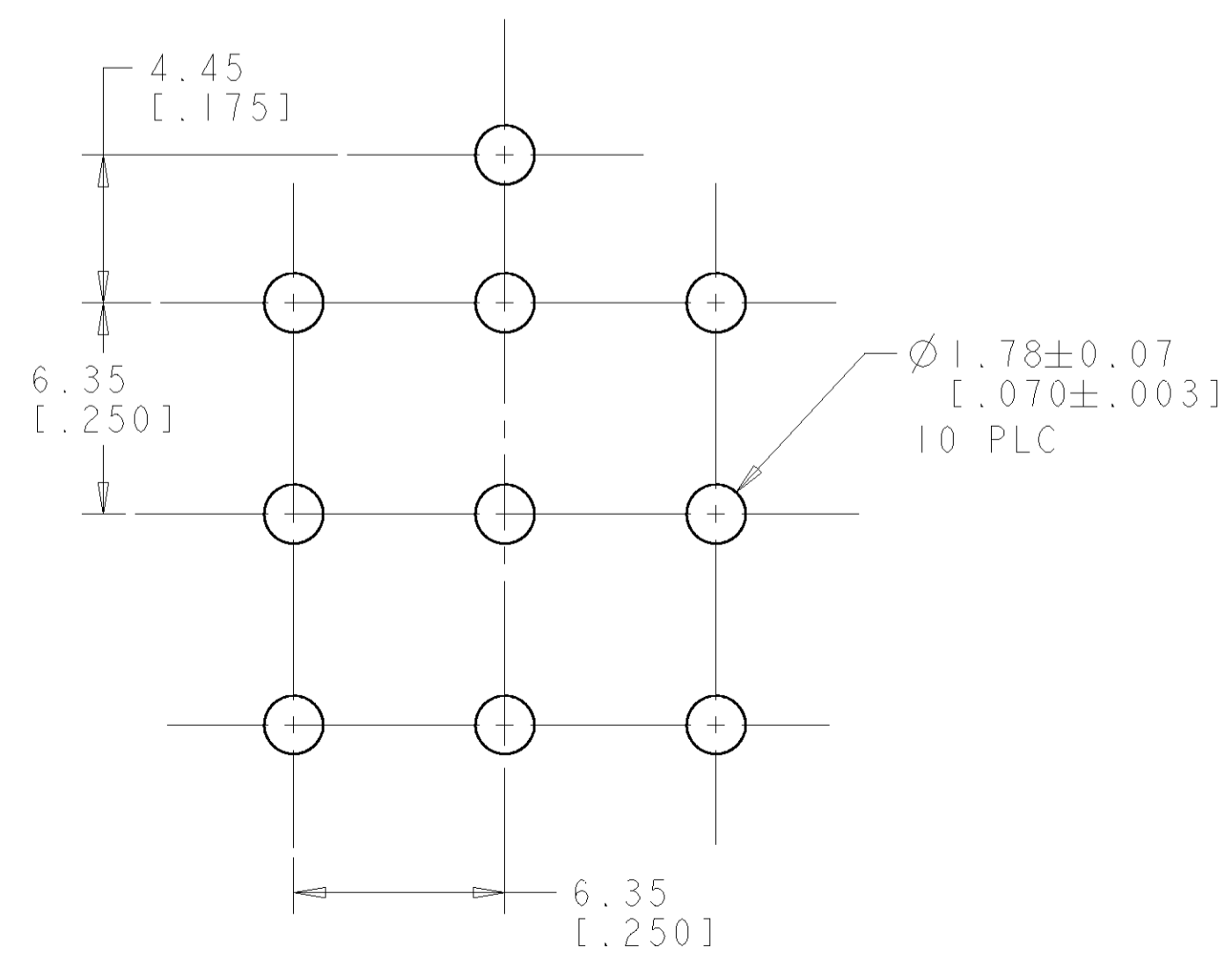


| LOC | | DIST | | REVISIONS | | | |
|-----|----|------|-----|--------------------------|-----------|-----|------|
| CM | 00 | P | LTR | DESCRIPTION | DATE | DWN | APVD |
| | | 0 | | REVISED PER 0638-0439-03 | 19-NOV-03 | KW | SR |

- PARTS COMPLY TO AMP SOLDERABILITY SPECIFICATION 109-11-3.
- CIRCUIT IDENTIFICATION CHARACTERS ARE ADJACENT TO THE INDICATED CAVITIES, BUT LOCATION AND ORIENTATION MAY DIFFER FROM PRINT.
- DIMENSIONS IN BRACKETS ARE IN INCHES.



3 DIMENSIONAL MODEL
SCALE 4:1



| | | | |
|--|--|--|---|
| PHOSPOR BRONZE, PRE-TIN PIN CONTACT MATERIAL AND FINISH | | NYLON, UL94V-0 HOUSING MATERIAL | 1586254-1 PART NUMBER |
| DIMENSIONS: mm [INCHES] TOLERANCES UNLESS OTHERWISE SPECIFIED: 9 PLC ± 2 PLC ± 3 PLC ±0.13(.005) 4 PLC ± ANGLES ±40°/30° FINISH SEE TABLE | | DWN R. WHITAKER 19-NOV-03 ENR S. RIDGILL 19-NOV-03 APVD S. RIDGILL 19-NOV-03 PRODUCT SPEC APPLICATION SPEC WEIGHT CUSTOMER DRAWING | Tyco Electronics Harrisburg, PA 17105-3608 NAME: HEADER ASSEMBLY, SOCKET, POLARIZED, 9 CIRCUIT, W/O DRAIN HOLES, UNIVERSAL MATE-N-LOK™ SIZE: A1 CAGE CODE: 00779 DRAWING NO: C=1586254 RESTRICTED TO: REV 0 |

