

### Atmel AT01080: XMEGA E Schematic Checklist

---

#### Atmel AVR XMEGA E

#### Features

---

- Power supplies
- Reset circuit
- Clocks and crystal oscillators
- PDI
- TWI

#### Introduction

---

This application note describes a common checklist which should be used when starting and reviewing the schematics for an Atmel® AVR® XMEGA® E design.

## Table of Contents

---

1. Power Supplies .....	3
1.1 Power supply connections .....	3
1.2 External analog reference connections .....	4
2. External Reset Circuit .....	4
3. Clocks and Crystal Oscillators .....	5
3.1 External clock source .....	5
3.2 Crystal oscillator .....	6
3.3 Real-time oscillator .....	6
4. PDI Interface .....	8
5. TWI Interface .....	9
6. Suggested Reading .....	9
6.1 Datasheets and manual .....	9
7. Revision History .....	10

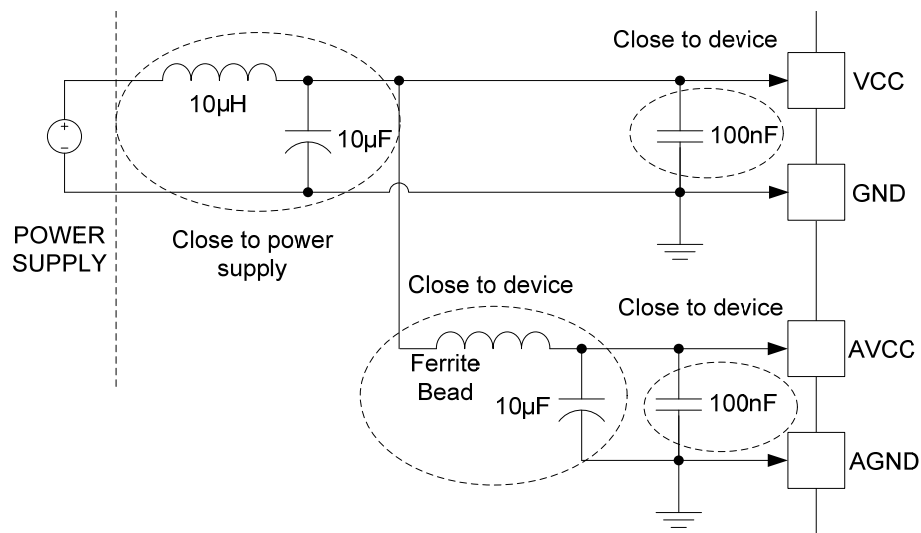
# 1. Power Supplies

## 1.1 Power supply connections

All power supply pins of the device must be connected to the microcontroller supply.

Both  $V_{CC}$  (digital) and  $AV_{CC}$  (analog) must be connected to the same microcontroller positive supply, thus ensuring that they both share an identical supply profile. Likewise both ground pins must be connected to the same microcontroller ground reference supply.

**Figure 1-1. Power supply schematic.**



**Table 1-1. Power supply checklist.**

Signal name	Recommended pin connection	Description
$V_{CC}$	1.6V to 3.6V Decoupling/filtering capacitors 100nF <sup>(1)(2)</sup> and 10µF <sup>(1)</sup> Decoupling/filtering inductor 10µH <sup>(1)(3)</sup>	Digital supply voltage
$AV_{CC}$	1.6V to 3.6V Decoupling/filtering capacitors 100nF <sup>(1)(2)</sup> and 10µF <sup>(1)</sup> Ferrite bead <sup>(4)</sup> prevents the $V_{CC}$ noise interfering the $AV_{CC}$	Analog supply voltage
GND		Ground

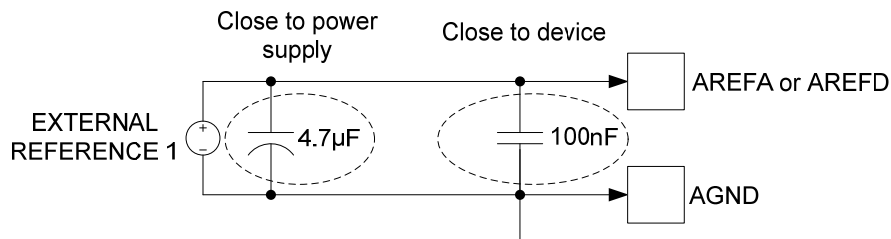
- Notes:
1. These values are given only as a typical example (that is, ceramic capacitors: 100nF, SMD 0402, X7R, 16V and 10µF, SMD1206, X5R, 6.3V) (that is, inductor: 10µH, 1.2A).
  2. Decoupling capacitor should be placed close to the device for each supply pin pair in the signal group, low ESR caps should be used for better decoupling.
  3. Wire wound inductor should be added between the external power and the  $V_{CC}$  for power filtering.
  4. Ferrite bead has better filtering performance than the common inductor at high frequency. It can be added between  $V_{CC}$  and  $AV_{CC}$  for preventing digital noise from entering the analog power. The BEAD should provide enough impedance (for example, 220Ω at 100MHz, rated current 200mA, that is, Murata BLM15BB221SN1D) for separating the digital power to the analog power.

## 1.2 External analog reference connections

Atmel AVR XMEGA E proposes one ADC using internal references or an external analog reference (AREFA on PORTA or AREFD on PORTD).

The following schematic checklist is only recommended if the design is using the external analog reference. If the internal reference is used, the circuit is not necessary.

**Figure 1-2. External  $V_{REF}$  schematic.**



**Table 1-2. External analog reference checklist.**

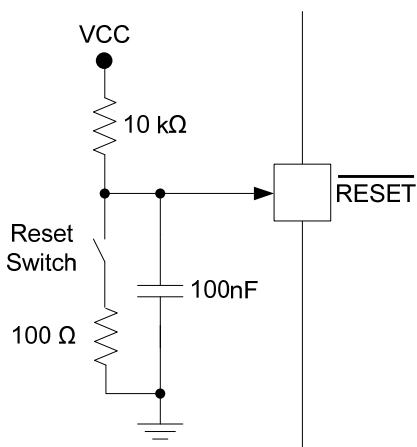
Signal name	Recommended pin connection	Description
AREFA	1.0V to $AV_{CC}-0.6V$ for ADC Decoupling/filtering capacitors 100nF <sup>(1)(2)</sup> and 4.7µF <sup>(1)</sup>	External reference from $A_{REF}$ pin on PORT A
AREFD	1.0V to $AV_{CC}-0.6V$ for ADC Decoupling/filtering capacitors 100nF <sup>(1)(2)</sup> and 4.7µF <sup>(1)</sup>	External reference from $A_{REF}$ pin on PORT D
GND		Ground

- Notes:
1. These values are given only as a typical example.
  2. Decoupling capacitor should be placed close to the device.

## 2. External Reset Circuit

The external reset circuit is connected to  $\overline{RESET}$  pin only if the external reset function is used.

**Figure 2-1. External reset circuit example schematic.**



**Table 2-1. Reset circuit checklist.**

Signal name	Recommended pin connection	Description
$\overline{\text{RESET}}$	Reset low level threshold voltage $V_{CC} = 2.7 - 3.6V$ : Below $0.45 \times V_{CC}$ $V_{CC} = 1.6 - 2.7V$ : Below $0.42 \times V_{CC}$ ( $V_{CC} = 2.7V$ included)	Reset pin

Notes: The pull-up resistor makes sure that reset does not go low unintended. When the PDI programming and debugging is used, the reset line is used as clock. The reset pull-up should be 10kΩ or weaker, or be removed.

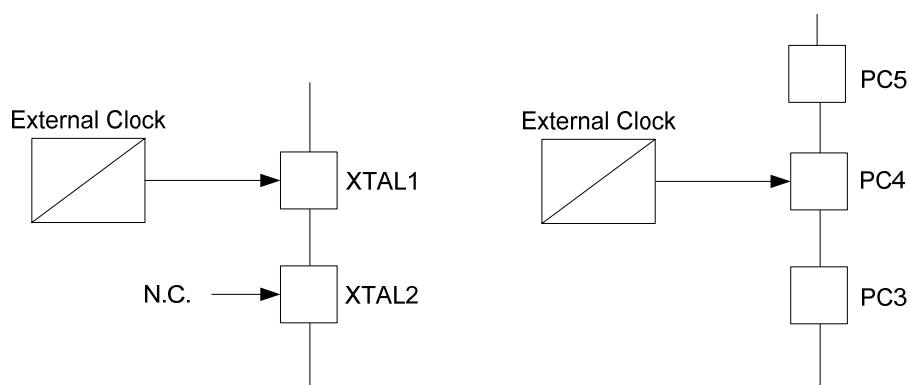
The pull-down resistor prevents from overvoltage on the RESET pin when the switch is pressed.

Any reset capacitors should be removed if PDI programming and debugging is used. Other external reset sources should be disconnected.

## 3. Clocks and Crystal Oscillators

### 3.1 External clock source

**Figure 3-1. External clock source example schematic.**



**Table 3-1. External clock source checklist.**

Signal name	Recommended pin connection	Description
XTAL1	XTAL1 is used as input for an external clock signal	EXTCLK: input for external clock signal on PORT R pin 1
XTAL2	Can be left unconnected or used as GPIO	
PC4	PC4 is used as input for an external clock signal	EXTCLK: input for external clock signal on PORT C pin 4

## 3.2 Crystal oscillator

Figure 3-2. Crystal oscillator example schematic.

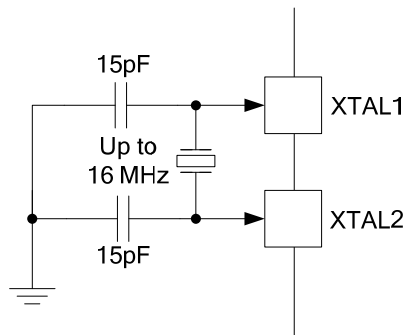


Table 3-2. Crystal oscillator checklist.

Signal name	Recommended pin connection	Description
XTAL1	Load capacitor 15pF <sup>(1)(2)</sup>	External crystal between 0.4MHz to 16MHz
XTAL2	Load capacitor 15pF <sup>(1)(2)</sup>	

- Notes:
1. These values are given only as a typical example. Please refer to the crystal datasheet to determine the capacitor value for the crystal used or refer to the application note [“AVR1003: Using the XMEGA Clock System”](#).
  2. Load capacitors should be placed close to the device and crystal pins.

## 3.3 Real-time oscillator

The low-frequency crystal oscillator is optimized for use with a 32.768kHz watch crystal. When selecting crystals, load capacitance and crystal’s equivalent series resistance, ESR must be taken into consideration. Both values are specified by the crystal vendor.

The Atmel AVR XMEGA E oscillator is optimized for very low power consumption, and thus when selecting crystals, see [Table 3-3](#) for maximum ESR recommendations on 9pF and 12.5pF crystals.

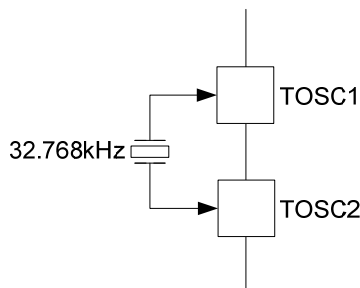
Table 3-3. Maximum ESR recommendation for 32.768kHz watch crystal.

Crystal CL [pF]	Maximum ESR [kΩ] <sup>(1)</sup>
9.0	65
12.5	30

- Note:
1. Maximum ESR is typical value based on characterization.

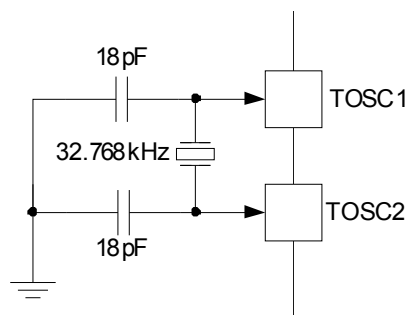
The low-frequency crystal oscillator provides an internal load capacitance of typical 3.0pF. Crystals with recommended 3.0pF load capacitance can be without external capacitors as shown in [Figure 3-3](#).

**Figure 3-3. Real-time oscillator without load capacitor.**



Crystals specifying load capacitance (CL) higher than 3.0pF, require external capacitors applied as described in [Figure 3-4](#).

**Figure 3-4. Real-time oscillator with load capacitor.**



To find suitable load capacitance for a 32.768kHz crystal, please consult the crystal datasheet.

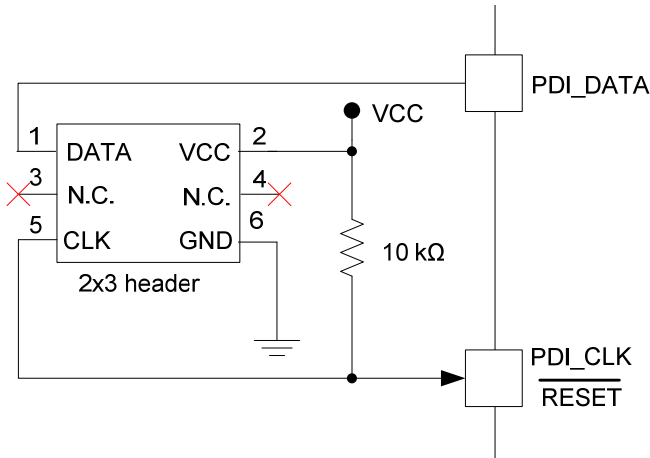
**Table 3-4. External real-time oscillator checklist.**

Signal name	Recommended pin connection	Description
TOSC1	Load capacitor 18pF <sup>(1)(2)</sup>	Timer oscillator pin 1
TOSC2	Load capacitor 18pF <sup>(1)(2)</sup>	Timer oscillator pin 2

- Notes:
1. These values are given only as a typical example. Please refer to the crystal datasheet to determine the capacitor value for the crystal used or refer to the application notes “[AVR1003: Using the XMEGA Clock System](#)” and “[AVR4100: Selecting and testing 32kHz crystal oscillators for Atmel AVR microcontrollers](#)”.
  2. Load capacitors should be placed close to the crystal, GND and device oscillator pins.

## 4. PDI Interface

Figure 4-1. PDI interface example schematic.



The connector pinout that is shown in [Figure 4-1](#) mates with Atmel tools like the Atmel AVR JTAGICE3 and Atmel AVR ONE!

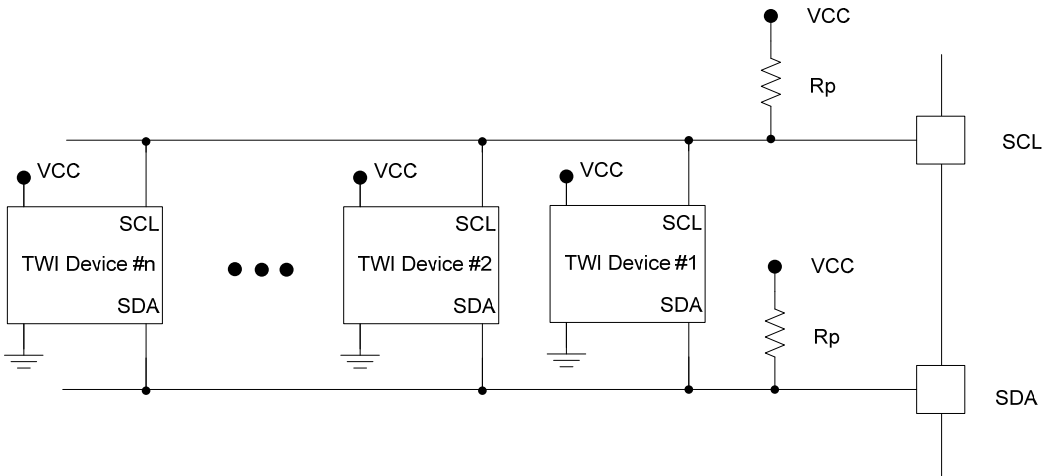
Table 4-1. PDI port interface checklist.

Signal name	Recommended pin connection	Description
PDI_CLK	This pull-up resistor makes sure that reset does not go low unintended. When the PDI programming and debugging is used, the reset line is used as clock. The reset pull-up should be 10kΩ or weaker, or be removed. Any reset capacitors should be removed if PDI programming and debugging is used. Other external reset sources should be disconnected.	PDI clock input / reset pin
PDI_DATA		PDI_DATA: PDI data input / output



## 5. TWI Interface

Figure 5-1. TWI interface example schematic.



The TWI module in XMEGA devices follows the electrical specifications and timing of I<sup>2</sup>C bus and SMBus.

The two lines are open-collector lines (wired-AND), and pull-up resistors (Rp) are the only external components needed to drive the bus.

Table 5-1. TWI interface checklist.

Signal name	Recommended pin connection	Description
SCL	This pull-up resistor is mandatory on the TWI bus topology since this line is open-collector line. The value of pull-up resistor Rp will depend on the SCL frequency: (fSCL ≤100kHz, fSCL ≤400kHz, fSCL ≤1MHz). Refer to chapter Two-wire interface characteristics in the datasheet for choosing the right value.	SCL serial clock line
SDA	This pull-up resistor is mandatory on the TWI bus topology since this line is open-collector line. The value of pull-up resistor Rp will depend on the SCL frequency: (fSCL ≤100kHz, fSCL ≤400kHz, fSCL ≤1MHz). Refer to chapter Two-wire interface characteristics in the datasheet for choosing the right value.	SDA serial data line

## 6. Suggested Reading

### 6.1 Datasheets and manual

The datasheet and the manual contain block diagrams of the peripherals and details about implementing firmware for the device. The datasheet and the manual are available on <http://www.atmel.com/AVR> in the Datasheets and Manuals section.

## 7. Revision History

Doc. Rev.	Date	Comments
42087A	04/2013	Initial document release



Enabling Unlimited Possibilities®

**Atmel Corporation**

1600 Technology Drive  
San Jose, CA 95110  
USA

**Tel:** (+1)(408) 441-0311

**Fax:** (+1)(408) 487-2600

[www.atmel.com](http://www.atmel.com)

**Atmel Asia Limited**

Unit 01-5 & 16, 19F  
BEA Tower, Millennium City 5  
418 Kwun Tong Road  
Kwun Tong, Kowloon  
HONG KONG

**Tel:** (+852) 2245-6100

**Fax:** (+852) 2722-1369

**Atmel Munich GmbH**

Business Campus  
Parkring 4  
D-85748 Garching b. Munich  
GERMANY

**Tel:** (+49) 89-31970-0

**Fax:** (+49) 89-3194621

**Atmel Japan G.K.**

16F Shin-Osaki Kangyo Bldg.  
1-6-4 Osaki, Shinagawa-ku  
Tokyo 141-0032  
JAPAN

**Tel:** (+81)(3) 6417-0300

**Fax:** (+81)(3) 6417-0370

© 2013 Atmel Corporation. All rights reserved. / Rev.: 42087A-AVR-04/2013

Atmel®, Atmel logo and combinations thereof, AVR®, Enabling Unlimited Possibilities®, XMEGA®, and others are registered trademarks or trademarks of Atmel Corporation or its subsidiaries. Other terms and product names may be trademarks of others.

Disclaimer: The information in this document is provided in connection with Atmel products. No license, express or implied, by estoppel or otherwise, to any intellectual property right is granted by this document or in connection with the sale of Atmel products. EXCEPT AS SET FORTH IN THE ATMEL TERMS AND CONDITIONS OF SALES LOCATED ON THE ATMEL WEBSITE, ATMEL ASSUMES NO LIABILITY WHATSOEVER AND DISCLAIMS ANY EXPRESS, IMPLIED OR STATUTORY WARRANTY RELATING TO ITS PRODUCTS INCLUDING, BUT NOT LIMITED TO, THE IMPLIED WARRANTY OF MERCHANTABILITY, FITNESS FOR A PARTICULAR PURPOSE, OR NON-INFRINGEMENT. IN NO EVENT SHALL ATMEL BE LIABLE FOR ANY DIRECT, INDIRECT, CONSEQUENTIAL, PUNITIVE, SPECIAL OR INCIDENTAL DAMAGES (INCLUDING, WITHOUT LIMITATION, DAMAGES FOR LOSS AND PROFITS, BUSINESS INTERRUPTION, OR LOSS OF INFORMATION) ARISING OUT OF THE USE OR INABILITY TO USE THIS DOCUMENT, EVEN IF ATMEL HAS BEEN ADVISED OF THE POSSIBILITY OF SUCH DAMAGES. Atmel makes no representations or warranties with respect to the accuracy or completeness of the contents of this document and reserves the right to make changes to specifications and products descriptions at any time without notice. Atmel does not make any commitment to update the information contained herein. Unless specifically provided otherwise, Atmel products are not suitable for, and shall not be used in, automotive applications. Atmel products are not intended, authorized, or warranted for use as components in applications intended to support or sustain life.