

4

3

2

1

THIS DRAWING IS UNPUBLISHED.

RELEASED FOR PUBLICATION

20

© COPYRIGHT 2020

TE Connectivity. All Rights Reserved.

ALL RIGHTS RESERVED.

REVISIONS

P	LTR	DESCRIPTION	DATE	DWN	APVD
	A	INITIAL RELEASE	17JUN2020	J.G	I.Y
	A1	ECR-20-010349	26JUL2020	J.G	I.Y
	A2	ECN-21-113425	17AUG2021	J.G	Z.Z

3CCT PLUG CONNECTOR WITHOUT HEATSHRINK HOUSING

DETAIL A
SCALE 2:1

4 DATE CODE: X XX XX
X- DAY: 1- 7

XX- WEEK: 01 - 52

XX- YEAR: 00 - 99

#- MACHINE NO. 1

EXAMPLE: 11315 = DAY 1, WEEK 13,
YEAR 15 i.e. 23rd OF MARCH 2015

3CCT PLUG CONNECTOR WITH HEATSHRINK HOUSING ULTRA SONICALLY WELDED IN PLACE

1. THIS PLUG MATES WITH RECEPTACLE ASSEMBLY PN X-2600026-X, WEDGE LOCK PN W3SX.

2. MATERIALS

PLUG HOUSING: NYLON GF30, SEE PN TABLE FOR COLOUR; PLUG SEAL: SILICONE RUBBER, RED

BACK SEAL: SILICONE RUBBER

BACK COVER: NYLON GF30, BLACK

HEATSHRINK HOUSING: NYLON GF30, BLACK

3 CIRCUIT IDENTIFICATION

4 DATE CODE DESCRIPTION

5. JACKET RANGE LARGE = \varnothing 2.23MM TO 3.68MM (SEAL COLOUR: LIGHT BLUE)
JACKET RANGE SMALL = \varnothing 1.20MM TO 3.05MM (SEAL COLOUR: BURNT ORANGE)

6. SEE SHEET 2 FOR FINAL PART NUMBER

THIS DRAWING IS A CONTROLLED DOCUMENT.

DWN J.GU 17JUN2020

CHK E. JIANG 17JUN2020

APVD I.YIN 17JUN2020

PRODUCT SPEC

108-160026

APPLICATION SPEC

114-160017

WEIGHT -

DIMENSIONS:

mm

TOLERANCES UNLESS OTHERWISE SPECIFIED:

0 PLC	±
1 PLC	±
2 PLC	±
3 PLC	±
4 PLC	±
ANGLES	±
FINISH	-

MATERIAL

-

FINISH

-

NAME

3CCT DT-XT CONNECTOR
PLUG ASSEMBLY

SIZE

A3

CAGE CODE

00779

DRAWING NO

C-2600027

RESTRICTED TO

-

CUSTOMER DRAWING; RESTRICTED CUSTOMER

SCALE 1:1

SHEET 1 OF 2

REV A2

1470-19 (3/13)

THIS DRAWING IS UNPUBLISHED.

RELEASED FOR PUBLICATION

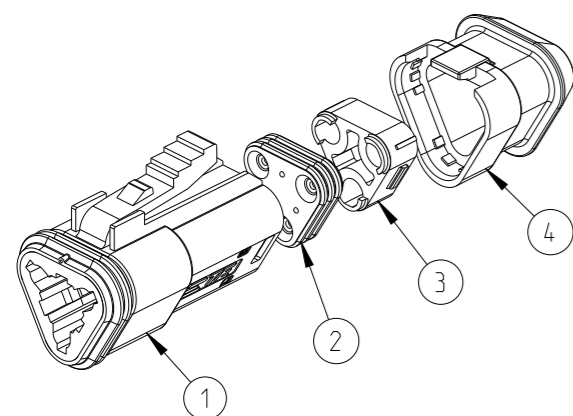
20

REVISIONS

© COPYRIGHT 2020 TE Connectivity. All Rights Reserved.

ALL RIGHTS RESERVED.

P	LTR	DESCRIPTION	DATE	DWN	APVD
		SEE SHEET 1			



REV	TE PN	ALIAS PN	REV OF EACH ASSY NO.	WEIGHT OF EACH ASSY(g)	QTY. REQUEST PER ASSY	1	2	3	4	5	6	7	8	9	10	11	12	13	14	15	16	17	18	19	20
3--6	934452609	-	-	8.26	-	-	-	-	-	-	-	-	-	-	-	1	-	1	1	1					
3--5	934452608	-	-	8.26	-	-	-	-	-	-	-	-	-	-	1	-	-	1	1	1					
3--4	934452607	-	-	8.26	-	-	-	-	-	-	-	1	-	-	-	-	-	1	1	1					
3--3	934452606	-	-	8.26	-	-	-	-	-	-	-	1	-	-	-	-	-	1	1	1					
3--2	934452605	-	-	8.26	-	-	-	-	-	-	-	1	-	-	-	-	-	1	1	1					
3--1	934452604	-	-	8.26	-	-	-	-	1	-	-	-	-	-	-	-	-	1	1	1					
3--0	934452603	-	-	8.26	-	-	-	-	1	-	-	-	-	-	-	-	-	1	1	1					
2--9	934452602	-	-	8.26	-	-	-	-	-	1	-	-	-	-	-	-	-	1	1	1					
2--8	934452601	-	-	8.26	-	-	-	-	-	-	-	-	-	-	-	-	-	1	1	1					
2--7	934452509	-	-	8.26	-	-	-	-	-	-	-	-	-	-	1	-	-	1	1	1					
2--6	934452508	-	-	8.26	-	-	-	-	-	-	-	-	-	-	1	-	-	1	1	1					
2--5	934452507	-	-	8.26	-	-	-	-	-	-	-	1	-	-	-	-	-	1	1	1					
2--4	934452506	-	-	8.26	-	-	-	-	-	-	-	1	-	-	-	-	-	1	1	1					
2--3	934452505	-	-	8.26	-	-	-	-	-	1	-	-	-	-	-	-	-	1	1	1					
2--2	934452504	-	-	8.26	-	-	-	-	1	-	-	-	-	-	-	-	-	1	1	1					
2--1	934452503	-	-	8.26	-	-	-	-	1	-	-	-	-	-	-	-	-	1	1	1					
2--0	934452502	-	-	8.26	-	-	-	-	-	1	-	-	-	-	-	-	-	1	1	1					
1--9	934452501	-	-	8.26	-	-	-	-	-	-	-	-	-	-	-	-	-	1	1	1					
1--8	934452209	-	-	6.22	-	-	-	-	-	-	-	-	-	-	1	-	-	1	1	1					
1--7	934452208	-	-	6.22	-	-	-	-	-	-	-	-	-	-	1	-	-	1	1	1					
1--6	934452207	-	-	6.22	-	-	-	-	-	-	-	-	-	-	1	-	-	1	1	1					
1--5	934452206	-	-	6.22	-	-	-	-	-	-	-	-	-	-	1	-	-	1	1	1					
1--4	934452205	-	-	6.22	-	-	-	-	-	1	-	-	-	-	-	-	-	1	1	1					
1--3	934452204	-	-	6.22	-	-	-	-	1	-	-	-	-	-	-	-	-	1	1	1					
1--2	934452203	-	-	6.22	-	-	-	-	1	-	-	-	-	-	-	-	-	1	1	1					
1--1	934452202	-	-	6.22	-	-	-	-	1	-	-	-	-	-	-	-	-	1	1	1					
1--0	934452201	-	-	6.22	-	-	-	-	-	-	-	-	-	-	-	-	-	1	1	1					
-9	934452109	-	-	6.22	-	-	-	-	-	-	-	-	-	-	1	-	1	-	1	1					
-8	934452108	-	-	6.22	-	-	-	-	-	-	-	-	-	-	1	-	1	-	1	1					
-7	934452107	-	-	6.22	-	-	-	-	-	-	-	-	-	-	1	-	1	-	1	1					
-6	934452106	-	-	6.22	-	-	-	-	-	-	-	-	-	-	1	-	1	-	1	1					
-5	934452105	-	-	6.22	-	-	-	-	-	-	-	-	-	-	1	-	1	-	1	1					
-4	934452104	-	-	6.22	-	-	-	-	-	-	-	-	-	-	1	-	1	-	1	1					
-3	934452103	-	-	6.22	-	-	-	-	-	-	-	-	-	-	1	-	1	-	1	1					
-2	934452102	-	-	6.22	-	-	-	-	-	-	-	-	-	-	1	-	1	-	1	1					
-1	934452101	-	-	6.22	-	-	-	-	-	-	-	-	-	-	1	-	1	-	1	1					
TE PN	ALIAS PN	REVISION OF EACH ASSY NO.	WEIGHT OF EACH ASSY(g)	COLOR	BLACK	GERY	GREEN	BLUE	YELLO W	WHIT E	BROW N	ORANG E	RED	BURNT ORANGE	LIGHT BLUE	BLACK	BLACK								
MATERIAL	NYLON GF30	NYLON GF30	NYLON GF30	NYLON GF30	NYLON GF30	NYLON GF30	NYLON GF30	NYLON GF30	NYLON GF30	NYLON GF30	NYLON GF30	NYLON GF30	NYLON GF30	SILICONE RUBBER	SILICONE RUBBER	NYLON GF30	NYLON GF30								
DESCRIPTION	PLUG HOUSING													BACK SEAL SMALL	BACK SEAL LARGE	BACK COVER	HEATSHRINK HOUSING								
ITEM NO	1													2		3	4								

THIS DRAWING IS A CONTROLLED DOCUMENT.

DIMENSIONS:	TOLERANCES UNLESS OTHERWISE SPECIFIED:
mm	
	0 PLC ±
	1 PLC ±
	2 PLC ±
	3 PLC ±
	4 PLC ±
	ANGLES ±
MATERIAL	FINISH
-	-

DWN	J.GU	17 JUN 2020
CHK	E. JIANG	17 JUN 2020
APVD	L. YIN	17 JUN 2020
PRODUCT SPEC	108-160026	
APPLICATION SPEC	114-160017	
WEIGHT	-	

STE TE Connectivity

NAME: 3CCT DT-XT CONNECTOR PLUG ASSEMBLY

SIZE	CAGE CODE	DRAWING NO	RESTRICTED TO
A3	00779	C=2600027	-

CUSTOMER DRAWING; RESTRICTED CUSTOMER SCALE 1:1 SHEET 2 OF 2 REV A2