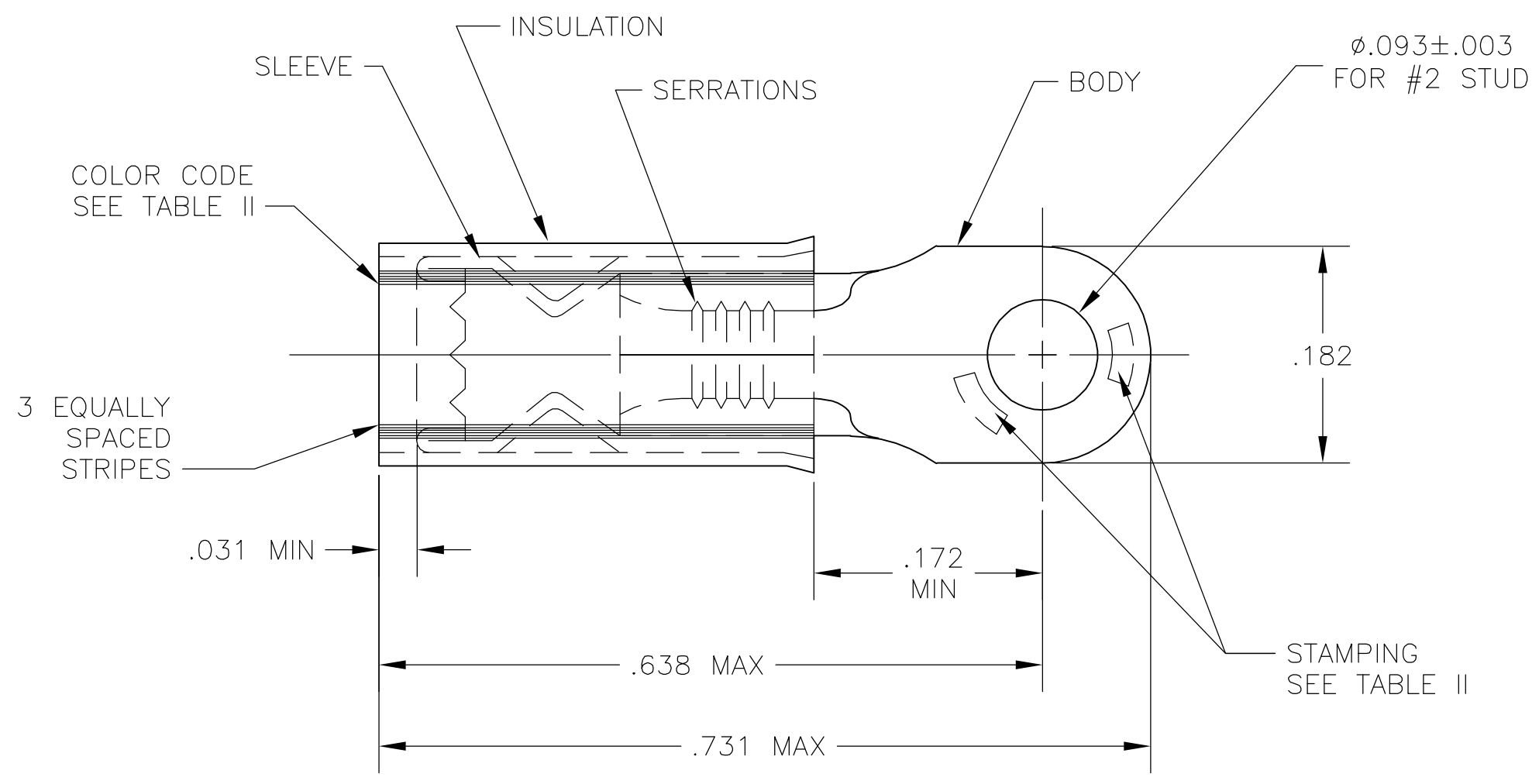


THIS DRAWING IS UNPUBLISHED. RELEASED FOR PUBLICATION  
 © COPYRIGHT BY TYCO ELECTRONICS CORPORATION. ALL RIGHTS RESERVED.

LOC	DIST	REVISIONS					
G	14	P	LTR	DESCRIPTION	DATE	DWN	APVD
			C1	REV PER ECR 07-003994	21FEB07	JR	TM



- 1 TONGUE MATERIAL THK IS .031±.002
- 2 FOR WIRE INS. DIA ( SEE TABLE II )

TABLE I

1	WIRE TERMINAL INSULATION RESTRICTING	SEE TABLE II	BODY & SLEEVE: COPPER PER ASTM PER B152 TIN PLATE PER ASTM B545  INSULATION: NYLON ( MIL-M-20693 ) TYPE I, COLOR - RED
QTY	DESCRIPTION	PART NO	MATERIAL & FINISH

TABLE II

52307-1	20	20	1	.046-.110	RED
52307	22	22	1/2	.038-.110	GREEN
PART NO	WIRE SIZE	WIRE STAMPING	SHIP	INS. DIA.	COLOR CODE

THIS DRAWING IS A CONTROLLED DOCUMENT.

DIMENSIONS: INCHES	TOLERANCES UNLESS OTHERWISE SPECIFIED:
	0 PLC ± -
	1 PLC ± -
	2 PLC ± -
	3 PLC ± .008
	4 PLC ± -
	ANGLES ± 5'
MATERIAL	FINISH
-	-

DWN	jr_ruth	21FEB07	<b>tyco</b> <b>Electronics</b>	Tyco Electronics Corporation	
CHK	T MICHELUTTI	21FEB07		Harrisburg, PA 17105-3608	
APVD	T MICHELUTTI	21FEB07	NAME	WIRE TERMINAL, P.I.D.G.,	
PRODUCT SPEC	-	-	RING TONGUE & INSULATION RESTRICTION		
APPLICATION SPEC	-	-	WIRE SIZE 22-20		
WEIGHT	-	-	SIZE	CAGE CODE	DRAWING NO
CUSTOMER DRAWING	-	-	A3	00779	C-52307
SCALE			5:1	SHEET	1 OF 1
REV			C1		