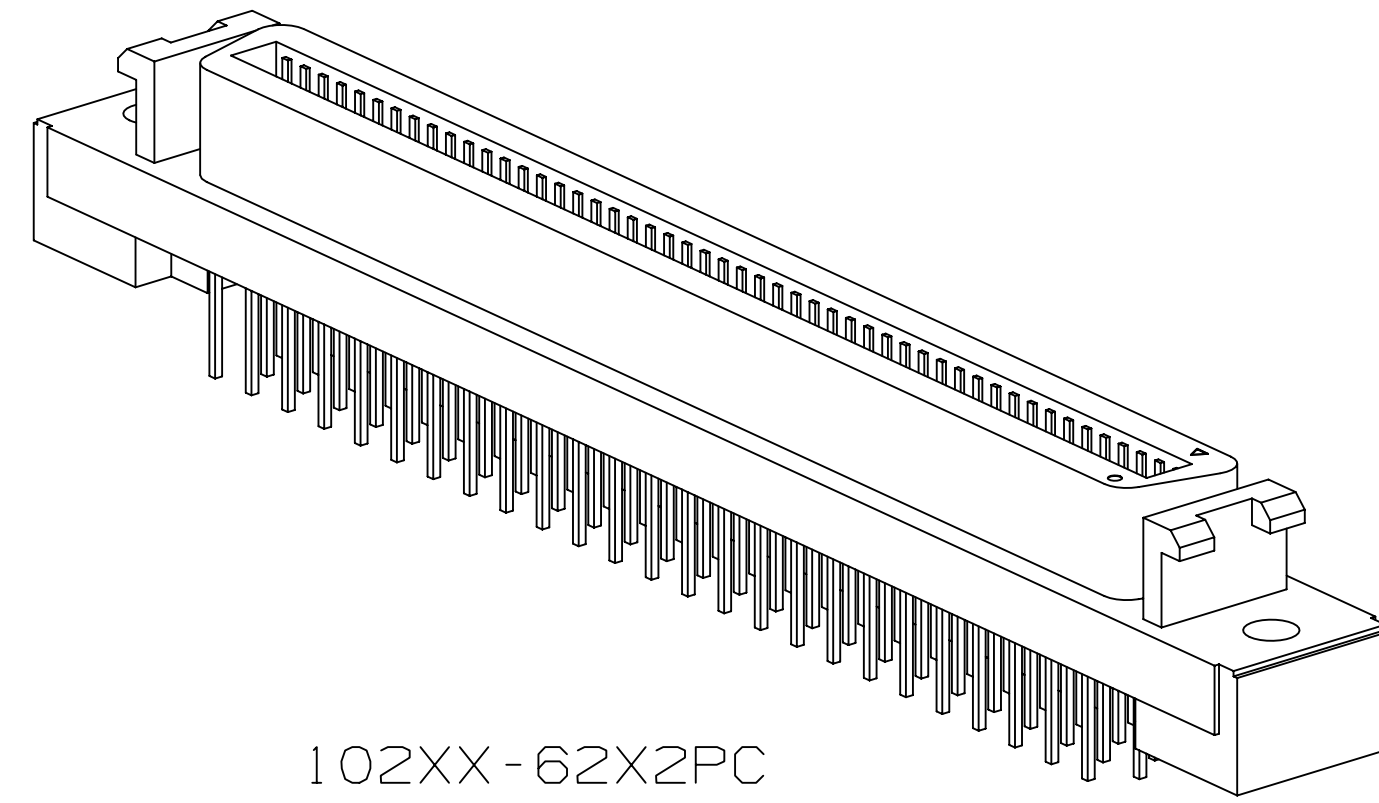


3M™ MINI D RIBBON (MDR) CONNECTORS, 102 SERIES
 .050" BOARDMOUNT THROUGH-HOLE VERTICAL RECEPTACLE - SHIELDED

NOTES
 1. REGULATORY INFORMATION:
 VISIT 3M.com/regs
 2. IN THE EVENT OF CONFLICT BETWEEN THIS DATA AND THAT CONTAINED IN THE PRODUCT SPECIFICATION, THE PRODUCT SPECIFICATION TAKES PRECEDENT.

- * WIPER-ON-WIPER CONTACT FOR RELIABLE REPETITIVE PLUGGING.
- * RUGGED DIE CAST METAL CASE CONSTRUCTION.
- * SCREW LOCKDOWN FOR RELIABLE PCB RETENTION.
- * INTERFACE LATCH DESIGN FOR CONNECTION STABILITY.
- * IEEE 1284C INTERFACE AS A 36 CONTACT CONNECTOR.



2 PHYSICAL :

INSULATOR:
 MATERIAL: GLASS FILLED POLYESTER (PBT) OR GLASS FILLED POLYESTER (PCT) - HIGH TEMP OPTION - SEE ORDERING INFORMATION
 FLAMMABILITY: UL94V-0
 COLOR: BLACK (PBT) OR BEIGE (PCT) - HIGH TMP - SEE ORDERING INFO.
 CONTACT:
 MATERIAL: COPPER ALLOY
 PLATING:
 UNDER PLATING: 100μ" (2.54μm) AVG. NICKEL-OVERALL
 WIPING AREA: 30μ" (0.76μm) MIN. GOLD
 SOLDER TAILS: GOLD FLASH OVER NICKEL
 BODY:
 MATERIAL: ZINC ALLOY
 PLATING: NICKEL
 SHROUD & LATCH HOOK:
 MATERIAL: STEEL
 PLATING: NICKEL
 MARKINGS: 3M LOGO AND PART NUMBER

2 ELECTRICAL :

CURRENT RATING: 1A
 INSULATION RESISTANCE: >5 X 10⁹Ω AT 500 V_{DC}
 WITHSTANDING VOLTAGE: 500V_{RMS} FOR 1 MINUTE

2 ENVIRONMENTAL :

TEMPERATURE RATING: -55°C TO +85°C
 PBT INSULATOR PROCESS RATING: SOLDER DIP TEST -260°C FOR 10 SEC., 2 TIMES AFTER 100°C MAX. PREHEAT, 60 SEC. MAX. DURATION.
 PCT INSULATOR PROCESS RATING: HIGH TEMP. OPTION: 260°C (PROFILE PER J-STD-020C)

ORDERING INFORMATION

X 102XX-62X2PC

BLANK = STAND, PBT INSULATOR
 N = HIGH TEMP. OPTION, PCT INSULATOR

LOCKSTAND THREAD
 0 = M2.6 (SPECIAL)
 1 = M2.5 (STANDARD)

CONTACT QTY.
 A0 = 100 POS.
 (SEE TABLE)

DIMENSIONS: INCHES [MM]
 [MM] IS FOR REF. ONLY

3M ELECTRONICS MATERIALS SOLUTIONS DIVISION
 INTERCONNECT SOLUTIONS
<http://www.3M.com/interconnect>

3M IS A TRADEMARK OF 3M COMPANY.
 FOR TECHNICAL, SALES OR ORDERING
 INFORMATION CALL 800-225-5373

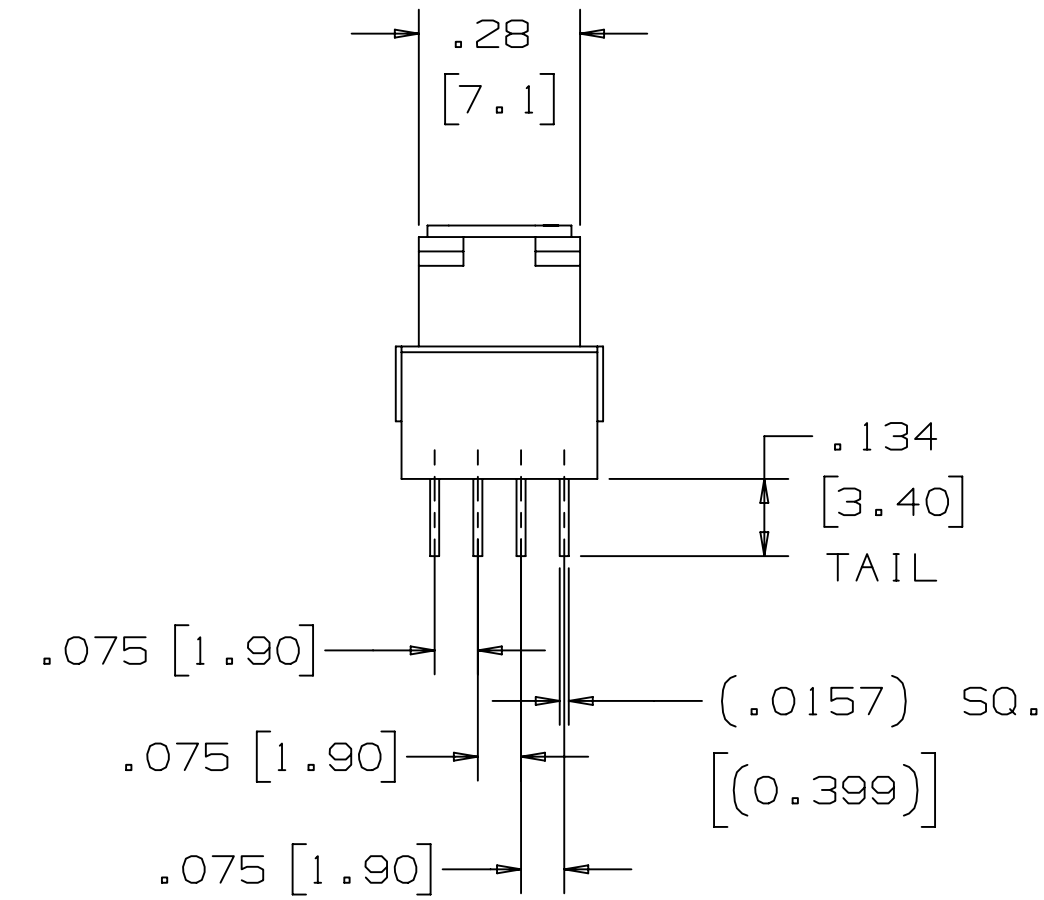
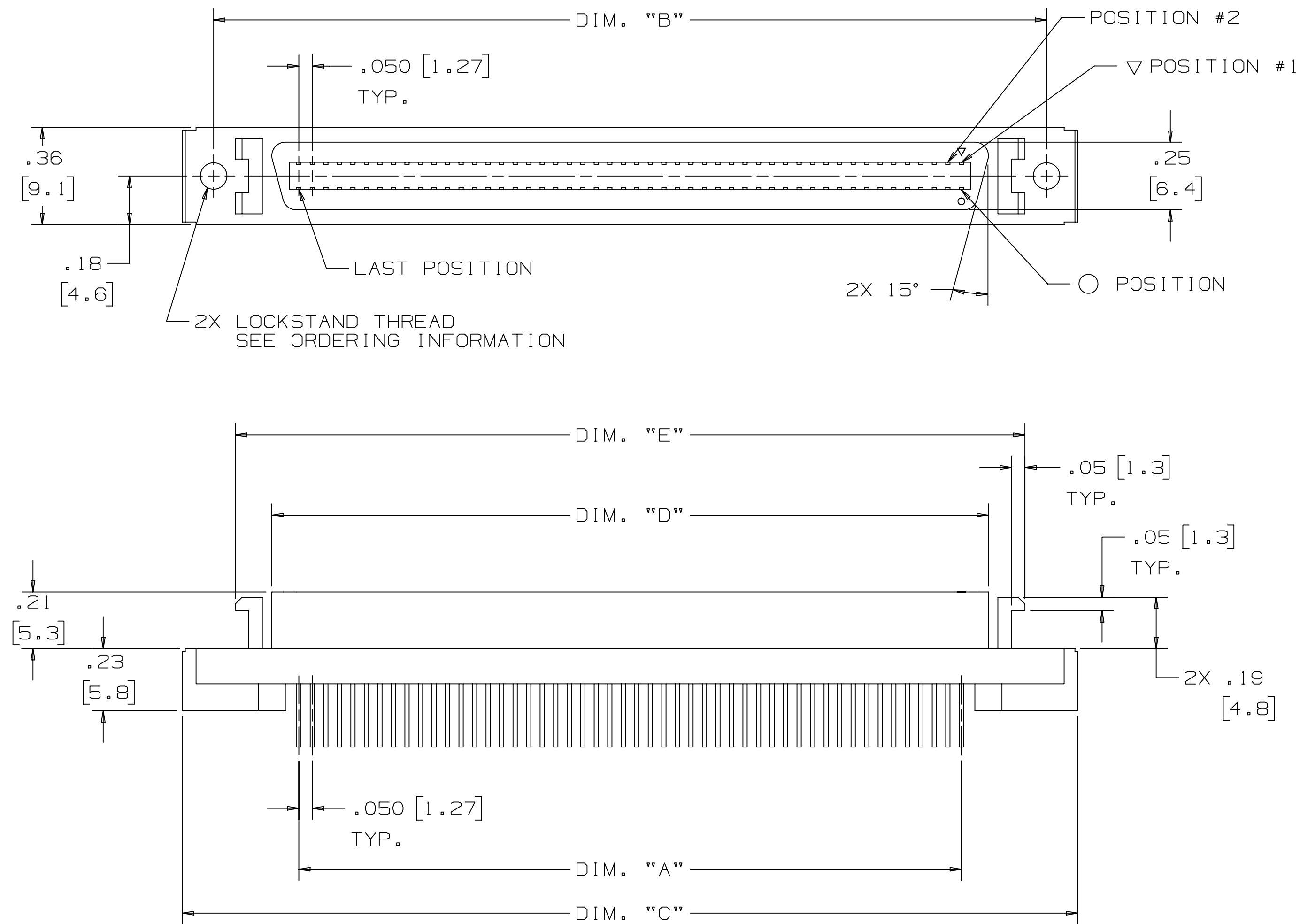
us
 UL FILE NO: E68080

DESIGN REFERENCE	NEXT ASSEMBLY	REV	ECO	ISSUE DATE AND DESCRIPTION	DRFT	CHKD
		DRFT	CASTIGLIONE	DATE	JUL 13, 2022	MFG
		CHKD		DATE	JUL 13, 2022	APPV
						F. RODRIGUEZ
DIVISION	DIVISION CODE	© 3M COPYRIGHT 2022 This document and the information it contains are 3M property and may not be reproduced or further distributed without 3M permission, or used or disclosed other than for 3M authorized purposes. All rights reserved.				
DO NOT SCALE DRAWING	SCALE 3/1	TOLERANCES EXCEPT AS NOTED		3M 3M Center St. Paul, MN 55144		
		INCHES		TITLE MDR CONN, SHIELDED, .050" BMT THRU-HOLE VERT RECEPTACLE		
		THIRD ANGLE PROJECTION		CAGE NUMBER D 78-5100-0427-4		
		INTERPRET PER ASME Y14.5 - 2018		DRAWING NO. 78-5100-0427-4		
		MAX SURFACE ROUGHNESS		MODEL 102		
		MARKED ONLY		DET [] YES [X] NO [] SHT 1 OF 4		

78-5100-0427-4
DRAWING NUMBER
C REVISION

3M™ MINI D RIBBON (MDR) CONNECTORS, 102 SERIES
 .050" BOARDMOUNT THROUGH-HOLE VERTICAL RECEPTACLE - SHIELDED

CONTACT QTY.	DIM. "A"	DIM. "B"	DIM. "C"	DIM. "D"	DIM. "E"
14	.300 [7.62]	.93 [23.6]	1.16 [29.5]	.50 [12.6]	.77 [19.5]
20	.450 [11.43]	1.08 [27.5]	1.31 [33.4]	.65 [16.4]	.92 [23.4]
26	.600 [15.24]	1.23 [31.3]	1.46 [37.2]	.80 [20.2]	1.07 [27.2]
36	.850 [21.59]	1.48 [37.6]	1.71 [43.5]	1.05 [26.6]	1.32 [33.5]
40	.950 [24.13]	1.58 [40.2]	1.81 [46.1]	1.15 [29.1]	1.42 [36.1]
50	1.200 [30.48]	1.83 [46.5]	2.06 [52.4]	1.40 [35.5]	1.67 [42.4]
68	1.650 [41.91]	2.28 [57.9]	2.51 [63.8]	1.85 [46.9]	2.12 [53.8]
80	1.950 [49.53]	2.58 [65.6]	2.81 [71.5]	2.15 [54.5]	2.42 [61.5]
100	2.540 [62.23]	3.08 [78.3]	3.31 [84.2]	2.65 [67.2]	2.92 [74.2]



3M ELECTRONICS MATERIALS SOLUTIONS DIVISION
 INTERCONNECT SOLUTIONS
<http://www.3M.com/interconnect>

3M IS A TRADEMARK OF 3M COMPANY.
 FOR TECHNICAL, SALES OR ORDERING
 INFORMATION CALL 800-225-5373

DESIGN REFERENCE	NEXT ASSEMBLY	REV	ECO	ISSUE DATE AND DESCRIPTION	DRFT	CHKD
		ECO		JUL 13, 2022	JNC	FJR
		B	16859	NOV 26, 2022 REMOVE NON-ROHS	BAC	ARM
		A	16859	MAR 05, 2007 PRODUCTION RELEASE	BAC	DFC
		ECO		JUL 13, 2022		
		CHKD		JUL 13, 2022		

DO NOT SCALE DRAWING	SCALE	TOLERANCES EXCEPT AS NOTED
	3/1	

THIRD ANGLE PROJECTION	INTERPRET PER ASME Y14.5 - 2018	INCHES	MILLIMETERS
		0 ± .1 .00 ± .01 .0000 ± .0005 .0000 ± .0002	0 ± .00 ± .000 ±

TITLE	CAGE NUMBER	SIZE	DRAWING NO.	REV.
MDR CONN, SHIELDED, 050" BMT THRU-HOLE VERT RECEPTACLE	D		78-5100-0427-4	C

MAX SURFACE ROUGHNESS	MARKED ONLY	ANGLES

MODEL	102	DET	IS1s	YES	NO	SHT 2 OF 4

78-5100-0427-4
DRAWING NUMBER

A

8 7 6 5 4 3 2 1

3M™ MINI D RIBBON (MDR) CONNECTORS, 102 SERIES
 .050" BOARDMOUNT THROUGH-HOLE VERTICAL RECEPTACLE - SHIELDED

Regulatory: For regulatory information about this product, visit 3M.com/regs or contact your 3M representative.

Technical Information: The technical information, recommendations and other statements contained in this document are based upon tests or experience that 3M believes are reliable, but the accuracy or completeness of such information is not guaranteed.

Product Use: Many factors beyond 3M's control and uniquely within user's control can affect the use and performance of a 3M product in a particular application. Given the variety of factors that can affect the use and performance of a 3M product, user is solely responsible for evaluating the 3M product and determining whether it is fit for a particular purpose and suitable for user's method of application.

Warranty, Limited Remedy, and Disclaimer: Unless an additional warranty is specifically stated on the applicable 3M product packaging or product literature, 3M warrants that each 3M product meets the applicable 3M product specification at the time 3M ships the product. 3M MAKES NO OTHER WARRANTIES OR CONDITIONS, EXPRESS OR IMPLIED, INCLUDING, BUT NOT LIMITED TO, ANY IMPLIED WARRANTY OR CONDITION OF MERCHANTABILITY OR FITNESS FOR A PARTICULAR PURPOSE OR ANY IMPLIED WARRANTY OR CONDITION ARISING OUT OF A COURSE OF DEALING, CUSTOM OR USAGE OR TRADE. If the 3M product does not conform to this warranty, then the sole and exclusive remedy is, at 3M's option, replacement of the 3M product or refund of the purchase price.

Limitation of Liability: Except where prohibited by law, 3M will not be liable for any loss or damage arising from the 3M product, whether direct, indirect, special, incidental or consequential, regardless of the legal theory asserted, including warranty, contract, negligence or strict liability.

3M Company
 Electronics Materials Solutions Division
 13011 McCallen Pass, Bldg. C
 Austin, TX 78753-5380
 1-800-225-5373
 www.3M.com/interconnect

3M ELECTRONICS MATERIALS SOLUTIONS DIVISION
 INTERCONNECT SOLUTIONS
<http://www.3M.com/interconnect>

3M IS A TRADEMARK OF 3M COMPANY.
 FOR TECHNICAL, SALES OR ORDERING
 INFORMATION CALL 800-225-5373

DESIGN REFERENCE	NEXT ASSEMBLY	REV	ECO	ISSUE DATE AND DESCRIPTION	DRFT	CHKD
		DRFT	CASTIGLIONE	DATE JUL 13, 2022	MFG	DATE
		CHKD		DATE	APPRV F. RODRIGUEZ	DATE JUL 13, 2022
DIVISION		DIVISION CODE emsd				
DO NOT SCALE DRAWING	SCALE 4 1	TOLERANCES EXCEPT AS NOTED				
THIRD ANGLE PROJECTION		INCHES -0 ±.1 .00 ±.01 .000 ±.005 .0000 ±.0002				
INTERPRET PER ASME Y14.5 - 2018		MILLIMETERS 0 ± .0 ± .00 ± .000 ±				
MAX SURFACE ROUGHNESS ALL SURFACES		ANGLES ±				
<input checked="" type="checkbox"/> MARKED ONLY						
3M Center St. Paul, MN 55144		© 3M COPYRIGHT 2022 This document and the information it contains are 3M property and may not be reproduced or further distributed without 3M permission, or used or disclosed other than for 3M authorized purposes. All rights reserved.				
TITLE MDR CONN, SHIELDED, 050" BMT THRU-HOLE VERT RECEPTACLE		CAGE NUMBER D78-5100-0427-4				
MODEL 102		REV. C				
		DET LISTS <input type="checkbox"/> YES <input checked="" type="checkbox"/> NO SHT 4 OF 4				

78-5100-0427-4
DRAWING NUMBER
REVISION