



RADIALL®
COAXIAL CONNECTORS

TECHNICAL DATA

R141.154.000

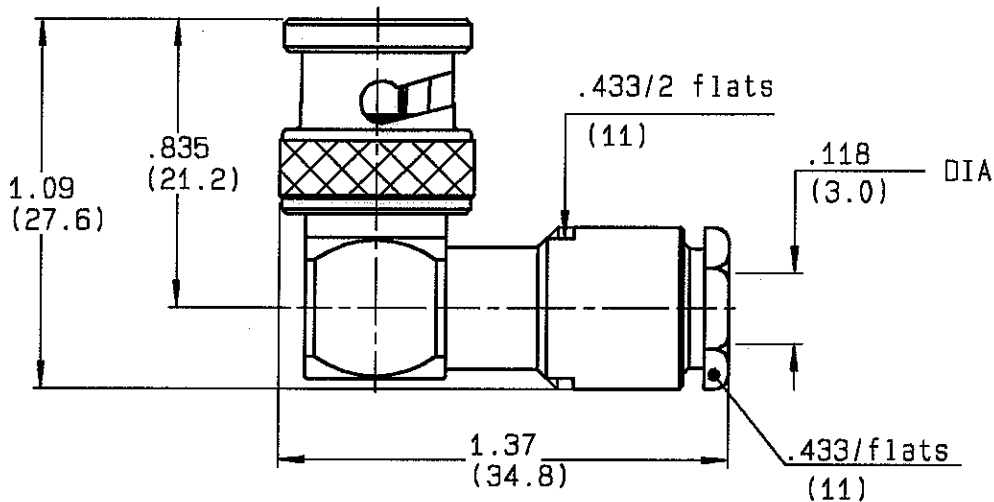
Issue : 9547

Page

RIGHT ANGLE PLUG-CLAMP TYPE
CAB 2.6/50+75

Series : BNC

1 / 2



CABLES : -

CHARACTERISTICS

NOMINAL IMPEDANCE	50 Ω
FREQUENCY RANGE	0-4 GHz
TEMPERATURE RATING	-65/+165 °C
VSWR	TBD + - x F(GHz)Max1
RF INSERTION LOSS	.175 √F(GHz) dB Max1
VOLTAGE RATING	500 Vrms Max
DIELECTRIC WITHSTANDING VOLTAGE	1500 Vrms min
INSULATION RESISTANCE	5000 M Ωmin
HERMETIC SEAL	NA Atm.cm3/s
LEAKAGE (pressurized only)	NA Mpa
WEIGHT	- gr

STANDARDISATION

CABLE RETENTION	110	N min
CENTER CONTACT RETENTION		
Axial force - mating end	27	N min
Axial force - opposite end	NA	N min
Torque (Min)	NA	cm.N min
RECOMMENDED TORQUES		
Mating	NA	cm.N
Panel nut	NA	cm.N
Clamp nut	450	cm.N

CONSTRUCTION

CONNECTOR PARTS	MATERIALS	FINISH
BODY	BRASS	NICKEL
OUTER CONTACT	BRASS	NICKEL
CENTER CONTACT	BRASS	GOLD
INSULATOR	PTFE	-
CENTRE CONTACT	BERYLLIUM COPPER	GOLD
-	-	-
-	-	-
-	-	-
-	-	-

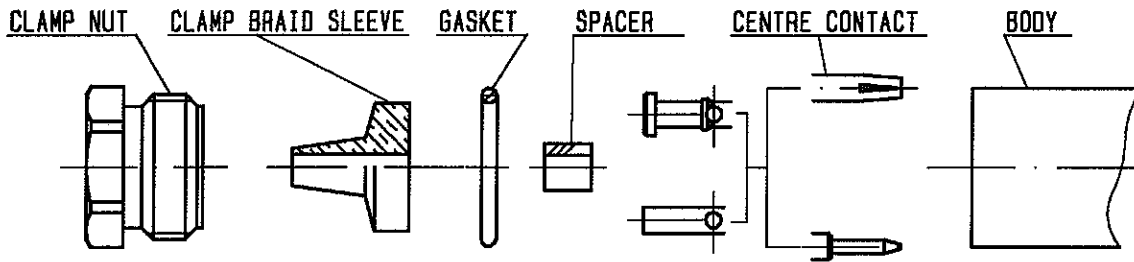
ISSUE	REVISION No	DESCRIPTION	BY	DATE
-	-	-	-	-
-	-	-	-	-
-	-	-	-	-
-	-	-	-	-

Initiated on 01/01/86

The information given here is subject to change without notice. Design changes may be in order to improve the product

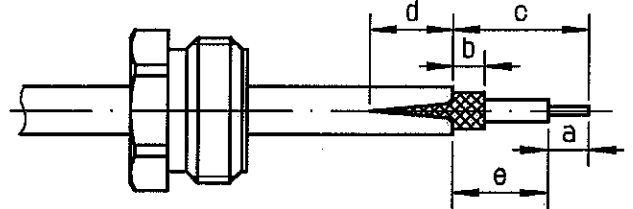


Approval by MARTIN.G



①

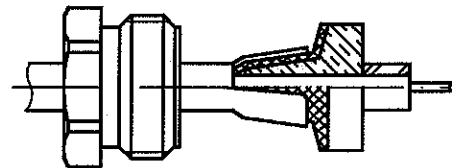
Slide clamp nut onto cable .
Strip the cable .
Cut the jacket (2 slots)
apart if necessary .



Stripping	a	b	c	d	e
inch	0.157	0.079	0.354	0	0.197
mm	4	2	9	-	5

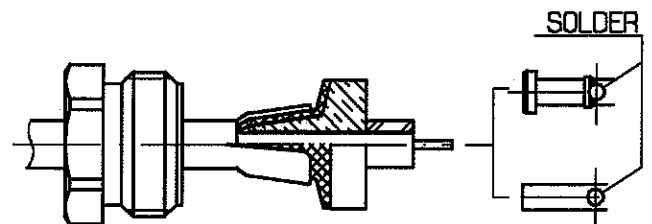
②

Slide the clamp braid sleeve between
cable dielectric and braid .
Cut the braid flush with the clamp
braid sleeve .
Slide the spacer .



③

Solder the cable inner conductor into
centre contact .
Slide the back nut over the clamp
assembly .



④

Mount the gasket into the connector .
Screw sub-assembly into the connector
body .
(recommended coupling torque 450 cm.N
-
39.82 inch.lb

