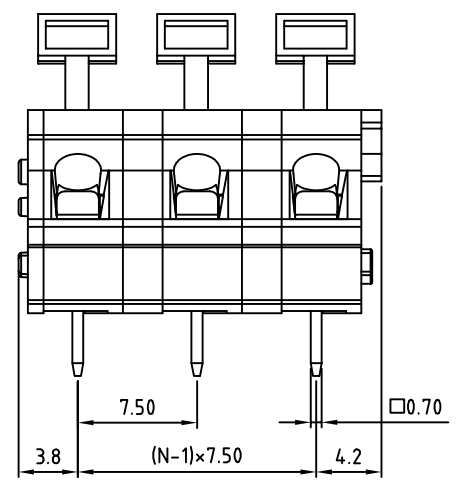
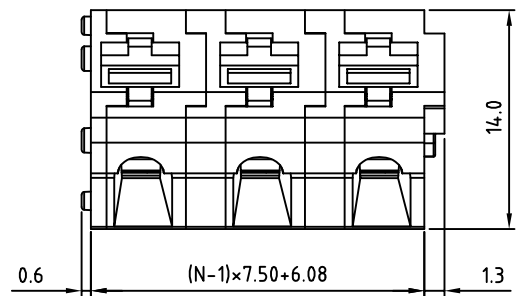
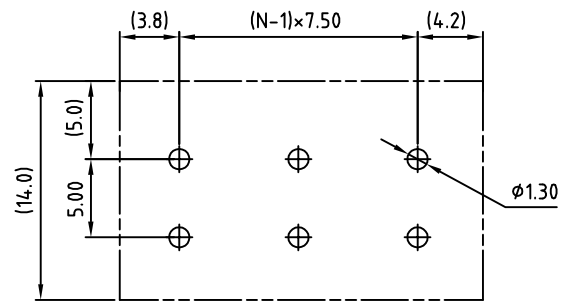
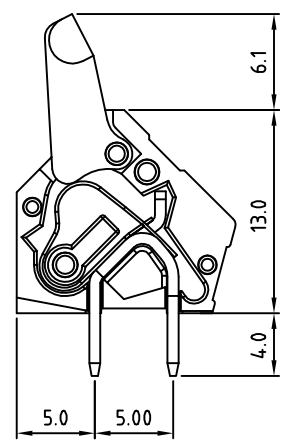


|      |      |   |          |
|------|------|---|----------|
| SIGN | DATE | DESCRIPTION   | APPROVER |
|      |      | <i>THIS IS CAD DRAWING, DO NOT REVISE MANUALLY!!!</i> |          |



N=Number of poles



RECOMMENDED PCB. LAYOUT

THESE DRAWINGS AND SPECIFICATIONS ARE THE PROPERTY OF ON-SHORE TECHNOLOGY, INC. AND SHALL NOT BE REPRODUCED, COPIED OR USED IN ANY MANNER WITHOUT THE PRIOR WRITTEN CONSENT OF ON-SHORE TECHNOLOGY, INC.

**Material**

- Terminal body(Contact pin) : Brass
- Surface of solder tail : Tin plated
- Wire guard : Stainless steel
- Insulator (housing): Thermoplastic (UL94V-0)

**Electrical**

cULus

- Voltage rating: 300V
- Current rating: 15A
- Wire range:
  - Solid wire(AWG): 12-28
  - Stranded wire(AWG): 12-28
- Wire strip length: 6-7mm
- Withstanding Voltage: 1.6KV
- Operating temperature: -30°C to +105°C
- Soldering temperature: 250°C±10°C/5 Sec

RoHS Compliant

PART NUMBER:

**OSTHTXX2080**

No. of Poles:

- 01 1 Pole (basic block)
- 02 2 Poles
- etc. available in 1-12 Poles

COLOR

- 0: Black
- 5: Green
- 6: Blue
- 8: Grey (Standard)



|          |  |                      |                      |  |          |
|----------|--|----------------------|----------------------|--|----------|
| TITLE    |  | OSTHT-7.50 Series    |                      |  |          |
| PART NO. |  | OSTHTXX2080          |                      | DWG NO. OSTHTXX2080.DWG                                    |          |
| APPROVED |  | CHECKED              | DESIGNED             | DRAWN  | CUST NO. |
|          |  | Marvin<br>2006.10.10 | Marvin<br>2006.10.10 | Marvin<br>2006.10.10                                       |          |
|          |  |                      |                      | Tolerance<br>X. ±0.50<br>X.X ±0.30<br>X.XX ±0.10<br>X° ±1° |          |
|          |  | SHEET: 01/01         |                      | UNIT: mm<br>SCALE: NONE<br>REV.: B                         |          |