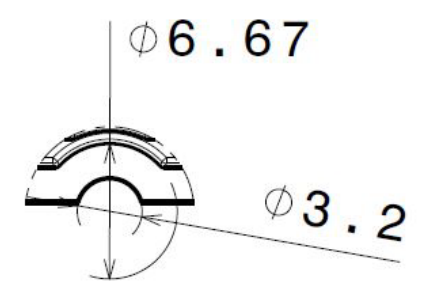
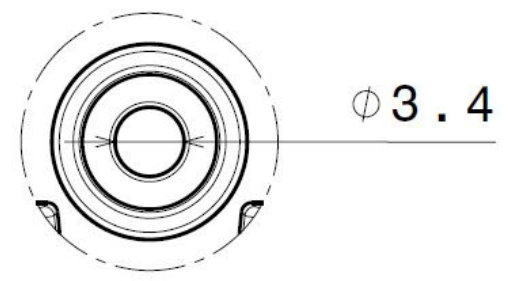


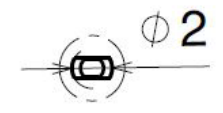
Front view



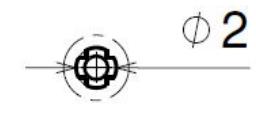
Detail A



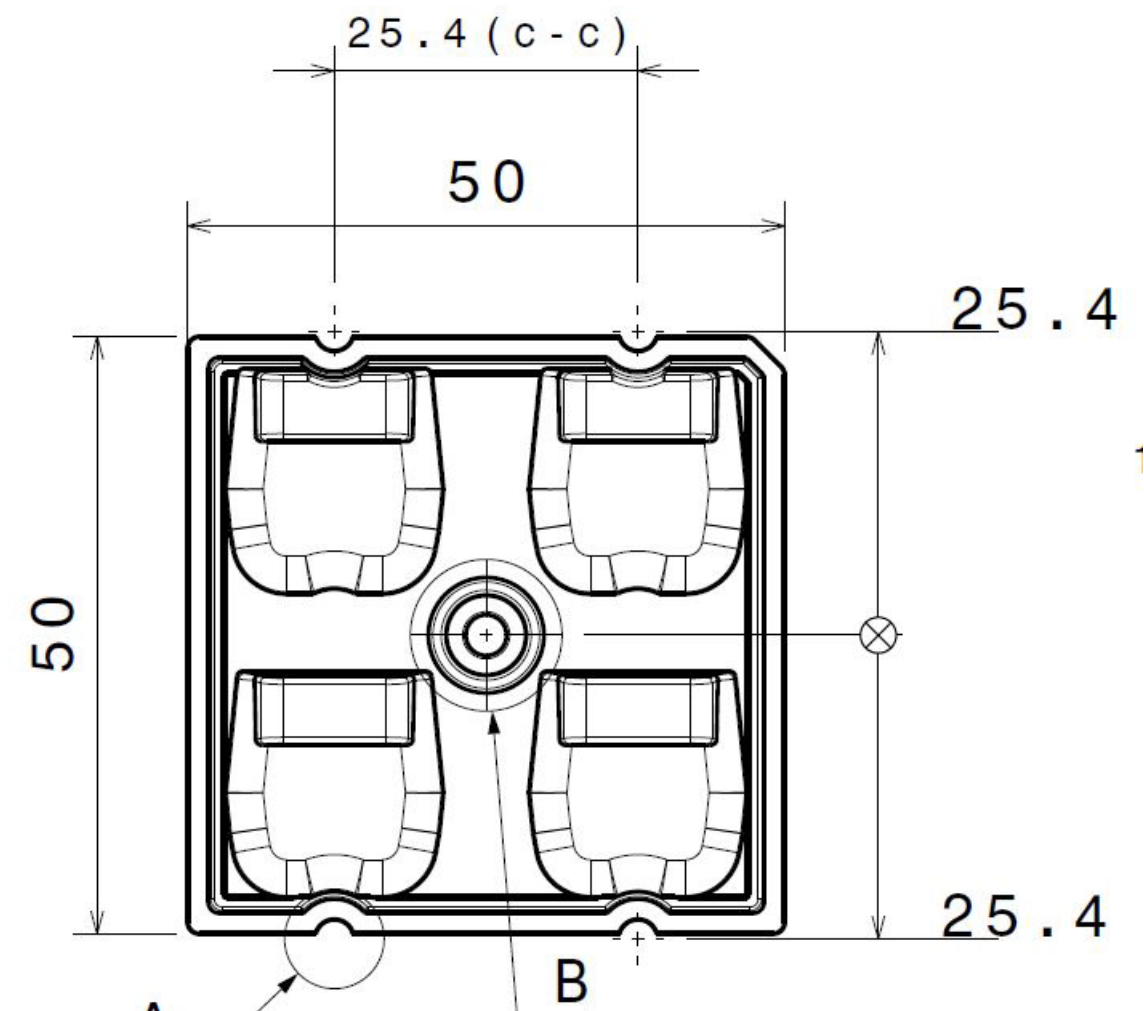
Detail B



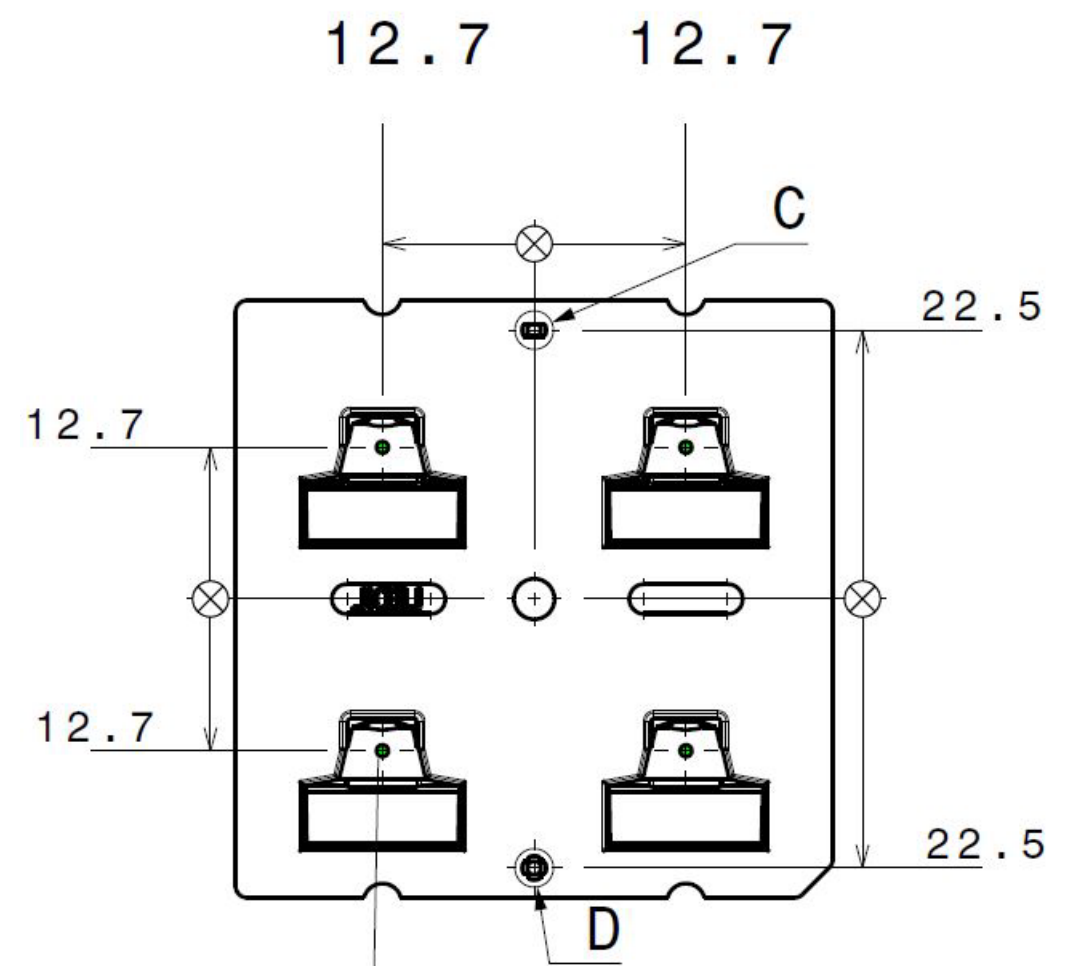
Detail C



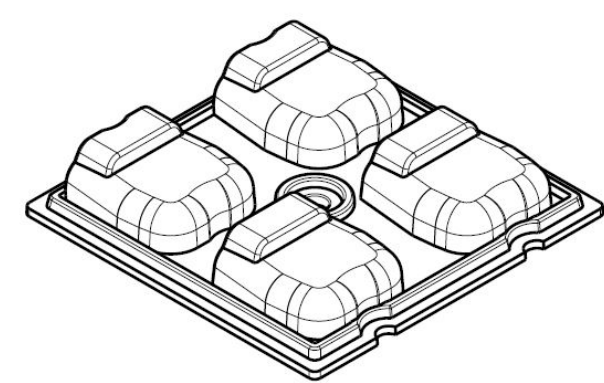
Detail D



Top view



Bottom view



Isometric view

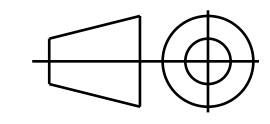
PART	TYPE	MATERIAL	COLOR / COATING
C16464_STRADA-2X2-T4-B-PC	LENS	PC	CLEAR

MECHANICAL DRAWING

PRODUCT
STRADA

Plastic moulding general tolerances according to DIN 16901-130 and applies if not otherwise shown in the drawing. Silicone moulding general tolerances according to ISO 3302-1 Class M3 and applies if not otherwise shown in the drawing.

FIRST ANGLE PROJECTION:



SCALE 1:1

WEIGHT -



This drawing is the property of LEDiL Oy. It may not be copied or otherwise distributed without prior written permission from LEDiL Oy.

A3 SHEET 1/1

Notes

●	PCB or heatsink level.
●	LED location
	Ensure LED fitting from a product specific 3D model available from www.ledil.com
	For more details about installation please see LEDiL Installation Guide on www.ledil.com