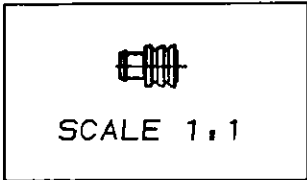


1 2 3 4

SCALA NON IMPEGNATIVA  
(DO NOT SCALE)  
DIMENSIONI IN mm  
(DIMENSIONS IN)

METRIC

PROIEZIONE EUROPEA  
(EUROPEAN PROJECTION)



A

A

B

B

C

C

D

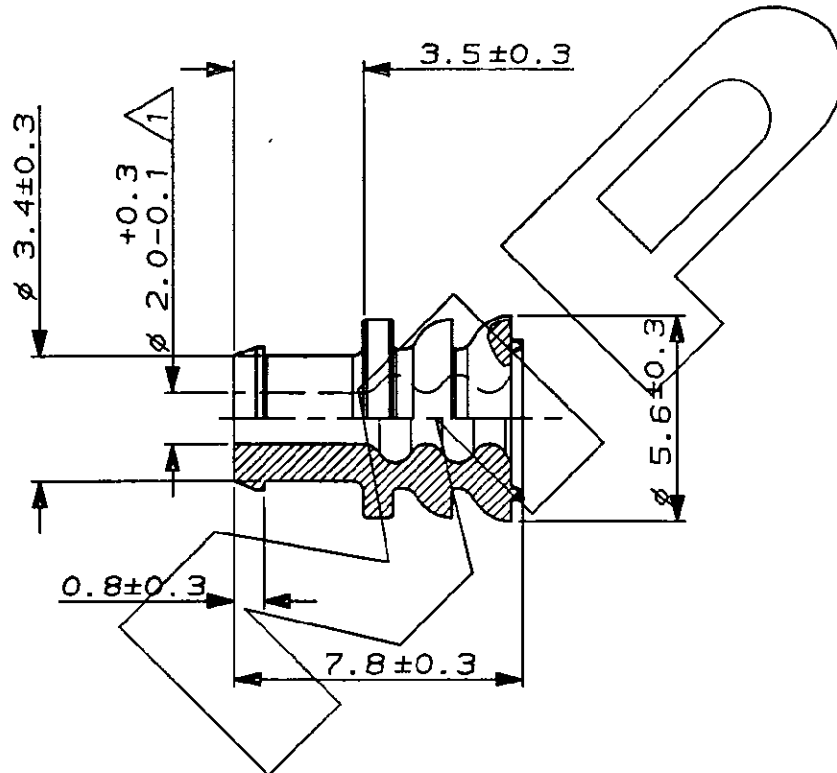
D

E

E

F

F



NOTE

1 FORO PER CAVO ISOLANTE RIDOTTO FASE 3:  $\phi 2.7 - 3.0$   
SECONDO TABELLA FIAT # 91107/03.  
(SUITABLE FOR REDUCED INSULATION CABLE  $\phi 2.7 - 3.0$ )

GRIGIO (GREY)	GOMMA SILICONICA (SILICONE RUBBER)	282536-1
FINITURA / COLORE (FINISH / COLOUR)	MATERIALE (MATERIAL)	NUMERO (PART NUMBER)

CUSTOMER DWG. FOR REFERENCE ONLY      DISEGNO PER CLIENTE SOLO PER RIFERIMENTO

THIS DRAWING IS UNPUBLISHED      RELEASE FOR PUBLICATION      -ts-

© COPYRIGHT 1989 BY AMP INCORPORATED, HARRISBURG, PA. ALL INTERNATIONAL RIGHT RESERVED. AMP PRODUCTS MAY BE COVERED BY U.S. AND FOREIGN PATENT AND/OR PATENT PENDING

TOLLERANZE, SE NON DIVERSAMENTE SPECIFICATE (TOLERANCES, UNLESS OTHERWISE SPECIFIED)	DIAM. ISOLANTE (INS. DIA. RANGED)	RANGO FILO (WIRE RANGE)	SCALA (SCALE)
$\pm 0.3$	see note 1	2.5 mm <sup>2</sup>	--

ANGOLI (ANGLES)  $\pm 2^\circ$

**AMP** AMP ITALIA S.p.A. Corso F. LLI Cervi, 15 COLLEGNO (TORINO)

DIS. 6 MAY 1993 (DR.) C. TARTARINI  
DESCRIZIONE (DESCRIPTION) SINGLE WIRE SEAL

REV. 0	PRIMA EMISSIONE	DIS. (DR.)	DATA (DATE)	LOC. (LOC.)	SIZE	NUMERO (DWG NO)	REV.	FUOGLIO (SHEET)

DISTRIBUZIONE (PRINT DIST.)