

NOTES:  
 1. HOUSING: HIGH TEMPERATURE THERMOPLASTIC.  
 COLOR: BLACK  
 TERMINAL: COPPER ALLOY, SELECTIVE Au PLATING  
 METAL SHELL: STAINLESS STEEL  
 EACH SWITCHES: COPPER ALLOY, SELECTIVE Au PLATING.  
 EACH NAILS: COPPER ALLOY, SELECTIVE AU PLATING.  
 COIL SPRING: STEEL WIRE.  
 CAM PIN: STAINLESS STEEL  
 2. TERMINAL AND NAIL COPLANARITY TO BE 0.1MAX  
 3. CONTACT POSITION OF CARD SIDE

TERMINAL NO.	CONTACT POSITION
NO.1	2.4
NO.2,5,6,7,8	2.9
NO.3,4	3.4
NO.9	5.2

4. OPEN/CLOSE OF EACH SWITCH

	PROTECT TERMINAL		DETECT TERMINAL
	WRITE PROTECT POSITION	WRITE ENABLE POSITION	
CARD UNINSERTION	OPEN	OPEN	OPEN
CARD HALF INSERTION	CLOSE	CLOSE	OPEN
CARD INSERTION	OPEN	CLOSE	CLOSE

5. WHEN DELIVERING, THE PUSH/PUSH MECHANISM IS IN THE STATE OF THE UNLOCK.(CARD DASHING OUT POSITION)  
 6. CARD READ ONLY BY THE TIME THE CARD DETECTION.  
 7. I/O CONTACTS, BASED ON SD I/O ASSOC. REV.G.

PART NO.	DESCRIPTION	PRODUCT SPECIFICATION	REMARK
67913-0001	TIN-LEAD	PS-67840-001	FOR SD ONLY
67913-0002	LEAD FREE	PS-67913-002	
67913-0003	TIN-LEAD WITH/MYLAR	PS-67840-001	
67913-0006	TIN-LEAD W/O CARD LOCK PIN	PS-67913-003	SD/MMC

MODIFY PACKAGE  
 EC NO: SH2011-0064  
 T1 DRWN: JLU39 2010/08/23  
 CHKD: JLU39 2010/08/23  
 APPR: XJSONG 2010/08/27

QUALITY SYMBOLS  
 F=0  
 F=0  
 F=0

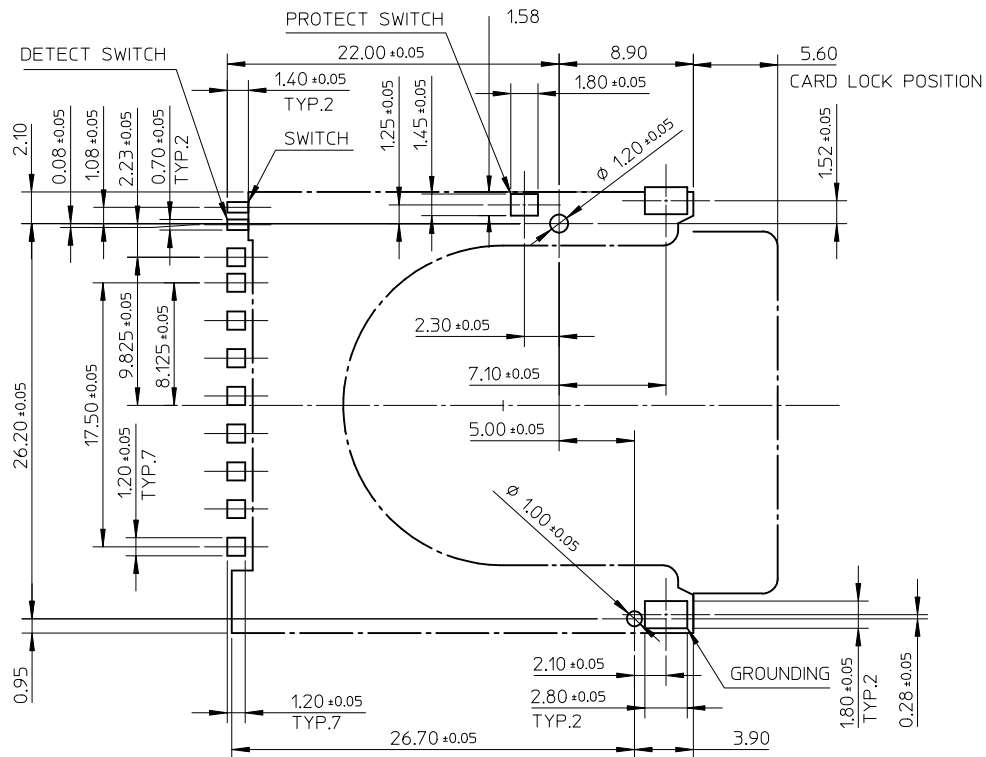
GENERAL TOLERANCES (UNLESS SPECIFIED)  

	mm	INCH
4 PLACES	± ---	± ---
3 PLACES	± ---	± ---
2 PLACES	± 0.25	± ---
1 PLACE	± 0.25	± ---

 ANGULAR ± 3°  
 DRAFT WHERE APPLICABLE MUST REMAIN WITHIN DIMENSIONS

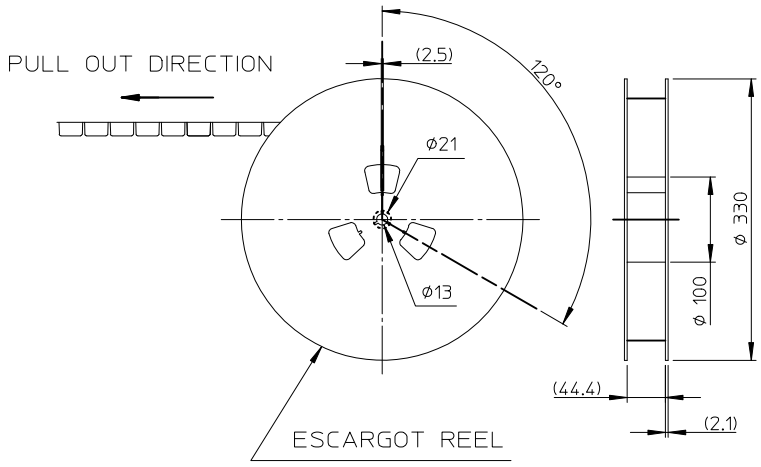
DIMENSION STYLE  
 MM ONLY  
 DRAWN BY: MAX  
 DATE: 2003/02/13  
 CHECKED BY: WILSON  
 DATE: 2003/02/13  
 APPROVED BY: ERICK  
 DATE: 2003/02/13  
 MATERIAL NO.  
 SEE TABLE

SCALE 3:1  
 DESIGN UNITS METRIC  
 THIRD ANGLE PROJECTION  
 SD/IO CARD CONN. REVERSE TYPE WITH PUSH PUSH  
 MOLEX INCORPORATED  
 DOCUMENT NO. SD-67913-001  
 SHEET NO. 1 OF 3  
 THIS DRAWING CONTAINS INFORMATION THAT IS PROPRIETARY TO MOLEX INCORPORATED AND SHOULD NOT BE USED WITHOUT WRITTEN PERMISSION



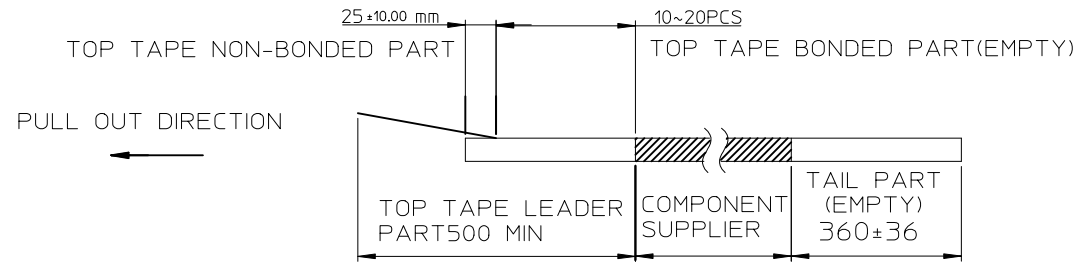
RECOMMENDED P.C.B LAYOUT DIMENSION

<b>MODIFY PACKAGE</b> EC NO: SH2011-0064 DRWN: JL U39 2010/08/23 CHKD: JL U39 2010/08/23 APPR: XJ SONG 2010/08/27	DESCRIPTION REV	QUALITY SYMBOLS	GENERAL TOLERANCES (UNLESS SPECIFIED)		DIMENSION STYLE	SCALE	DESIGN UNITS	THIRD ANGLE PROJECTION	
		$\nabla_{\text{S}} = 0$ $\nabla_{\text{G}} = 0$ $\nabla_{\text{P}} = 0$	mm	INCH	MM ONLY	3:1	METRIC		
		4 PLACES ± --- ± --- 3 PLACES ± --- ± --- 2 PLACES ± 0.25 ± --- 1 PLACE ± 0.25 ± ---	DRAWN BY DATE		TITLE		SD/IO CARD CONN. REVERSE TYPE WITH PUSH PUSH		
		ANGULAR ± 3 °	MAX 2003/02/13		WILSON 2003/02/13				
DRAFT WHERE APPLICABLE MUST REMAIN WITHIN DIMENSIONS		MATERIAL NO.		ERICK 2003/02/13		MOLEX INCORPORATED		SHEET NO.	
		SEE TABLE		DOCUMENT NO.		SD-67913-001		2 OF 3	
				THIS DRAWING CONTAINS INFORMATION THAT IS PROPRIETARY TO MOLEX INCORPORATED AND SHOULD NOT BE USED WITHOUT WRITTEN PERMISSION					

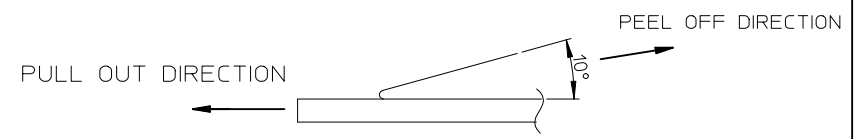


NOTES

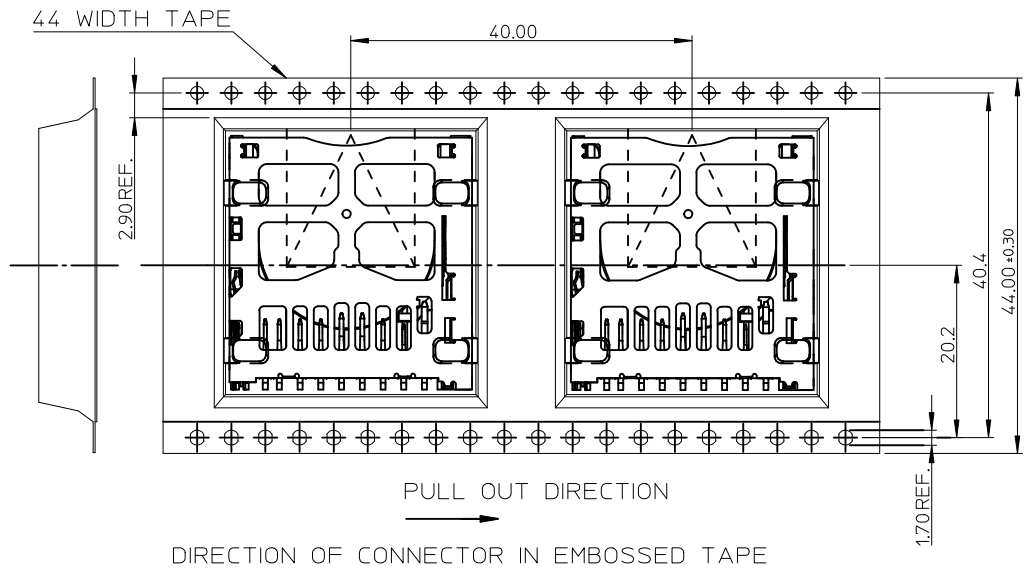
- 1. NUMBER OF CONNECTORS: 300 PCS/REEL
- 2.



- 3. PEEL OFF FORCE OF TOP TAPE: 0.1~1.3 N (10.2~130gf)  
PEELING DIRECTION AS SHOWN IN FOLLOWING FIG.)  
(PEEL OFF SPEED: 300mm/min.REF.)



- 4. PACKAGING DRAWING REFERS TO PK-67913-001.



MODIFY PACKAGE EC NO: SH2011-0064 DRWN: JL IU39 CHKD: JL IU39 APPR: XJ SONG 2010/08/23 2010/08/23 2010/08/27	QUALITY SYMBOLS F=0 F=0 F=0	GENERAL TOLERANCES (UNLESS SPECIFIED)		DIMENSION STYLE MM ONLY		SCALE 1:1	DESIGN UNITS METRIC	THIRD ANGLE PROJECTION		
				DRAWN BY MAX	DATE 2003/02/13	TITLE SD/IO CARD CONN. REVERSE TYPE WITH PUSH PUSH				
				4 PLACES ± --- ± --- 3 PLACES ± --- ± --- 2 PLACES ± 0.25 ± --- 1 PLACE ± 0.25 ± ---	CHECKED BY WILSON	DATE 2003/02/13	MOLEX INCORPORATED			
				ANGULAR ± 3 °	APPROVED BY ERICK	DATE 2003/02/13	MATERIAL NO. SEE TABLE	DOCUMENT NO. SD-67913-001	SHEET NO. 3 OF 3	
DRAFT WHERE APPLICABLE MUST REMAIN WITHIN DIMENSIONS			THIS DRAWING CONTAINS INFORMATION THAT IS PROPRIETARY TO MOLEX INCORPORATED AND SHOULD NOT BE USED WITHOUT WRITTEN PERMISSION							