



Is Now Part of



**ON Semiconductor®**

To learn more about ON Semiconductor, please visit our website at  
[www.onsemi.com](http://www.onsemi.com)

ON Semiconductor and the ON Semiconductor logo are trademarks of Semiconductor Components Industries, LLC dba ON Semiconductor or its subsidiaries in the United States and/or other countries. ON Semiconductor owns the rights to a number of patents, trademarks, copyrights, trade secrets, and other intellectual property. A listing of ON Semiconductor's product/patent coverage may be accessed at [www.onsemi.com/site/pdf/Patent-Marking.pdf](http://www.onsemi.com/site/pdf/Patent-Marking.pdf). ON Semiconductor reserves the right to make changes without further notice to any products herein. ON Semiconductor makes no warranty, representation or guarantee regarding the suitability of its products for any particular purpose, nor does ON Semiconductor assume any liability arising out of the application or use of any product or circuit, and specifically disclaims any and all liability, including without limitation special, consequential or incidental damages. Buyer is responsible for its products and applications using ON Semiconductor products, including compliance with all laws, regulations and safety requirements or standards, regardless of any support or applications information provided by ON Semiconductor. "Typical" parameters which may be provided in ON Semiconductor data sheets and/or specifications can and do vary in different applications and actual performance may vary over time. All operating parameters, including "Typicals" must be validated for each customer application by customer's technical experts. ON Semiconductor does not convey any license under its patent rights nor the rights of others. ON Semiconductor products are not designed, intended, or authorized for use as a critical component in life support systems or any FDA Class 3 medical devices or medical devices with a same or similar classification in a foreign jurisdiction or any devices intended for implantation in the human body. Should Buyer purchase or use ON Semiconductor products for any such unintended or unauthorized application, Buyer shall indemnify and hold ON Semiconductor and its officers, employees, subsidiaries, affiliates, and distributors harmless against all claims, costs, damages, and expenses, and reasonable attorney fees arising out of, directly or indirectly, any claim of personal injury or death associated with such unintended or unauthorized use, even if such claim alleges that ON Semiconductor was negligent regarding the design or manufacture of the part. ON Semiconductor is an Equal Opportunity/Affirmative Action Employer. This literature is subject to all applicable copyright laws and is not for resale in any manner.

# FAN302UL

## PWM Controller for Low Standby Power Battery-Charger Applications — mWSaver™ Technology

### Features

- mWSaver™ Technology Provides Best-in-Class Standby Power
- Achieves <10 mW, Far Below Energy Star's 5-Star Level (<30 mW).
- Proprietary 500 V High-Voltage JFET Startup Reduces Startup Resistor Loss
- Low Operation Current in Burst Mode: 350  $\mu$ A Maximum
- Constant-Current (CC) Control without Secondary-Side Feedback Circuitry
- Fixed PWM Frequency at 140 kHz with Frequency Hopping to Reduce EMI
- High-Voltage Startup
- Low Operating Current: 3.5 mA
- Peak-Current-Mode Control with Slope Compensation
- Cycle-by-Cycle Current Limiting
- $V_{DD}$  Over-Voltage Protection (Auto-Restart)
- $V_S$  Over-Voltage Protection (Latch Mode)
- $V_{DD}$  Under-Voltage Lockout (UVLO)
- Gate Output Maximum Voltage Clamped at 15 V
- Fixed Over-Temperature Protection (Latch Mode)
- Available in an 8-Lead SOIC Package

### Applications

Battery chargers for cellular phones, cordless phones, PDA, digital cameras, and power tools. Replaces linear transformers and RCC SMPS.

### Description

Advanced PWM controller FAN302UL significantly simplifies isolated power supply designs that require Constant Current (CC) regulation of the output. The output current is precisely estimated with information in the primary side of the transformer and controlled with an internal compensation circuit, not only removing the output current sensing loss, but also eliminating external CC control circuitry. A Green-Mode function with an extremely low operating current (200  $\mu$ A) in Burst Mode maximizes light-load efficiency, enabling conformance to worldwide Standby Mode efficiency guidelines.

Integrated protections include two-level pulse-by-pulse current limit, Over-Voltage Protection (OVP), brownout protection, and Over-Temperature Protection (OTP).

Compared with a conventional approach using external control circuit in the secondary side for CC regulation; the FAN302UL reduces total cost, component count, size, and weight, while simultaneously increasing efficiency, productivity, and system reliability.

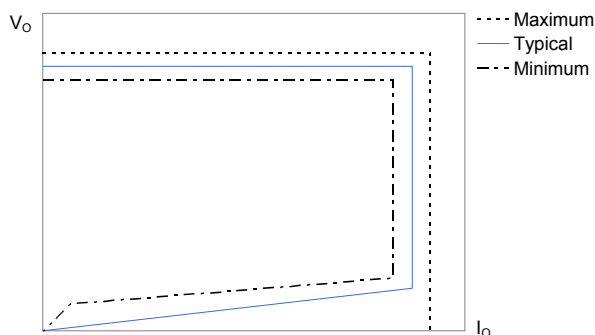


Figure 1. Typical Output V-I Characteristic

### Ordering Information

Part Number	Operating Temperature Range	Package	Packing Method
FAN302ULMY	-40°C to +105°C	8-Lead, Small-Outline Integrated Circuit (SOIC), JEDEC MS-012, .150-Inch Narrow Body	Tape & Reel

### Application Diagram

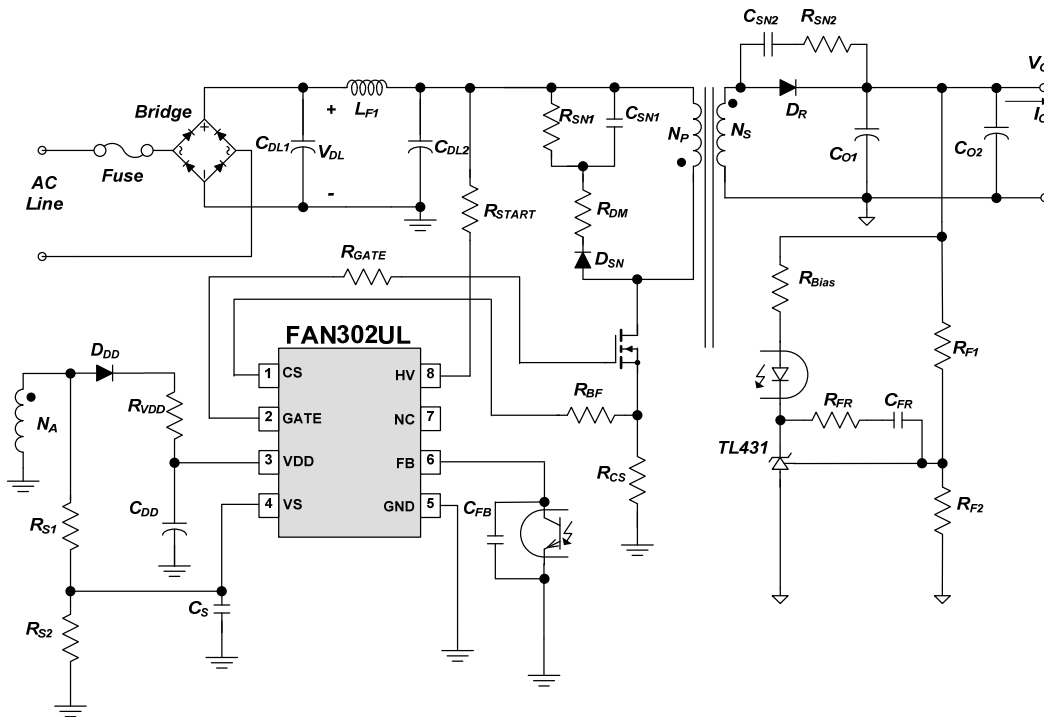


Figure 2. Typical Application

### Internal Block Diagram

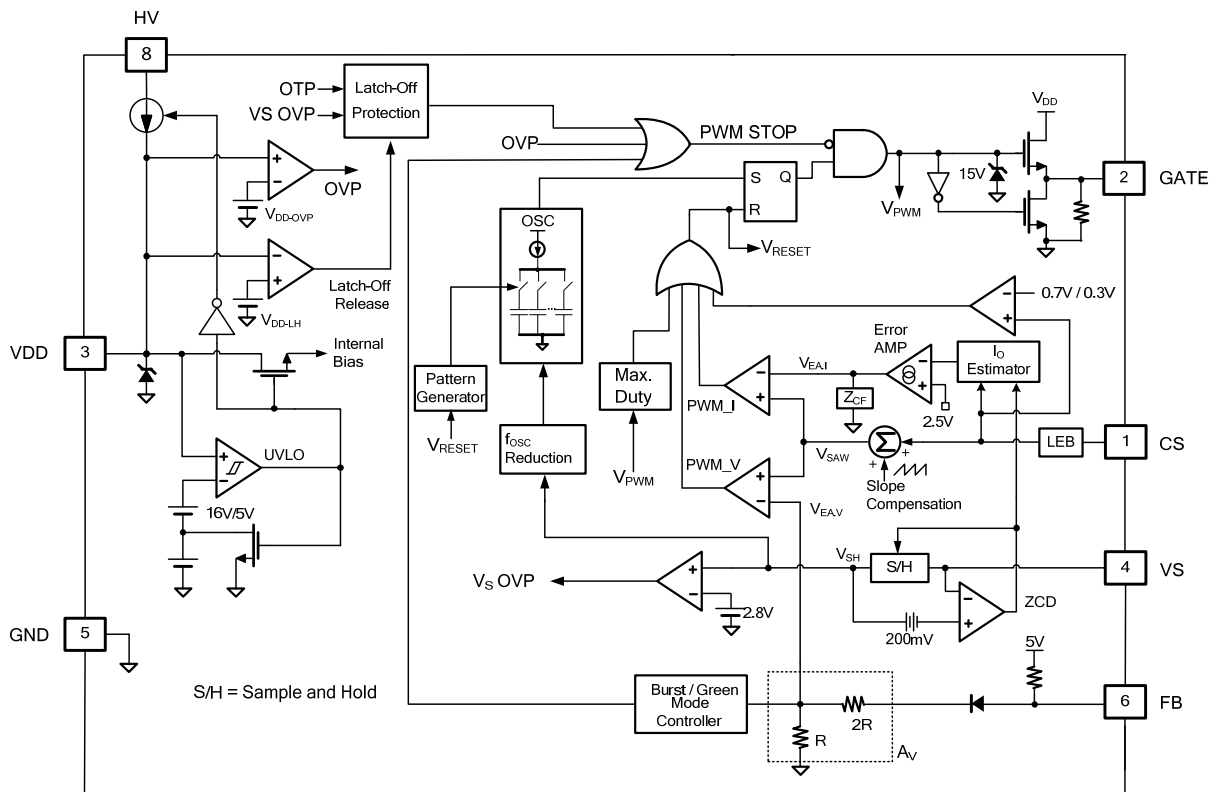


Figure 3. Functional Block Diagram

## Marking Information

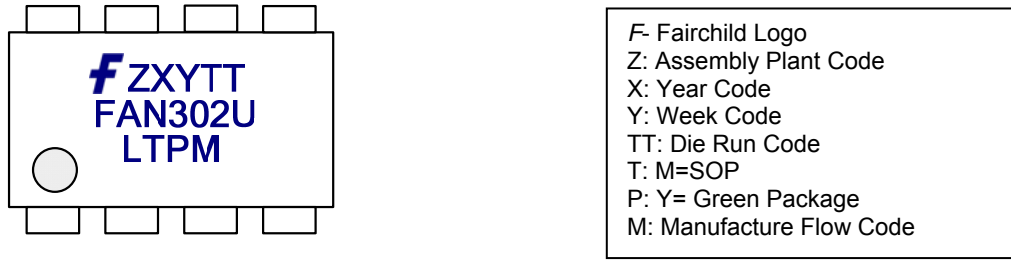


Figure 4. Top Mark

## Pin Configuration

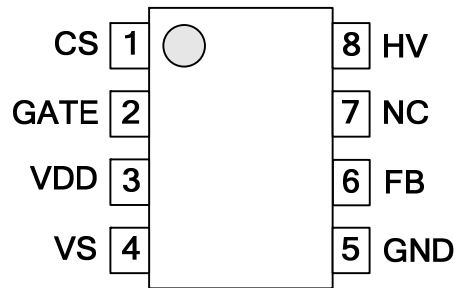


Figure 5. Pin Assignments

## Pin Definitions

Pin #	Name	Description
1	CS	<b>Current Sense.</b> This pin connects a current-sense resistor to detect the MOSFET current for Peak-Current-Mode control for output regulation. The current-sense information is also used to estimate the output current for CC regulation.
2	GATE	<b>PWM Signal Output.</b> This pin has an internal totem-pole output driver to drive the power MOSFET. It is internally clamped at 15 V.
3	VDD	<b>Power Supply.</b> IC operating current and MOSFET driving current are supplied through this pin. This pin is typically connected to an external $V_{DD}$ capacitor.
4	VS	<b>Voltage Sense.</b> This pin detects the output voltage information and diode current discharge time based on voltage of the auxiliary winding.
5	GND	<b>Ground</b>
6	FB	<b>Feedback.</b> Typically, an Opto-Coupler is connected to this pin to provide feedback information to the internal PWM comparator. This feedback is used to control the duty cycle in CV regulation.
7	NC	No Connect
8	HV	<b>High Voltage.</b> This pin connects to the DC bus for high-voltage startup.

## Absolute Maximum Ratings

Stresses exceeding the absolute maximum ratings may damage the device. The device may not function or be operable above the recommended operating conditions and stressing the parts to these levels is not recommended. In addition, extended exposure to stresses above the recommended operating conditions may affect device reliability. The absolute maximum ratings are stress ratings only.

Symbol	Parameter		Min.	Max.	Unit
V <sub>HV</sub>	HV Pin Input Voltage			500	V
V <sub>VDD</sub>	DC Supply Voltage <sup>(1,2)</sup>			30	V
V <sub>VS</sub>	VS Pin Input Voltage		-0.3	7.0	V
V <sub>CS</sub>	CS Pin Input Voltage		-0.3	7.0	V
V <sub>FB</sub>	FB Pin Input Voltage		-0.3	7.0	V
P <sub>D</sub>	Power Dissipation (T <sub>A</sub> =25°C)			660	mW
θ <sub>JA</sub>	Thermal Resistance (Junction-to-Air)			150	°C/W
θ <sub>JC</sub>	Thermal Resistance (Junction-to-Case)			39	°C/W
T <sub>J</sub>	Operating Junction Temperature		-40	+150	°C
T <sub>STG</sub>	Storage Temperature Range		-55	+150	°C
T <sub>L</sub>	Lead Temperature (Wave Soldering or IR, 10 Seconds)			+260	°C
ESD	Electrostatic Discharge Capability	Human Body Model, JEDEC:JESD22_A114 (Except HV Pin) <sup>(3)</sup>		5.0	kV
		Charged Device Model, JEDEC:JESD22_C101 (Except HV Pin) <sup>(3)</sup>		1.5	

### Notes:

1. All voltage values, except differential voltages, are given with respect to the GND pin.
2. Stresses beyond those listed under Absolute Maximum Ratings may cause permanent damage to the device.
3. ESD ratings including the HV pin: HBM=500 V, CDM=750 V.

## Electrical Characteristics

$V_{DD}=15\text{ V}$  and  $T_A=25^\circ\text{C}$  unless noted.

Symbol	Parameter	Condition	Min.	Typ.	Max.	Unit	
<b>HV Section</b>							
$V_{HV-MIN}$	Minimum Startup Voltage on HV Pin				50	V	
$I_{HV}$	Supply Current Drawn from HV Pin	$V_{HV}=100\text{ V}$ , $V_{DD}=0\text{ V}$ , Controller Off	0.8	1.5	5.0	mA	
$I_{HV-LC}$	Leakage Current Drawn from HV Pin	$V_{HV}=500\text{ V}$ , $V_{DD}=15\text{ V}$ (Controller On with Auxiliary Supply)		0.8	3.0	$\mu\text{A}$	
<b>V<sub>DD</sub> Section</b>							
$V_{DD-ON}$	Turn-On Threshold Voltage	$V_{DD}$ Rising	15	16	17	V	
$V_{DD-OFF}$	Turn-Off Threshold Voltage	$V_{DD}$ Falling	4.7	5.0	5.3	V	
$V_{DD-LH}$	Threshold Voltage for Latch-Off Release	$V_{DD}$ Falling		2.50		V	
$I_{DD-ST}$	Startup Current	$V_{DD}=V_{DD-ON} - 0.16\text{ V}$		400	450	$\mu\text{A}$	
$I_{DD-OP}$	Operating Supply Current	$V_{DD}=18\text{ V}$ , $f=f_{OSC}$ , $C_L=1\text{ nF}$		3.5	4.0	mA	
$I_{DD-BURST}$	Burst-Mode Operating Supply Current	$V_{DD}=8\text{ V}$ , $C_L=1\text{ nF}$		200	350	$\mu\text{A}$	
$V_{DD-OVP}$	$V_{DD}$ Over-Voltage Protection Level		25.0	26.5	28.0	V	
$t_{D-VDDOVP}$	$V_{DD}$ Over-Voltage Protection Debounce Time	$f=140\text{ kHz}$		100	180	$\mu\text{s}$	
<b>Oscillator Section</b>							
$f_{OSC}$	Frequency	Center Frequency	$V_{CS}=5\text{ V}$ , $V_S=2.5$ , $V_{FB}=5\text{ V}$	135	140	145	kHz
		Hopping Range			$\pm 5$		
$f_{OSC-CM-MIN}$	Minimum Frequency by Continuous Conduction Mode (CCM) Prevention Circuit <sup>(4)</sup>			17	22	27	kHz
$f_{OSC-CCM}$	Minimum Frequency in (CC) Regulation		$V_{CS}=5\text{ V}$ , $V_S=0\text{ V}$	40	45	50	kHz
<b>Feedback Input Section</b>							
$A_V$	Internal Voltage Scale-Down Ratio of FB Pin <sup>(5)</sup>			1/3.5	1/3.0	1/2.5	V/V
$Z_{FB}$	FB Pin Input Impedance			38	42	44	k $\Omega$
$V_{FB-OPEN}$	FB Pin Pull-Up Voltage		FB Pin Open		5.3		V
$V_{FB-L}$	FB Threshold to Disable Gate Drive in Burst Mode		$V_{FB}$ Falling, $V_{CS}=5\text{ V}$ , $V_S=0\text{ V}$	1.0	1.1	1.2	V
$V_{FB-H}$	FB Threshold to Enable Gate Drive in Burst Mode		$V_{FB}$ Rising, $V_{CS}=5\text{ V}$ , $V_S=0\text{ V}$	1.05	1.15	1.25	V
<b>Over-Temperature Protection Section</b>							
$T_{OTP}$	Threshold Temperature for Over-Temperature Protection <sup>(6)</sup>			+130	+140	+150	$^\circ\text{C}$

Continued on the following page...

**Electrical Characteristics** (Continued)V<sub>DD</sub>=15 V and T<sub>A</sub>=25°C unless noted.

Symbol	Parameter	Condition	Min.	Typ.	Max.	Unit
<b>Voltage-Sense Section</b>						
I <sub>TC</sub>	Bias Current	V <sub>CS</sub> =5 V	8.75	10.00	11.25	μA
V <sub>VS-CM-MIN</sub>	V <sub>S</sub> Sampling Voltage to Switch to the Second Pulse-by-Pulse Current Limit in Power Limit Mode <sup>(6)</sup>			0.55		V
V <sub>VS-CM-MAX</sub>	V <sub>S</sub> Sampling Voltage to Switch Back to the Normal Pulse-by-Pulse Current Limit <sup>(6)</sup>			0.75		V
V <sub>SN-CC</sub>	V <sub>S</sub> Sampling Voltage to Start Frequency Decreasing in CC Mode	V <sub>CS</sub> =5 V, f <sub>S1</sub> =f <sub>OSC</sub> -2 KHz		2.15		V
V <sub>SG-CC</sub>	V <sub>S</sub> Sampling Voltage to End Frequency Decreasing in CC Mode	V <sub>CS</sub> =5 V, f <sub>S2</sub> =f <sub>OSC-CCM</sub> +2 KHz		0.70		V
S <sub>G-CC</sub>	Frequency Decreasing Slope of CC Regulation	$S_{G-CC} = \frac{(f_{S1}-f_{S2})}{(V_{SN-CC}-V_{SG-CC})}$	52	64	76	kHz/V
I <sub>VS-UVP</sub>	Sinking Current Threshold for Brownout Protection <sup>(6)</sup>			47		μA
V <sub>VS-OFFSET</sub>	ZCD Comparator Internal Offset Voltage <sup>(6)</sup>			200		mV
V <sub>VS-OVP</sub>	Output Over-Voltage Protection with V <sub>S</sub> Sampling Voltage			2.80	2.85	V
t <sub>VS-OVP</sub>	Output Over-Voltage Protection Debounce Time	f=140 kHz		60	120	μs
<b>Current-Sense Section</b>						
V <sub>VR</sub>	Internal Reference Voltage for CC Regulation		2.475	2.500	2.525	V
V <sub>CCR</sub>	Variation Test Voltage on CS Pin for CC Output (Non-Inverting Input of Error Amplifier for CC Regulation)	V <sub>CS</sub> =0.41 V	2.405	2.430	2.455	V
V <sub>STH</sub>	Normal Current Limit Threshold Voltage			0.7		V
V <sub>STH-VA</sub>	Second Current Limit Threshold Voltage at Power Limit Mode (V <sub>S</sub> <V <sub>VS-CM-MAX</sub> )	V <sub>VS</sub> =0.3 V	0.25	0.30	0.35	V
t <sub>PD</sub>	GATE Output Turn-Off Delay			100	150	ns
t <sub>MIN</sub>	Minimum On Time	V <sub>CS</sub> =5 V, V <sub>VS</sub> =2.5, V <sub>FB</sub> =5 V (Test Mode)	180	250	320	ns
t <sub>LEB</sub>	Leading-Edge Blanking Time <sup>(6)</sup>		100	150	200	ns
V <sub>SLOPE</sub>	Slope Compensation <sup>(6)</sup>	Maximum Duty Cycle		0.3		V
<b>GATE Section</b>						
DCY <sub>MAX</sub>	Maximum Duty Cycle		61	64	67	%
V <sub>GATE-L</sub>	Output Voltage Low	V <sub>DD</sub> =25 V, I <sub>O</sub> =10 mA			1.5	V
V <sub>GATE-H</sub>	Output Voltage High	V <sub>DD</sub> =8 V, I <sub>O</sub> =1 mA	5		8	V
V <sub>GATE-H</sub>	Output Voltage High	V <sub>DD</sub> =5.5 V, I <sub>O</sub> =1 mA	4.0		5.5	V
t <sub>r</sub>	Rising Time	V <sub>DD</sub> =15 V, C <sub>L</sub> =1 nF	100	140	180	ns
t <sub>f</sub>	Falling Time	V <sub>DD</sub> =15V, C <sub>L</sub> =1nF	30	50	70	ns
V <sub>GATE-CLAMP</sub>	Gate Output Clamping Voltage	V <sub>DD</sub> =25 V	13	15	17	V

**Notes:**

- f<sub>OSC-CM-MIN</sub> occurs when the power unit enters CCM operation.
- A<sub>V</sub> is a scale-down ratio of the internal voltage divider of the FB pin.
- Not tested; guaranteed by design.

## Typical Performance Characteristics

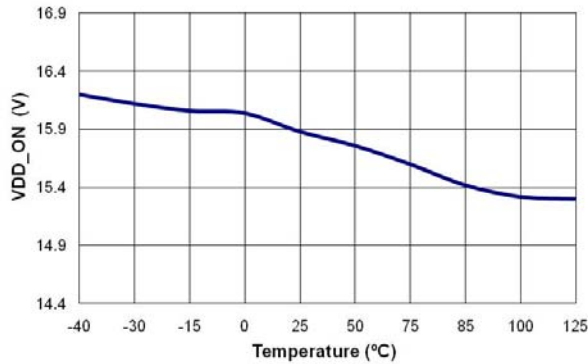


Figure 6. V<sub>DD</sub> Turn-On Threshold Voltage (V<sub>DD-ON</sub>) vs. Temperature

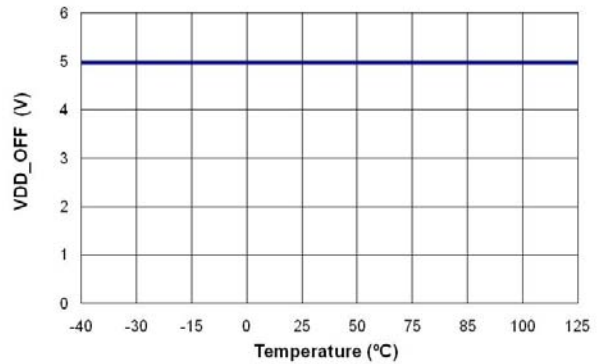


Figure 7. V<sub>DD</sub> Turn-Off Threshold Voltage (V<sub>DD-OFF</sub>) vs. Temperature

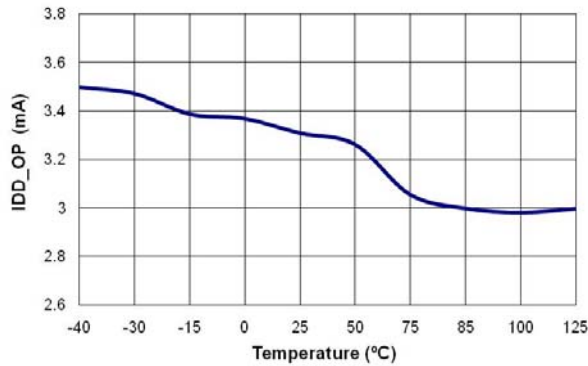


Figure 8. Operating Current (I<sub>DD-OP</sub>) vs. Temperature

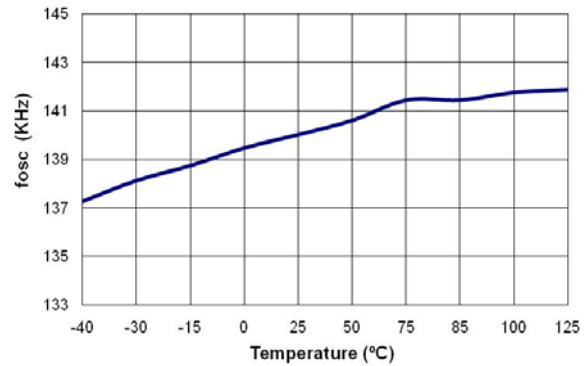


Figure 9. Burst Mode Operating Current (I<sub>DD-BURST</sub>) vs. Temperature

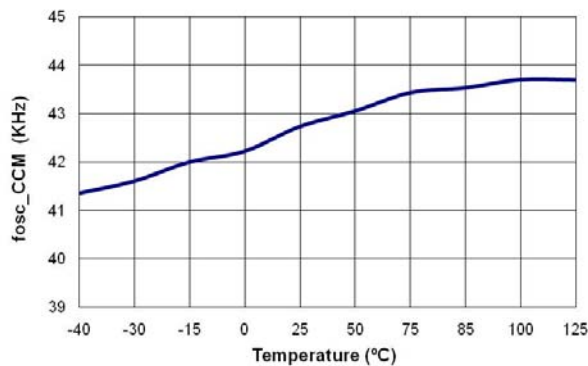


Figure 10. CC Regulation Minimum Frequency (f<sub>OSC-CCM</sub>) vs. Temperature

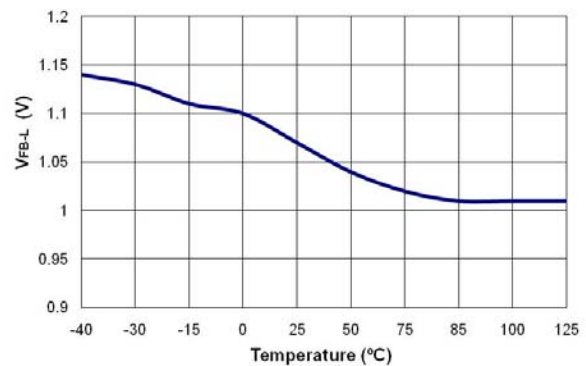


Figure 11. Enter Zero Duty Cycle of FB Voltage (V<sub>FB-L</sub>) vs. Temperature



## Typical Performance Characteristics

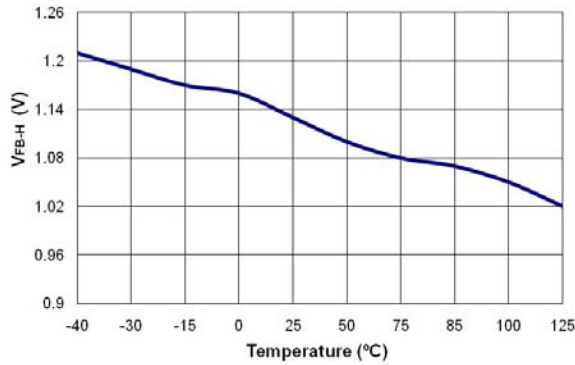


Figure 12. Leave Zero Duty Cycle of FB Voltage (V<sub>FB-H</sub>) vs. Temperature

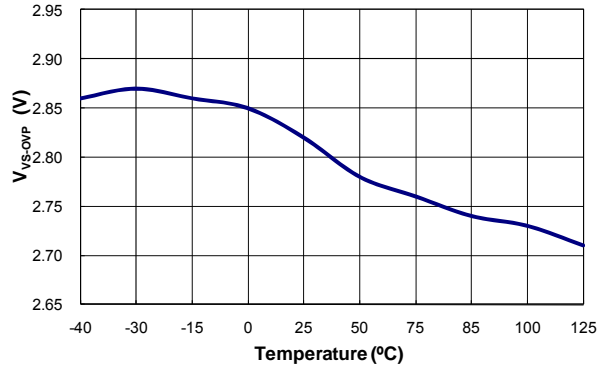


Figure 13. V<sub>S</sub> Over-Voltage Protection (V<sub>VS-OVP</sub>) vs. Temperature

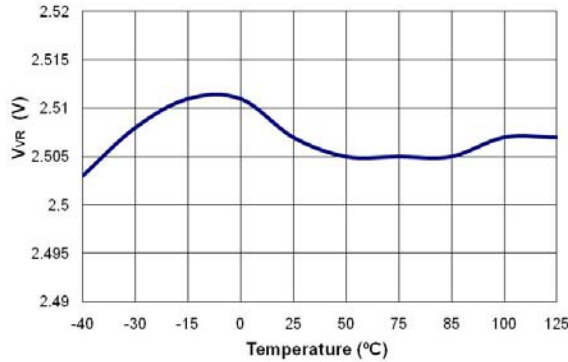


Figure 14. Reference Voltage of CS (V<sub>VR</sub>) vs. Temperature

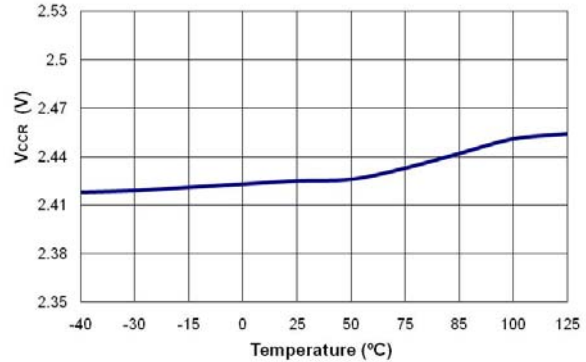


Figure 15. Variation Voltage on CS Pin for CC Regulation (V<sub>VCCR</sub>) vs. Temperature

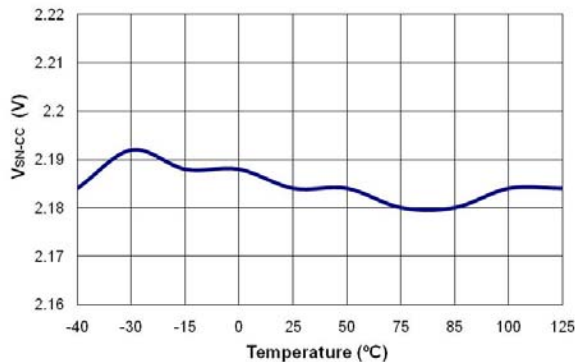


Figure 16. Starting Voltage of Frequency Decreasing of CC Regulation (V<sub>VSN-CC</sub>) vs. Temperature

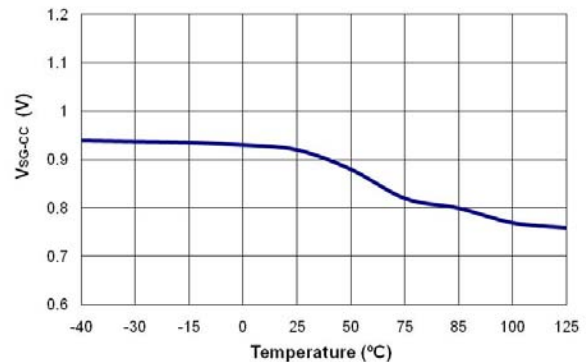


Figure 17. Ending Voltage of Frequency Decreasing of CC Regulation (V<sub>VSG-CC</sub>) vs. Temperature

## Typical Performance Characteristics

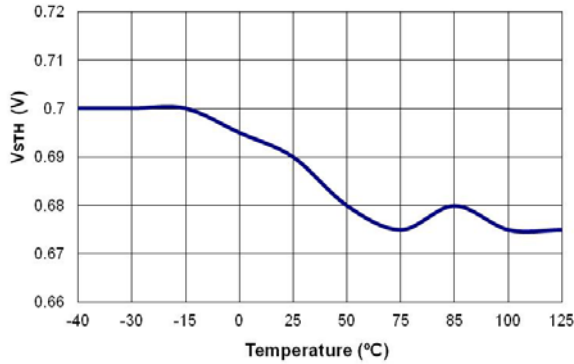


Figure 18. Threshold Voltage for Current Limit ( $V_{STH}$ ) vs. Temperature

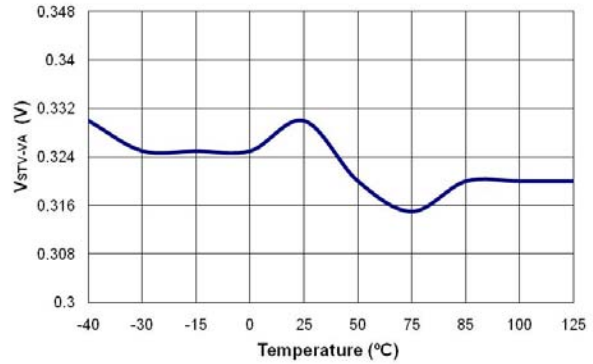


Figure 19. Threshold Voltage for Current Limit at Power Mode ( $V_{STH-VA}$ ) vs. Temperature

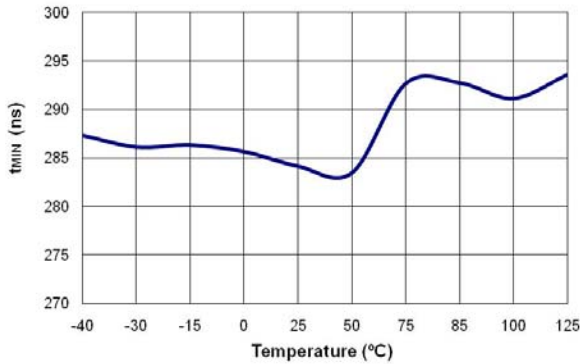


Figure 20. Minimum On Time ( $t_{MIN}$ ) vs. Temperature

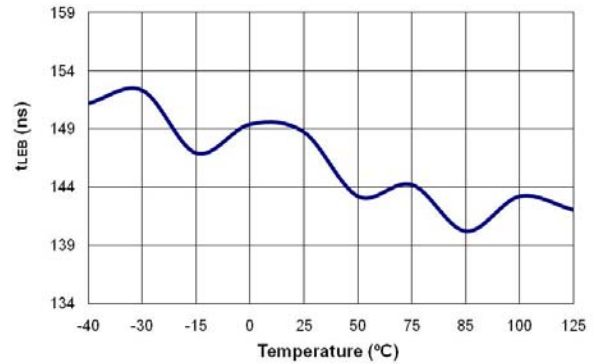


Figure 21. Leading-Edge Blanking Time ( $t_{LEB}$ ) vs. Temperature

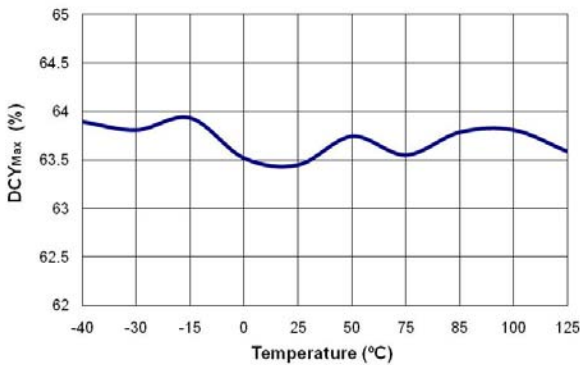


Figure 22. Maximum Duty Cycle ( $DCY_{MAX}$ ) vs. Temperature

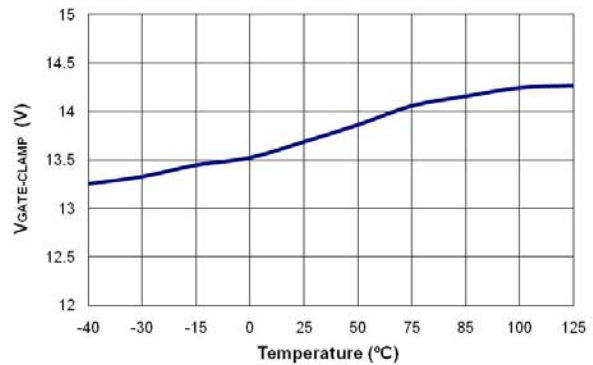


Figure 23. Gate Output Clamp Voltage ( $V_{GATE-CLAMP}$ ) vs. Temperature

## Operational Description

### Basic Control Principle

Figure 24 shows the internal PWM control circuit. The Constant Voltage (CV) regulation is implemented in the same way as in a conventional isolated power supply, where the output voltage is sensed using a voltage divider and compared with the internal 2.5 V reference of shut regulator (KA431) to generate a compensation signal. The compensation signal is transferred to the primary side using an opto-coupler and scaled down through an attenuator,  $A_V$ , generating  $V_{EA,V}$  signal. Then, the error signal  $V_{EA,V}$  is applied to the PWM comparator (PWM.V) to determine the duty cycle.

Meanwhile, CC regulation is implemented internally without directly sensing output current. The output current estimator reconstructs output current data ( $V_{CCR}$ ) using the transformer primary-side current and diode current discharge time. When  $V_{CCR}$  is compared with a reference voltage (2.5 V) by an internal error amplifier, generating a  $V_{EA,I}$  signal to determine duty cycle.

The two error signals,  $V_{EA,I}$  and  $V_{EA,V}$ , are compared with an internal sawtooth waveform ( $V_{SAW}$ ) by PWM comparators PWM.I and PWM.V, respectively, to determine the duty cycle. Figure 24 shows the outputs of two comparators (PWM.I and PWM.V) combined with OR gate and used as a reset signal of flip-flop to determine the MOSFET turn-off instant. Of  $V_{EA,V}$  and  $V_{EA,I}$ , the lower signal determines the duty cycle, as shown in Figure 25. During CV regulation,  $V_{EA,V}$  determines the duty cycle while  $V_{EA,I}$  is saturated to HIGH. During CC regulation mode,  $V_{EA,I}$  determines the duty cycle while  $V_{EA,V}$  is saturated to HIGH.

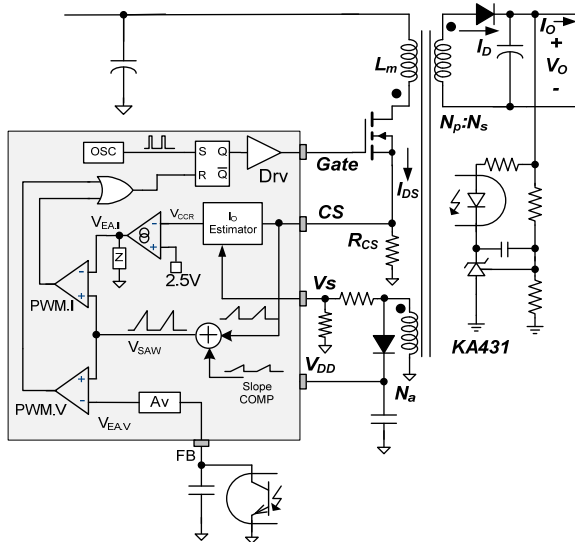


Figure 24. Internal PWM Control Circuit

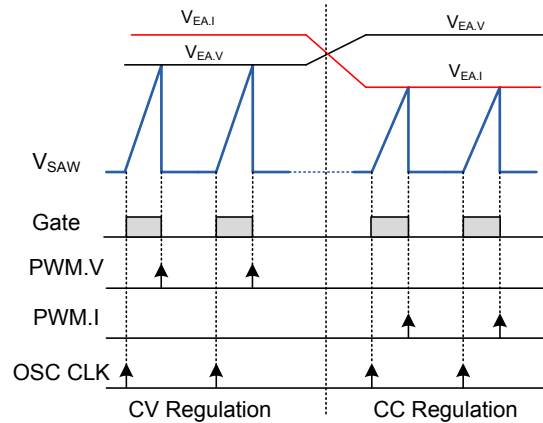


Figure 25. PWM Operation for CC and CV

### Output Current Estimation

Figure 26 shows the key waveform of a flyback converter operating in Discontinuous Conduction Mode (DCM), where the secondary-side diode current reaches zero before the next switching cycle begins. Since the output current estimator is designed for DCM operation, the power stage should be designed such that DCM is guaranteed for the entire operating range. The output current is obtained by averaging the triangular output diode current area over a switching cycle as:

$$I_O = \langle I_D \rangle_{AVG} = I_{PK} \frac{N_P}{N_S} \frac{T_{DIS}}{2T_S} \quad (1)$$

where  $I_{PK}$  is the peak value of the primary-side current;  $N_P$  and  $N_S$  are the number of turns of transformer primary side and secondary side, respectively;  $t_{DIS}$  is the diode current discharge time; and  $t_S$  is the switching period.

### $I_{DS}$ (MOSFET Drain-to-Source Current)

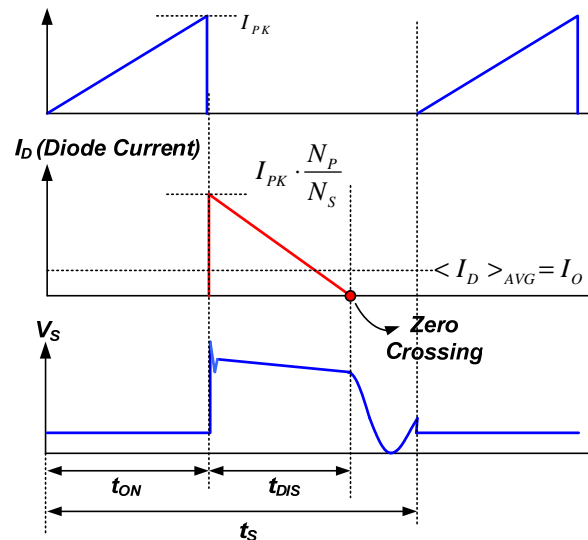


Figure 26. Key Waveforms of DCM Flyback Converter

With a given current sensing resistor, the output current can be programmed as:

$$I_o = \frac{1.25}{K \cdot R_{SENSE}} \frac{N_p}{N_s} \quad (2)$$

where K is the design parameter of IC, which is 12 for FAN302UL.

The peak value of primary-side current is obtained by an internal peak-detection circuit while diode current discharge time is obtained by detecting the diode current zero-crossing instant. Since the diode current cannot be sensed directly with primary-side control, the Zero Crossing Detection (ZCD) is accomplished indirectly by monitoring the auxiliary winding voltage. When the diode current reaches zero, the transformer winding voltage begins to drop by the resonance between the MOSFET output capacitance and transformer magnetizing inductance. To detect the starting instant of the resonance, the  $V_s$  is sampled at 85% of the diode current discharge time of the previous switching cycle and compared with the instantaneous  $V_s$  voltage. When instantaneous voltage of the VS pin drops below the sampled voltage by more than 200 mV, ZCD of diode current is obtained as shown in Figure 27.

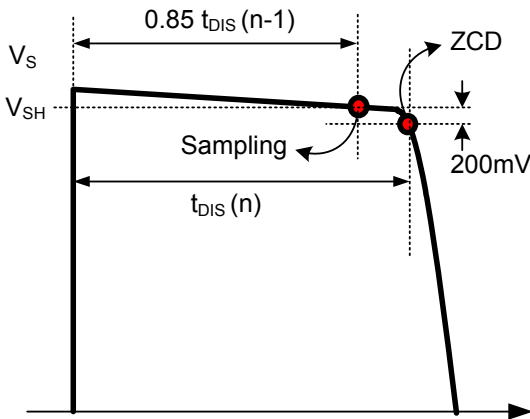


Figure 27. Detailed Waveform for ZCD

### Frequency Reduction in CC Mode

The transformer should be designed to guarantee DCM operation over the whole operation range since the output current is properly estimated only in DCM operation. As can be seen in Figure 28, the discharge time ( $t_{DIS}$ ) of the diode current increases as the output voltage decreases in CC Mode. The converter tends to go into CCM as output voltage drops in CC Mode when operating at the fixed switching frequency. To prevent this CCM operation and maintain good output current estimation in DCM, FAN302UL decreases switching frequency as output voltage drops, as shown in Figure 28 and Figure 29. FAN302UL indirectly monitors the output voltage by the sample-and-hold voltage ( $V_{SH}$ ) of  $V_s$ , which is taken at 85% of diode current discharge time of the previous switching cycle, as shown in Figure 27. Figure 30 shows how the frequency reduces as the sample-and-hold voltage of the VS pin decreases.

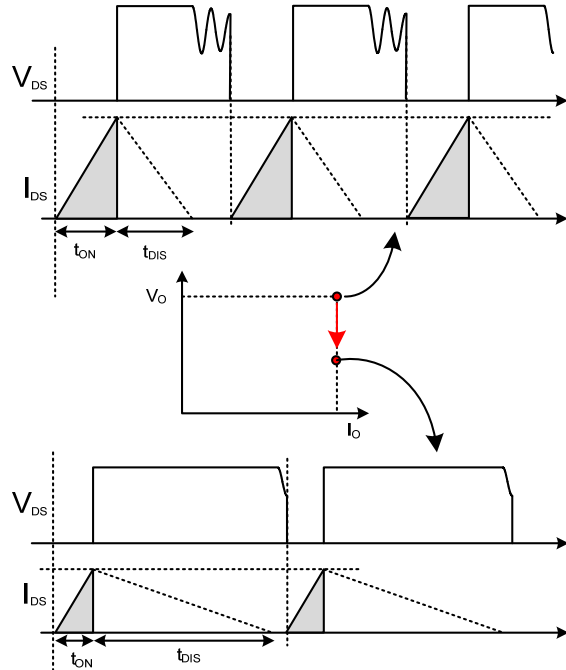


Figure 28.  $t_{DIS}$  Variation in CC Mode

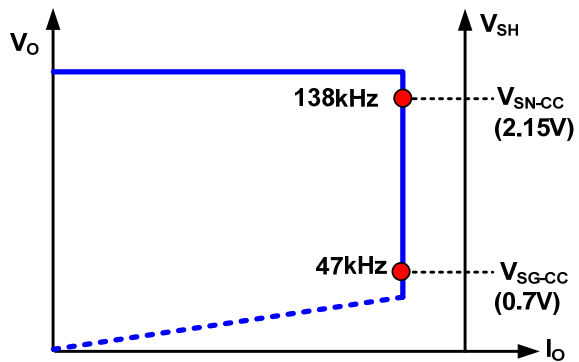


Figure 29. Frequency Reduction with  $V_{SH}$

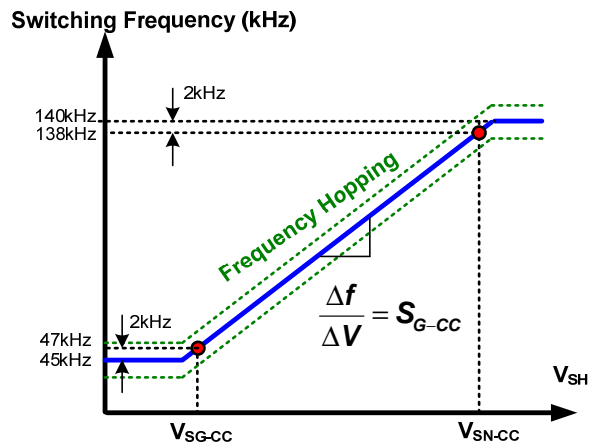


Figure 30. Frequency Reduction Curve in CC Regulation

### CCM Prevention Function

Even if the power supply is designed to operate in DCM, it can go into Continuous Conduction Mode (CCM) when there is not enough design margin to cover all the circuit parameter variations and operating conditions. FAN302UL has a CCM-prevention function that delays the next cycle turn-on of MOSFET until ZCD on the VS pin is obtained, as shown in Figure 31. To guarantee stable DCM operation, FAN302UL prohibits the turn-on of the next switching cycle for 10% of its switching period after ZCD is obtained. In Figure 31, the first switching cycle has ZCD before 90% of its original switching period and, therefore, the turn-on instant of the next cycle is determined from its original switching period without being affected by the ZCD instant. The second switching cycle does not have ZCD by the end of its original switching period. The turn-on of the third switching cycle occurs after ZCD is obtained, with a delay of 10% of its original switching period. The minimum switching frequency the CCM-prevention function allows is 22 kHz ( $f_{OSC-CM-MIN}$ ). If the ZCD is not given until the end of maximum switching period of 45.5  $\mu$ s (1/22 kHz), the converter can go into CCM operation losing output regulation.

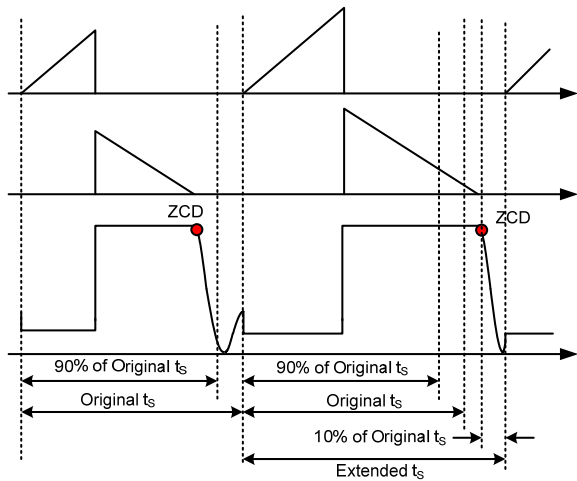


Figure 31. CCM Prevention Function

### Power-Limit Mode

When the sampled voltage of  $V_S$  ( $V_{SH}$ ) drops below  $V_{S-CM-MIN}$  (0.55 V), FAN302UL enters Constant Power Limit Mode, where the primary-side current limit voltage ( $V_{CS}$ ) changes from  $V_{STH}$  (0.7 V) to  $V_{STH-VA}$  (0.3 V) to avoid miss-operation of  $V_S$  sampling and ZCD, as shown in Figure 32. Once the  $V_S$  sampling voltage is higher than  $V_{S-CM-MAX}$  (0.75 V), the  $V_{CS}$  returns to  $V_{STH}$ . This mode prevents the power supply from going into CCM and losing output regulation when the output voltage is too low. This effectively protects the power supply when there is a fault condition in the load, such as output short or overload. This operation mode also implements soft-start by limiting the transformer current until the  $V_S$  sampling voltage reaches  $V_{S-CM-MAX}$  (0.75 V).

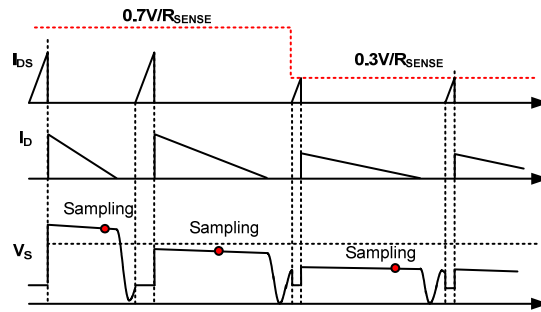


Figure 32. Power-Limit Mode Operation

### High-Voltage (HV) Startup

Figure 33 shows the high-voltage startup circuit for FAN302UL applications. Internally a JFET is used to implement the high-voltage current source, whose characteristics are shown in Figure 34. Technically, the HV pin can be directly connected to the DC link ( $V_{DL}$ ). However, to improve reliability and surge immunity, it is typical to use about 100 k $\Omega$  resistor between the HV pin and DC link. The actual HV current with given DC link voltage and startup resistor is determined by the intersection of V-I characteristics line and load line, as shown in Figure 34.

During startup, the internal startup circuit is enabled and the DC link supplies the current,  $I_{HV}$ , to charge the hold-up capacitor,  $C_{VDD}$ , through  $R_{START}$ . When the  $V_{DD}$  voltage reaches  $V_{DD-ON}$ , the internal HV startup circuit is disabled and the IC starts PWM switching. Once the HV startup circuit is disabled, the energy stored in  $C_{VDD}$  should supply the IC operating current until the transformer auxiliary winding voltage reaches the nominal value. Therefore,  $C_{VDD}$  should be designed to prevent  $V_{DD}$  from dropping to  $V_{DD-OFF}$  before the auxiliary winding builds up enough voltage to supply  $V_{DD}$ . Capacitance tolerance is an important factor to consider for CDD selection. Connecting a 22  $\mu$ F capacitor between the VDD and GND pins is recommended to ensure system stability over a wide operation temperature.

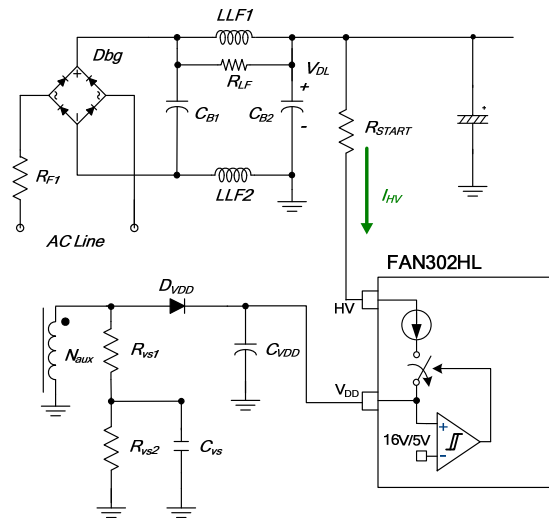


Figure 33. HV Startup Circuit

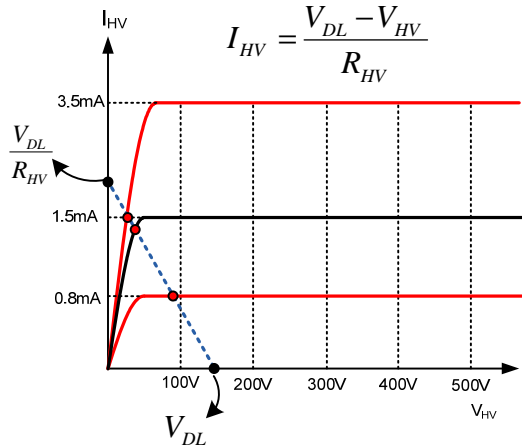


Figure 34. V-I Characteristics of HV Pin

### Frequency Hopping

EMI reduction is accomplished by frequency hopping, which spreads the energy over a wider frequency range than the bandwidth of the EMI test equipment, allowing compliance with EMI limitations. The internal frequency-hopping circuit changes the switching frequency progressively between 135 kHz and 145 kHz with a period of  $t_p$ , as shown in Figure 35.

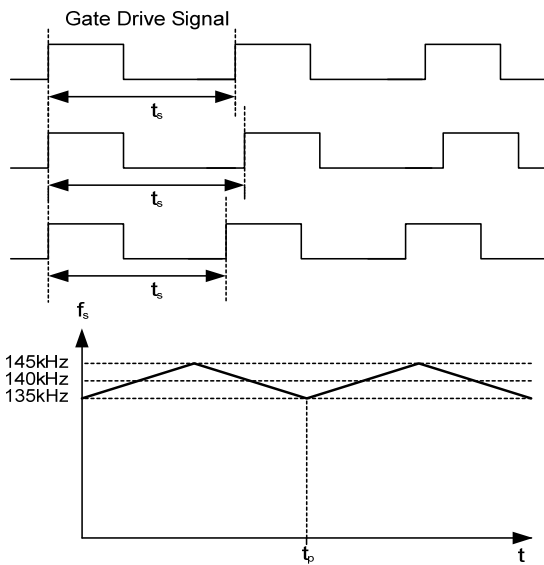


Figure 35. Frequency Hopping

### Burst-Mode Operation

The power supply enters Burst Mode at no-load or extremely light-load conditions. As shown in Figure 36, when  $V_{FB}$  drops below  $V_{FB-L}$ , the PWM output shuts off and the output voltage drops at a rate dependent on load current. This causes the feedback voltage to rise. Once  $V_{FB}$  exceeds  $V_{FB-H}$ , the internal circuit starts to provide switching pulse. The feedback voltage then falls and the process repeats. Burst Mode alternately enables and disables switching of the MOSFET, reducing the switching losses in Standby Mode. Once FAN302UL enters Burst Mode, the operating current is reduced from 3.5 mA to 200  $\mu$ A to minimize power consumption in Burst Mode.

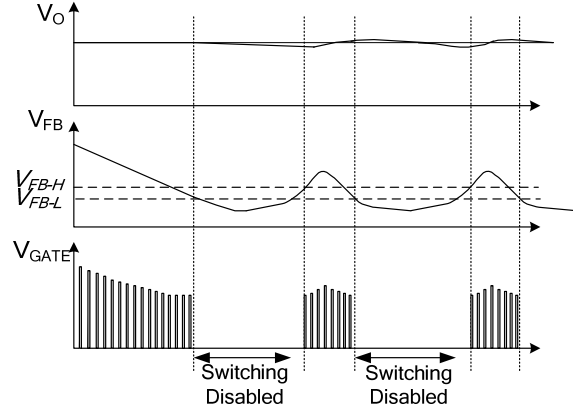


Figure 36. Burst-Mode Operation

### Slope Compensation

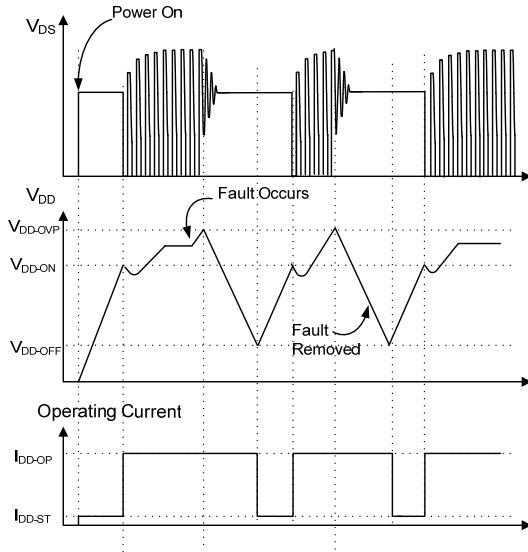
The sensed voltage across the current-sense resistor is used for current-mode control and pulse-by-pulse current limiting. A synchronized ramp signal with positive slope is added to the current-sense information at each switching cycle, improving noise immunity of current-mode control.

### Protections

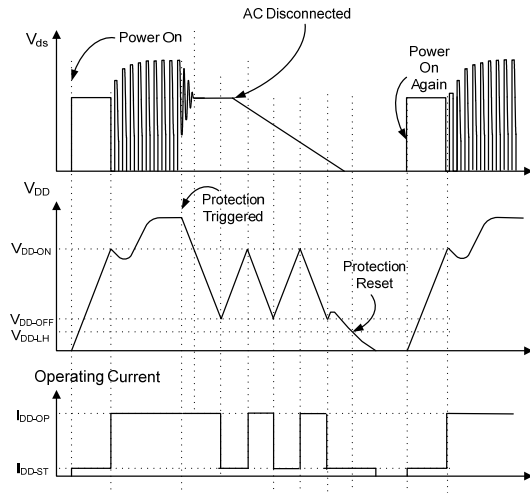
The FAN302UL self-protection functions include  $V_{DD}$  Over-Voltage Protection ( $V_{DD}$  OVP), internal Over-Temperature Protection (OTP),  $V_S$  Over-Voltage Protection ( $V_S$  OVP), and brownout protection. The  $V_{DD}$  OVP and brownout protection are implemented as Auto-Restart Mode, while the  $V_S$  OVP and internal OTP are implemented as Latch Mode.

When an Auto Restart Mode protection is triggered, switching is terminated and the MOSFET remains off, causing  $V_{DD}$  to drop. When  $V_{DD}$  drops to the  $V_{DD}$  turn-off voltage of 5 V, the protection is reset, the internal startup circuit is enabled, and the supply current drawn from the HV pin charges the hold-up capacitor. When  $V_{DD}$  reaches the turn-on voltage of 16 V, normal operation resumes. In this manner, auto restart alternately enables and disables MOSFET switching until the abnormal condition is eliminated, as shown in Figure 37.

When a Latch Mode protection is triggered, PWM switching is terminated and the MOSFET remains off, causing  $V_{DD}$  to drop. When  $V_{DD}$  drops to the  $V_{DD}$  turn-off voltage of 5 V, the internal startup circuit is enabled without resetting the protection, and the supply current drawn from HV pin charges the hold-up capacitor. Since the protection is not reset, the IC does not resume PWM switching even when  $V_{DD}$  reaches the turn-on voltage of 16 V, disabling the HV startup circuit. Then,  $V_{DD}$  drops again down to 5 V. In this manner, the Latch Mode protection alternately charges and discharges  $V_{DD}$  until there is no more energy in the DC link capacitor. The protection is reset when  $V_{DD}$  drops to 2.5 V, which is allowed only after power supply is unplugged from the AC line, as shown in Figure 38.



**Figure 37. Auto-Restart Mode Operation**



**Figure 38. Latch-Mode Operation**

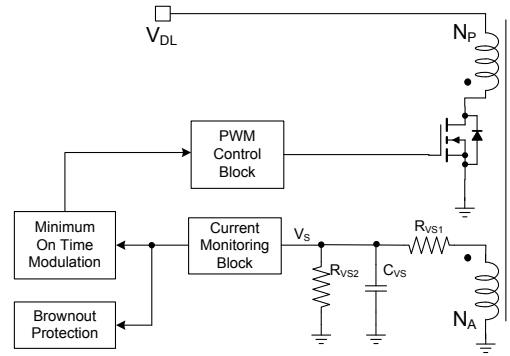
**V<sub>DD</sub> Over-Voltage Protection**

V<sub>DD</sub> over-voltage protection prevents IC damage from over-voltage exceeding the IC voltage rating. When the V<sub>DD</sub> voltage exceeds 26.5 V due to abnormal conditions, the protection is triggered. This protection is typically caused by an open circuit of the secondary-side feedback network.

**Input Voltage Sensing and Brownout Protection**

The FAN302UL indirectly senses input voltage using the VS pin current while the MOSFET is turned on. Since the VS pin voltage is clamped at 0.7 V when the MOSFET is turned on, the current flowing out of the VS pin is approximately proportional to the input voltage, as shown in Figure 38. Current flowing out of the VS pin is calculated by:

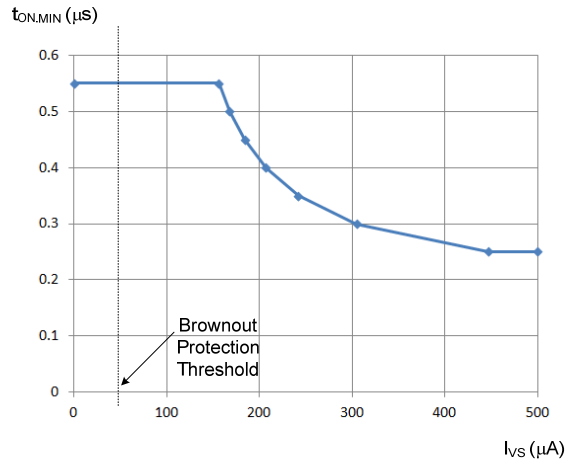
$$I_{VS.ON} = \left( \frac{N_A}{N_P} V_{DL} + 0.7 \right) \frac{1}{R_{VS1}} + \frac{0.7}{R_{VS2}} \cong \frac{N_A}{N_P} \frac{V_{DL}}{R_{VS1}} \quad (3)$$



**Figure 39. VS Pin Current Sensing**

FAN302UL modulates the minimum ON time of the MOSFET such that it reduces as input voltage increases, as shown Figure 40. This allows smaller minimum ON time for high-line condition, ensuring Burst Mode operation occurs at almost the same power level, regardless of line voltage variation. The minimum ON time is also related to the bundle frequency of Burst Mode operation.

The VS current is also used for brownout protection. When the current out of the VS pin while the MOSFET is on is smaller than 47 μA for longer than 10 ms, the brownout protection is triggered.



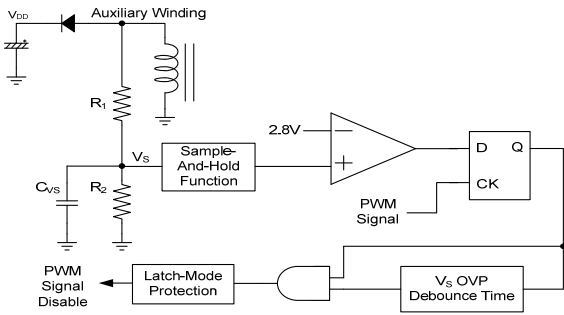
**Figure 40. Minimum On Time vs. VS Pin Current**

**Over-Temperature Protection (OTP)**

The temperature-sensing circuit shuts down PWM output if the junction temperature exceeds 140°C (t<sub>OTP</sub>).

**V<sub>S</sub> Over-Voltage Protection (OVP)**

V<sub>S</sub> over-voltage protection prevents damage due to output over-voltage conditions. Figure 41 shows the V<sub>S</sub> OVP protection method. When abnormal system conditions occur that cause V<sub>S</sub> to exceed 2.8 V, after a period of debounce time; PWM pulses are disabled and FAN302UL enters Latch Mode until V<sub>DD</sub> drops to under V<sub>DD-LH</sub>. By that time, PWM pulses revive. V<sub>S</sub> over-voltage conditions are usually caused by an open circuit of the secondary-side feedback network or abnormal behavior by the VS pin divider resistor.



**Figure 41.  $V_s$  OVP Protection**

**Leading-Edge Blanking (LEB)**

Each time the power MOSFET is switched on, a turn-on spike occurs at the sense resistor. To avoid premature termination of the switching pulse, a 150 ns leading-edge blanking time is built in. Conventional RC filtering can therefore be omitted. During this blanking period, the current-limit comparator is disabled and it cannot switch off the gate driver.

**Noise Immunity**

Noise from the current sense or the control signal can cause significant pulse-width jitter. While slope compensation helps alleviate these problems, further precautions should still be taken. Good placement and layout practices should be followed. Avoid long PCB traces and component leads and, locate bypass filter components near the PWM IC.



## Typical Application Circuit (Flyback Charger)

Application	Fairchild Device	Input Voltage Range	Output
Cell Phone Charger	FAN302UL	90~265 V <sub>AC</sub>	5 V/1.2 A (6 W)

### Features

- Ultra-Low Standby Power Consumption: <20 mW at 264 V<sub>AC</sub> (Pin=6.3 mW for 115 V<sub>AC</sub> and Pin=7.3 mW for 230 V<sub>AC</sub>)
- Output Regulation: CV:±5%, CC:±15%

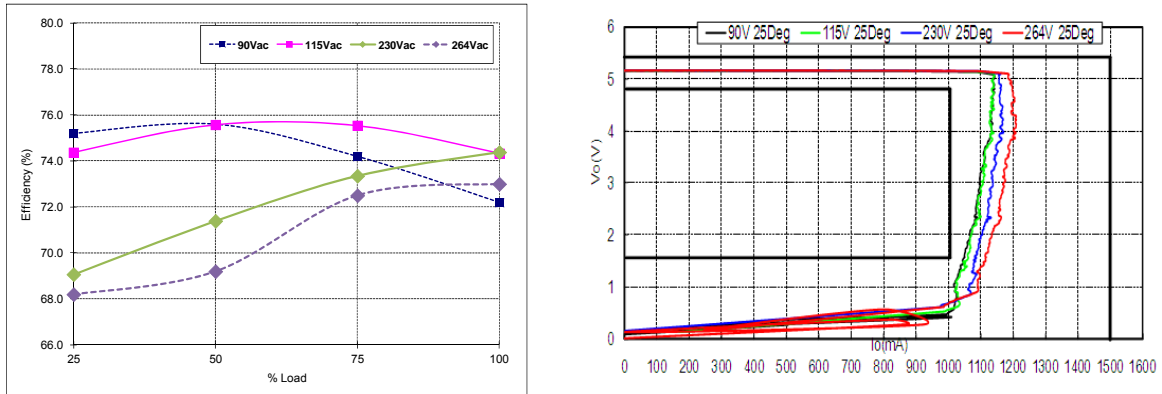


Figure 42. Measured Efficiency and Output Regulation

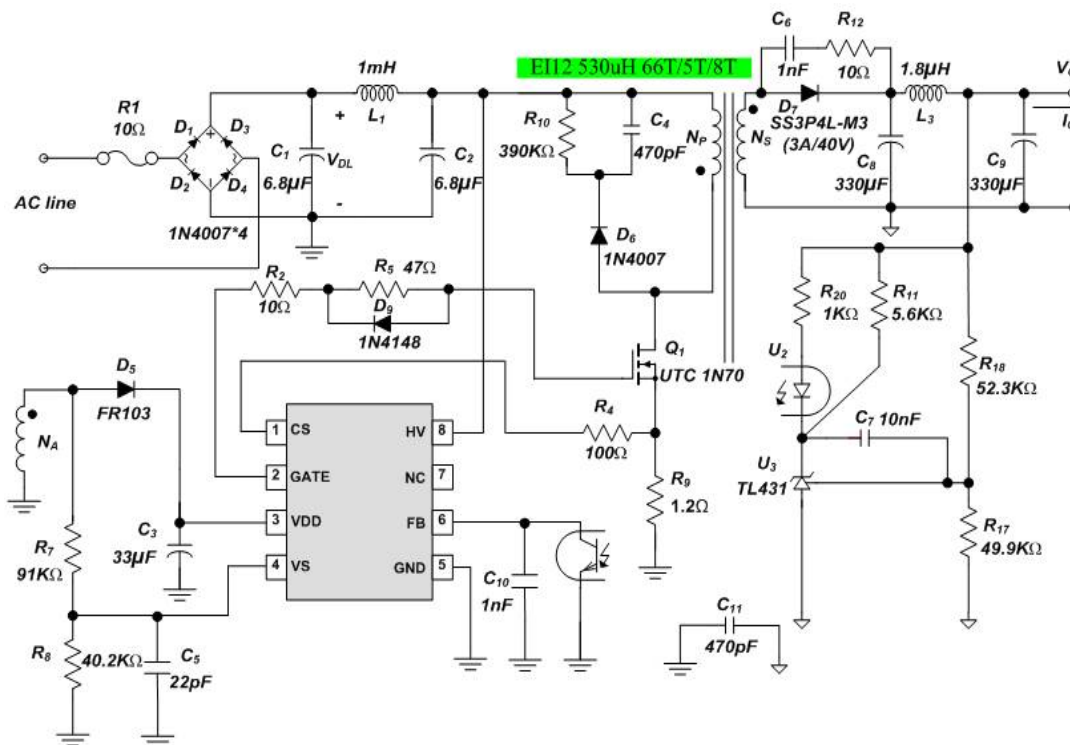


Figure 43. Schematic of Typical Application Circuit

## Typical Application Circuit (Continued)

### Transformer Specification

- Core: EI12.5
- Bobbin: EI12.5

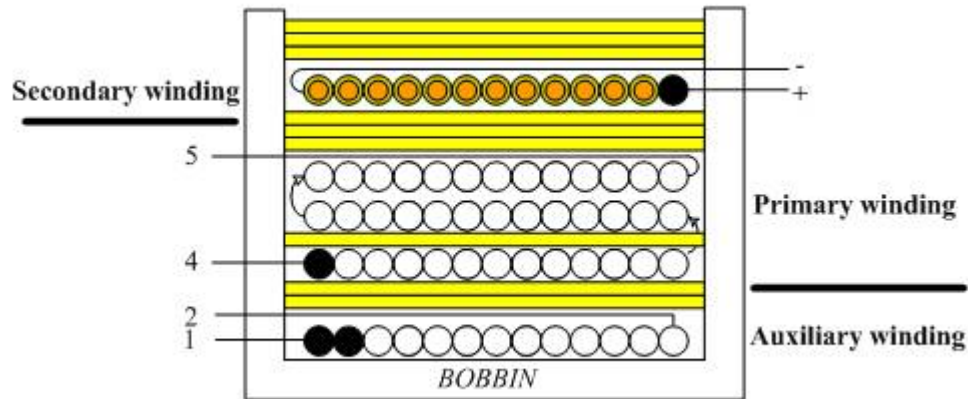


Figure 44. Transformer

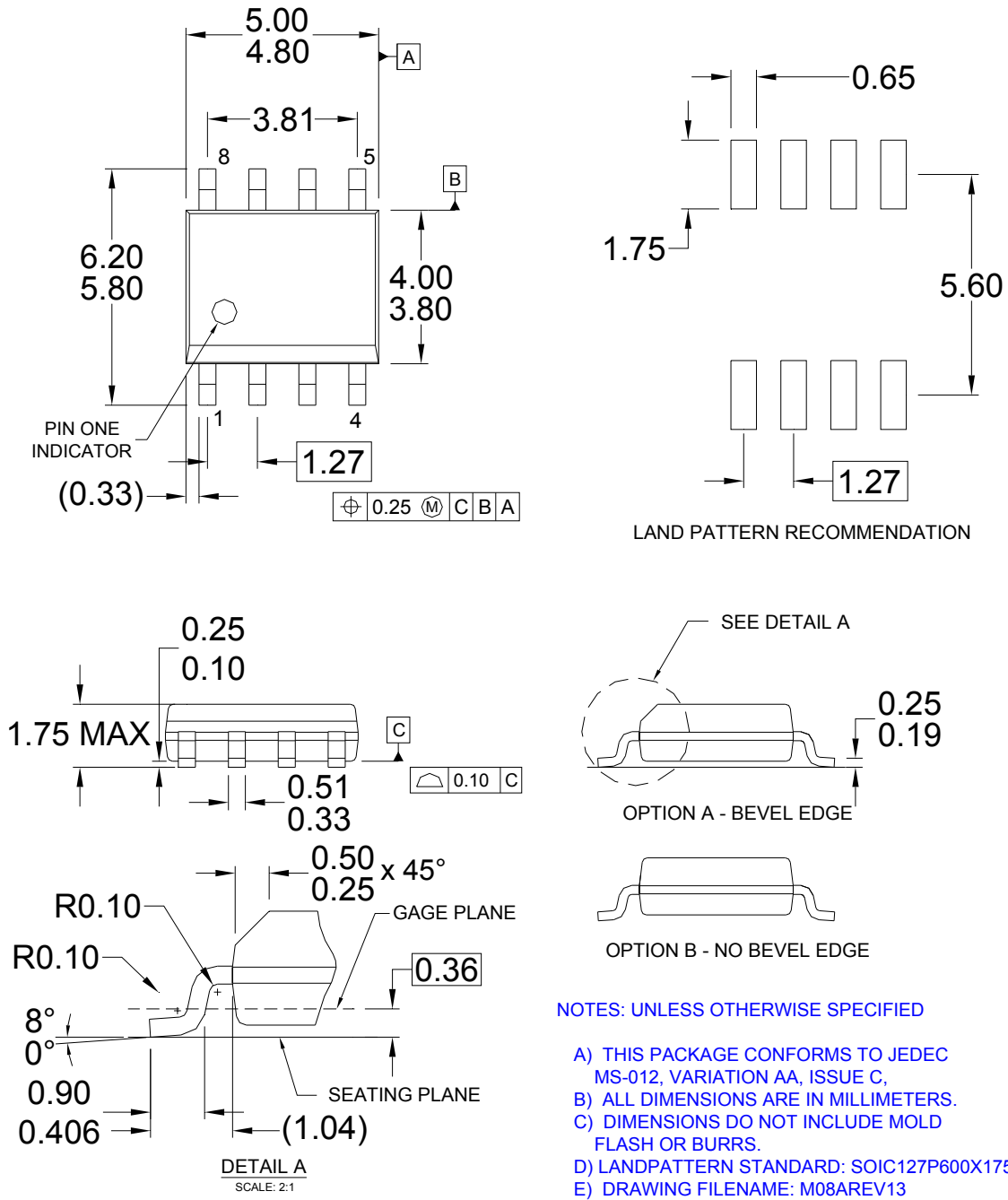
- W1 is space winding in one layer.
- W2 consists of three layers with different numbers of turns. The number of turns of each layer is specified in Table 1.
- W3 consists of two layers with triple-insulated wire. The leads of positive and negative fly lines are 3.5cm and 2.5cm, respectively.

Table 1. Transformer Winding Specifications

No.	Terminal		Wire	Turns	Insulation
	Start Pin	End Pin			Turns
W1	1	2	2UEW 0.15*2	8	2
W2	4	5	2UEW 0.12*1	22	0
				22	1
				22	3
W3	Fly+	Fly-	TEX-E 0.4*1	5	3

	Pin	Specifications	Remark
Primary-Side Inductance	4 – 5	530 $\mu$ H $\pm$ 7%	100 kHz, 1 V
Primary-Side Effective Leakage Inductance	4 – 5	52 $\mu$ H $\pm$ 5%	Short One of the Secondary Windings

### Physical Dimensions



**Figure 45. 8-Lead, Small Outline Integrated Circuit (SOIC), JEDEC MS-012, .150-Inch, Narrow Body**

Package drawings are provided as a service to customers considering Fairchild components. Drawings may change in any manner without notice. Please note the revision and/or date on the drawing and contact a Fairchild Semiconductor representative to verify or obtain the most recent revision. Package specifications do not expand the terms of Fairchild's worldwide terms and conditions, specifically the warranty therein, which covers Fairchild products.

Always visit Fairchild Semiconductor's online packaging area for the most recent package drawings:  
<http://www.fairchildsemi.com/packaging/>.


**TRADEMARKS**

The following includes registered and unregistered trademarks and service marks, owned by Fairchild Semiconductor and/or its global subsidiaries, and is not intended to be an exhaustive list of all such trademarks.

2Cool™	FPS™		Sync-Lock™
AccuPower™	F-PFS™	PowerTrench®	
AX-CAP®	FRFET®	PowerXS™	TinyBoost™
BitSiC™	Global Power Resource™	Programmable Active Droop™	TinyBuck™
Build it Now™	GreenBridge™	QFET®	TinyCalc™
CorePLUS™	Green FPS™	QS™	TinyLogic®
CorePOWER™	Green FPS™ e-Series™	Quiet Series™	TINYOPTO™
CROSSVOLT™	Gmax™	RapidConfigure™	TinyPower™
CTL™	GTO™		TinyPWM™
Current Transfer Logic™	IntelliMAX™	Saving our world, 1mW/WkW at a time™	TinyWire™
DEUXPEED®	ISOPLANAR™	SignalWise™	TransiC™
Dual Cool™	Making Small Speakers Sound Louder and Better™	SmartMax™	TriFault Detect™
EcoSPARK®	MegaBuck™	SMART START™	TRUECURRENT®
EfficientMax™	MICROCOUPLER™	Solutions for Your Success™	µSerDes™
ESBC™	MicroFET™	SPM®	
	MicroPak™	STEALTH™	UHC®
Fairchild®	MicroPak2™	SuperFET®	Ultra FRFET™
Fairchild Semiconductor®	MillerDrive™	SuperSOT™-3	UniFET™
FACT Quiet Series™	MotionMax™	SuperSOT™-6	VCX™
FACT®	mWSaver™	SuperSOT™-8	VisualMax™
FAST®	OptoHiT™	SupreMOS®	VoltagePlus™
FastvCore™	OPTOLOGIC®	SyncFET™	XS™
FETBench™	OPTOPLANAR®		

\* Trademarks of System General Corporation, used under license by Fairchild Semiconductor.

**DISCLAIMER**

FAIRCHILD SEMICONDUCTOR RESERVES THE RIGHT TO MAKE CHANGES WITHOUT FURTHER NOTICE TO ANY PRODUCTS HEREIN TO IMPROVE RELIABILITY, FUNCTION, OR DESIGN. FAIRCHILD DOES NOT ASSUME ANY LIABILITY ARISING OUT OF THE APPLICATION OR USE OF ANY PRODUCT OR CIRCUIT DESCRIBED HEREIN, NEITHER DOES IT CONVEY ANY LICENSE UNDER ITS PATENT RIGHTS, NOR THE RIGHTS OF OTHERS. THESE SPECIFICATIONS DO NOT EXPAND THE TERMS OF FAIRCHILD'S WORLDWIDE TERMS AND CONDITIONS, SPECIFICALLY THE WARRANTY THEREIN, WHICH COVERS THESE PRODUCTS.

**LIFE SUPPORT POLICY**

FAIRCHILD'S PRODUCTS ARE NOT AUTHORIZED FOR USE AS CRITICAL COMPONENTS IN LIFE SUPPORT DEVICES OR SYSTEMS WITHOUT THE EXPRESS WRITTEN APPROVAL OF FAIRCHILD SEMICONDUCTOR CORPORATION.

As used herein:

- Life support devices or systems are devices or systems which, (a) are intended for surgical implant into the body or (b) support or sustain life, and (c) whose failure to perform when properly used in accordance with instructions for use provided in the labeling, can be reasonably expected to result in a significant injury of the user.
- A critical component in any component of a life support, device, or system whose failure to perform can be reasonably expected to cause the failure of the life support device or system, or to affect its safety or effectiveness.

**ANTI-COUNTERFEITING POLICY**


Fairchild Semiconductor Corporation's Anti-Counterfeiting Policy. Fairchild's Anti-Counterfeiting Policy is also stated on our external website, [www.fairchildsemi.com](http://www.fairchildsemi.com), under Sales Support.

Counterfeiting of semiconductor parts is a growing problem in the industry. All manufacturers of semiconductor products are experiencing counterfeiting of their parts. Customers who inadvertently purchase counterfeit parts experience many problems such as loss of brand reputation, substandard performance, failed applications, and increased cost of production and manufacturing delays. Fairchild is taking strong measures to protect ourselves and our customers from the proliferation of counterfeit parts. Fairchild strongly encourages customers to purchase Fairchild parts either directly from Fairchild or from Authorized Fairchild Distributors who are listed by country on our web page cited above. Products customers buy either from Fairchild directly or from Authorized Fairchild Distributors are genuine parts, have full traceability, meet Fairchild's quality standards for handling and storage and provide access to Fairchild's full range of up-to-date technical and product information. Fairchild and our Authorized Distributors will stand behind all warranties and will appropriately address any warranty issues that may arise. Fairchild will not provide any warranty coverage or other assistance for parts bought from Unauthorized Sources. Fairchild is committed to combat this global problem and encourage our customers to do their part in stopping this practice by buying direct or from authorized distributors.

**PRODUCT STATUS DEFINITIONS**
**Definition of Terms**

Datasheet Identification	Product Status	Definition
Advance Information	Formative / In Design	Datasheet contains the design specifications for product development. Specifications may change in any manner without notice.
Preliminary	First Production	Datasheet contains preliminary data; supplementary data will be published at a later date. Fairchild Semiconductor reserves the right to make changes at any time without notice to improve design.
No Identification Needed	Full Production	Datasheet contains final specifications. Fairchild Semiconductor reserves the right to make changes at any time without notice to improve the design.
Obsolete	Not In Production	Datasheet contains specifications on a product that is discontinued by Fairchild Semiconductor. The datasheet is for reference information only.

Rev. I64

ON Semiconductor and  are trademarks of Semiconductor Components Industries, LLC dba ON Semiconductor or its subsidiaries in the United States and/or other countries. ON Semiconductor owns the rights to a number of patents, trademarks, copyrights, trade secrets, and other intellectual property. A listing of ON Semiconductor's product/patent coverage may be accessed at [www.onsemi.com/site/pdf/Patent-Marking.pdf](http://www.onsemi.com/site/pdf/Patent-Marking.pdf). ON Semiconductor reserves the right to make changes without further notice to any products herein. ON Semiconductor makes no warranty, representation or guarantee regarding the suitability of its products for any particular purpose, nor does ON Semiconductor assume any liability arising out of the application or use of any product or circuit, and specifically disclaims any and all liability, including without limitation special, consequential or incidental damages. Buyer is responsible for its products and applications using ON Semiconductor products, including compliance with all laws, regulations and safety requirements or standards, regardless of any support or applications information provided by ON Semiconductor. "Typical" parameters which may be provided in ON Semiconductor data sheets and/or specifications can and do vary in different applications and actual performance may vary over time. All operating parameters, including "Typicals" must be validated for each customer application by customer's technical experts. ON Semiconductor does not convey any license under its patent rights nor the rights of others. ON Semiconductor products are not designed, intended, or authorized for use as a critical component in life support systems or any FDA Class 3 medical devices or medical devices with a same or similar classification in a foreign jurisdiction or any devices intended for implantation in the human body. Should Buyer purchase or use ON Semiconductor products for any such unintended or unauthorized application, Buyer shall indemnify and hold ON Semiconductor and its officers, employees, subsidiaries, affiliates, and distributors harmless against all claims, costs, damages, and expenses, and reasonable attorney fees arising out of, directly or indirectly, any claim of personal injury or death associated with such unintended or unauthorized use, even if such claim alleges that ON Semiconductor was negligent regarding the design or manufacture of the part. ON Semiconductor is an Equal Opportunity/Affirmative Action Employer. This literature is subject to all applicable copyright laws and is not for resale in any manner.

## PUBLICATION ORDERING INFORMATION

### LITERATURE FULFILLMENT:

Literature Distribution Center for ON Semiconductor  
19521 E. 32nd Pkwy, Aurora, Colorado 80011 USA  
**Phone:** 303-675-2175 or 800-344-3860 Toll Free USA/Canada  
**Fax:** 303-675-2176 or 800-344-3867 Toll Free USA/Canada  
**Email:** [orderlit@onsemi.com](mailto:orderlit@onsemi.com)

**N. American Technical Support:** 800-282-9855 Toll Free  
USA/Canada  
**Europe, Middle East and Africa Technical Support:**  
Phone: 421 33 790 2910  
**Japan Customer Focus Center**  
Phone: 81-3-5817-1050

**ON Semiconductor Website:** [www.onsemi.com](http://www.onsemi.com)  
**Order Literature:** <http://www.onsemi.com/orderlit>  
For additional information, please contact your local  
Sales Representative