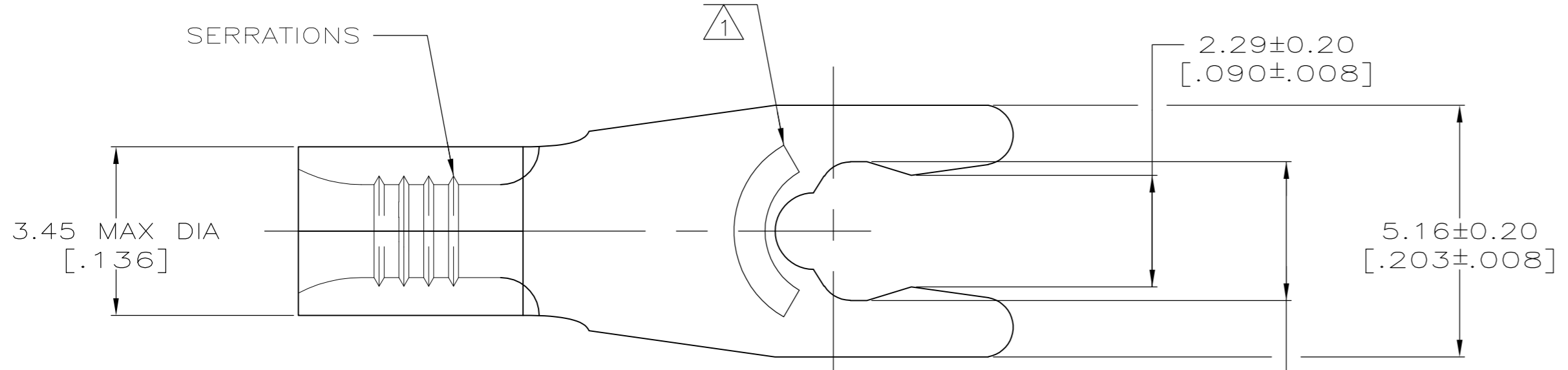


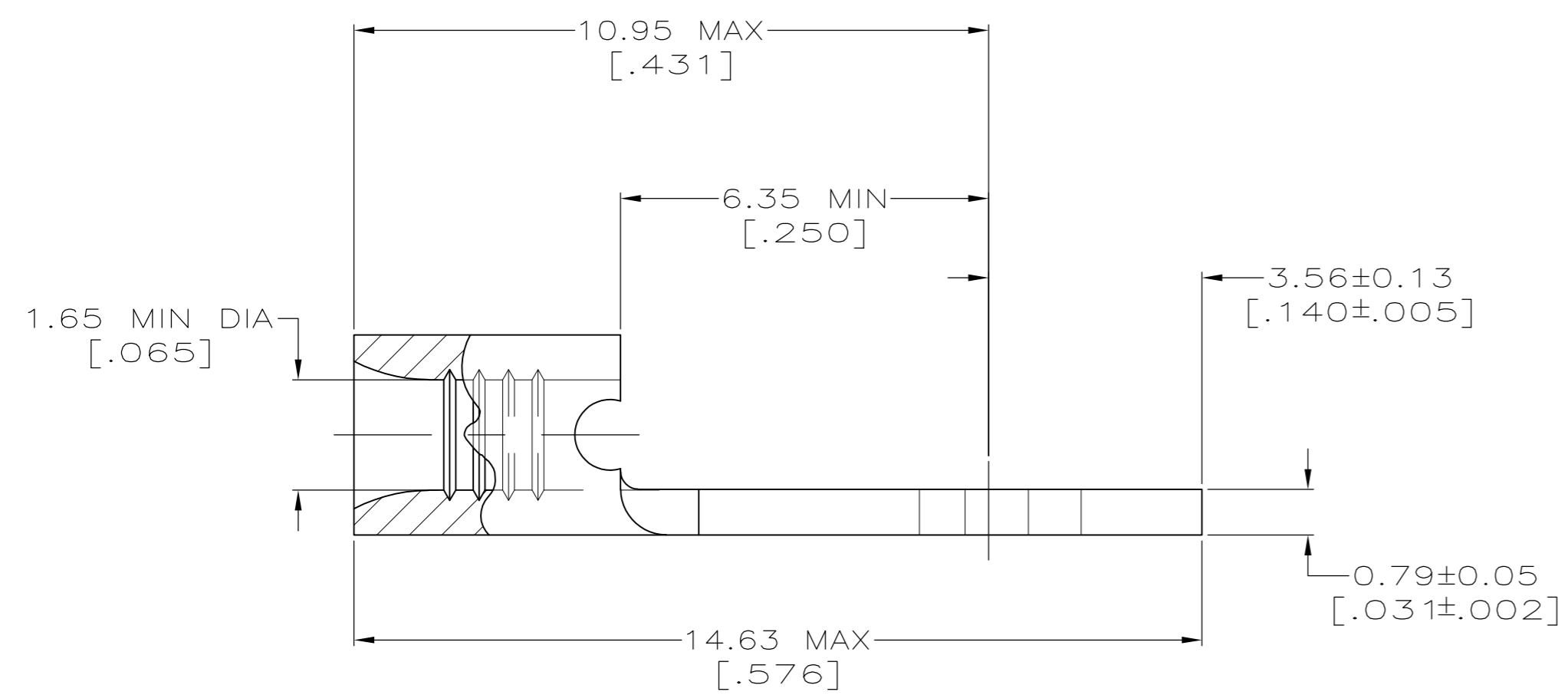
THIS DRAWING IS UNPUBLISHED. RELEASED FOR PUBLICATION
 © COPYRIGHT BY TYCO ELECTRONICS CORPORATION. ALL INTERNATIONAL RIGHTS RESERVED.

| LOC | DIST | REVISIONS | | | |
|-----|------|-------------|---------------------------|---------|-------|
| P | LTR | DESCRIPTION | DATE | DWN | APVD |
| G | 14 | B1 | REDRAWN PER ECR 10-006147 | 23MAR10 | JR TM |



| | | |
|--------------------------|-----------------------|---------------------|
| AMP WIRE RANGE | Listed FILE E13288 | LR7189 Certified |
| 22-16 AWG STRANDED | 22-16 AWG STRANDED | NOT CERTIFIED |

- ① STAMP 4S AMP 22-18* APPROX AS SHOWN
22-16 TERMINALS ARE STAMPED 22-18 IN
ACCORDANCE WITH MILITARY SPEC SAE-AS7928
COMMERCIAL WIRE RANGE IS 22-16
4S INDICATES STUD SIZE
- ② PHOS BRONZE PER ASTM B103, ANNEALED
- ③ TIN PLATE 0.00254 [.000100] MIN THK PER
ASTM B545



53150-2
PART NO.

| | | | | | | | | | |
|--|--|---|--|---|--|---|--|---|--|
| CUSTOMER SERVICE SYSTEMS | | MAX RECOMMENDED OPERATING TEMPERATURE: 170°C MAX | | THIS DRAWING IS A CONTROLLED DOCUMENT. | | DWN TA BRINKMAN 2-11-93 | | Tyco Electronics Corporation Harrisburg, PA 17105-3608 | |
| FOR ADDITIONAL PRODUCT INFORMATION OR COPIES OF DRAWINGS AND TECHNICAL DOCUMENTS | | PRODUCT INFORMATION CENTER 1-800-522-6752 | | DIMENSIONS: mm [INCHES] | | TOLERANCES UNLESS OTHERWISE SPECIFIED: | | NAME JL MECKLEY | |
| FOR APPLICATION | | TOOLING ASSISTANCE CENTER 1-800-722-1111 | | VOLTAGE RATING: N/A | | 0 PLC ± - 1 PLC ± - 2 PLC ± - 3 PLC ± - 4 PLC ± - ANGLES ± - | | TERMINAL, SHORT SPRING SPADE, BUDGET 22-16 | |
| TOOLING INFORMATION | | 1-800-722-1111 | | CIRCULAR MIL AREA: 0.26-1.65mm² [509-3260] STRANDED | | MATERIAL - ② | | FINISH - ③ | |
| FOR ORDER ENTRY | | 1-800-526-5142 | | THIS DRAWING IS A CONTROLLED DOCUMENT FOR AMP INCORPORATED. IT IS SUBJECT TO CHANGE AND THE CONTROLLING ENGINEERING ORGANIZATION SHOULD BE CONTACTED FOR THE LATEST REVISION. | | APVD JL MECKLEY 2-11-93 | | SIZE A2 CAGE CODE 00779 DRAWING NO C=53150 | |
| | | | | | | CUSTOMER DRAWING | | RESTRICTED TO - | |
| | | | | | | SCALE 10:1 | | SHEET 1 of 1 REV B1 | |

53150