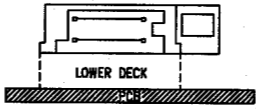
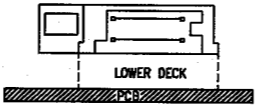
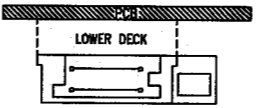
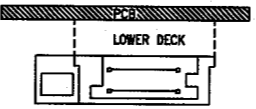


PRODUCT NO.
92711

REVISIONS				
REV	DESCRIPTION	ECN	BY	DATE
A	RELEASED	J30108	N.T	4/8/93
B	REVISED	J40349	M.K	1/24/95
C	REVISED	V60956	M.K	7/29/96
D	REVISED	N90076	M.K	7/22/99
E	REVISED	V04-0820	M.H	8/16/04
F	REVISED	J05-0367	M.H	6/17/05

PRODUCT NO. *92711-XXXX	DIM "Q" (mm)	STAND OFF MATCHING (DIM "M" mm)	DIM "N" (mm)	MECH ASSY 92192-XXXX	HDR ASSY 92140-XXX	HDR COLOR	SHEET NO.	MOUNT STYLE TO PCB & DIRECTION OF PUSH ROD
000CA	8.6	0	13	00CA	005	BLACK	NO.2	
000CALF	8.6	0	13	00CA	005LF	BLACK		
000FA	8.6	0	21	00FA	005	BLACK		
000FALF	8.6	0	21	00FA	005LF	BLACK		
020CA	10.3	2	13	00CA	045	BLACK		
020CALF	10.3	2	13	00CA	045LF	BLACK		
100CA	8.6	0	13	10CA	005	BLACK	NO.3	
100CALF	8.6	0	13	10CA	005LF	BLACK		
120CA	10.3	2	13	10CA	045	BLACK		
120CALF	10.3	2	13	10CA	045LF	BLACK		
120FA	10.3	2	21	10FA	045	BLACK		
120FALF	10.3	2	21	10FA	045LF	BLACK		
500CA	8.6	0	13	10CA	505	NATURAL	NO.4	
500CALF	8.6	0	13	10CA	505LF	NATURAL		
520CA	10.3	2	13	10CA	545	NATURAL		
520CALF	10.3	2	13	10CA	545LF	NATURAL		
600CA	8.6	0	13	00CA	505	NATURAL	NO.5	
600CALF	8.6	0	13	00CA	505LF	NATURAL		
600FA	8.6	0	21	00FA	505	NATURAL		
600FALF	8.6	0	21	00FA	505LF	NATURAL		
620CA	10.3	2	13	00CA	545	NATURAL		
620CALF	10.3	2	13	00CA	545LF	NATURAL		

* 92711-X X X X X XX

- LEAD FREE OPTION
- PUSH ROD COLOR
- PUSH ROD LENGTH (DIM "N")
- HDR SOLDER TAIL
- STAND OFF MATCHING
- MOUNT STYLE TO PCB & DIRECTION OF PUSH ROD

- NONE : NO
- LF : YES (SEE NOTE1)
- A : BLACK
- C : 13mm
- F : 21mm
- 0 : R/A
- 0 : 0mm
- 2 : 2mm
- 0 : TOP MOUNT & RIGHT PUSH ROD
- 1 : TOP MOUNT & LEFT PUSH ROD
- 5 : BOTTOM MOUNT & RIGHT PUSH ROD
- 6 : BOTTOM MOUNT & LEFT PUSH ROD

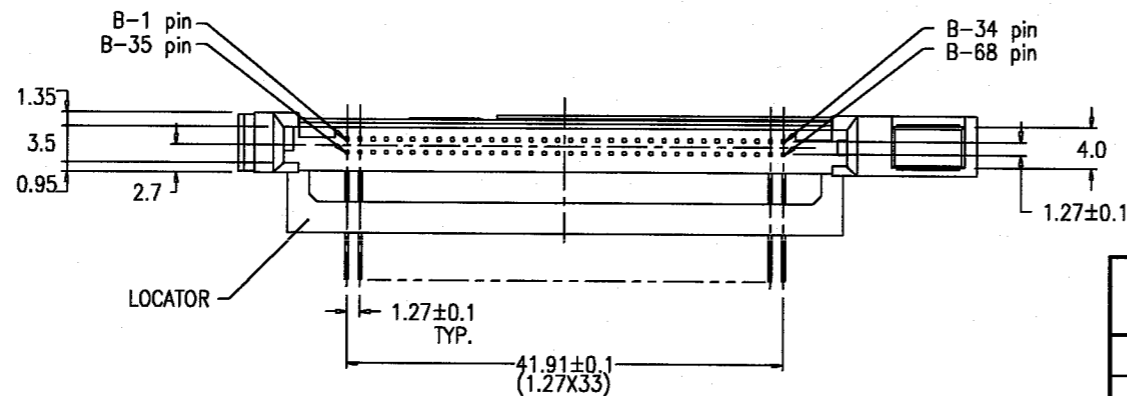
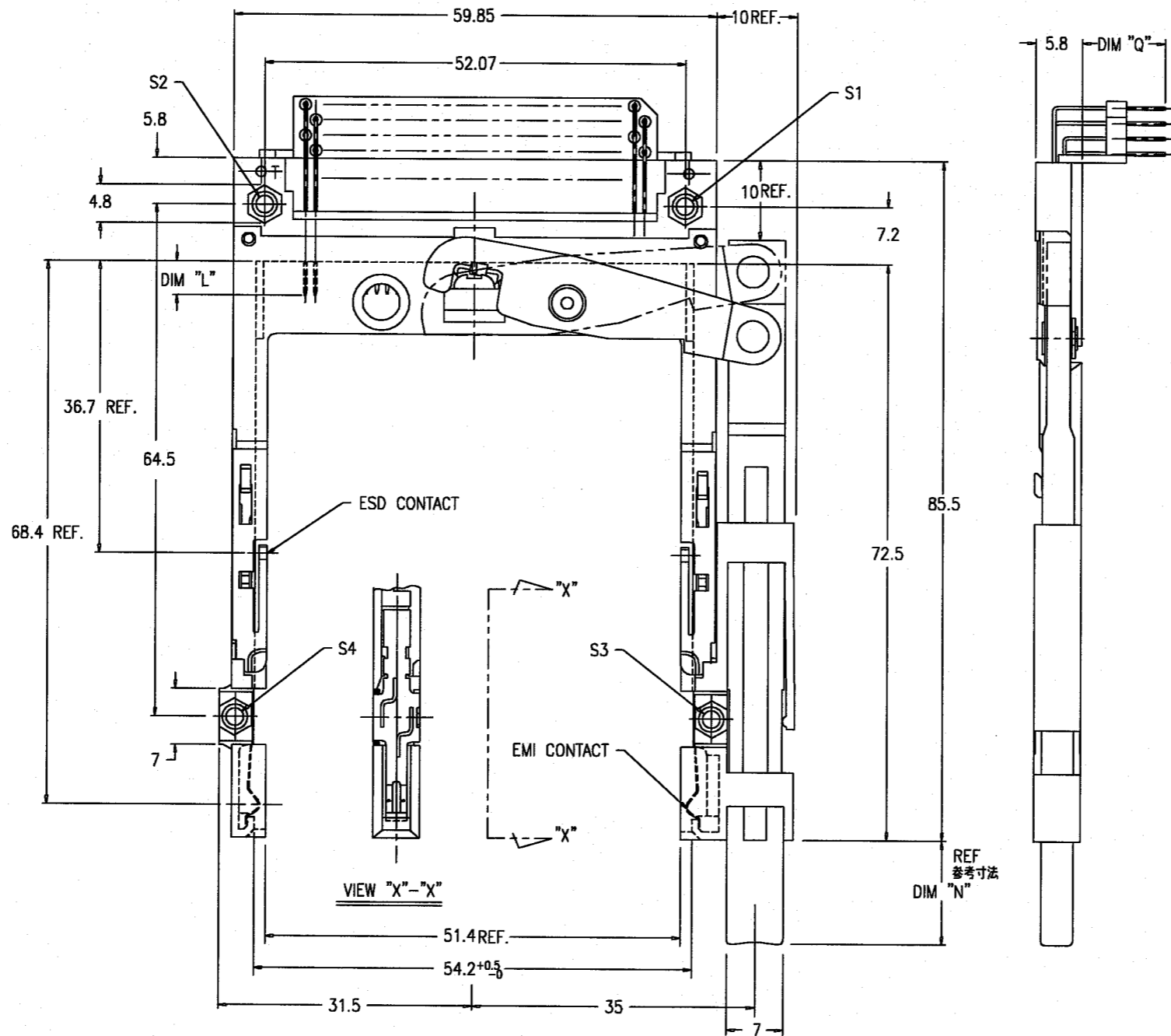
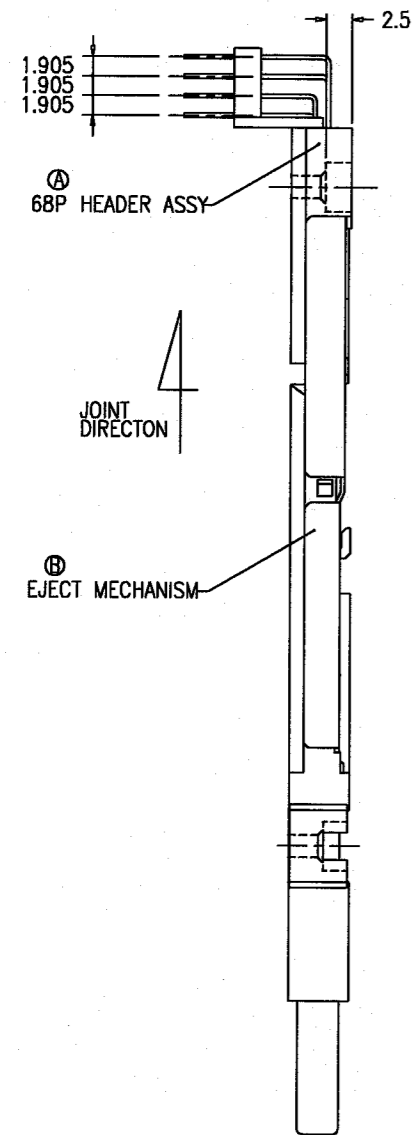
NOTE
1. THIS PRODUCT MEETS EUROPEAN UNION DIRECTIVES AND OTHER COUNTRY REGULATIONS AS DESCRIBED IN GS-22-008.

SHEET INDEX	ISSUE	F	D	D	C	D						
	SH NO.	1	2	3	4	5						
TOLERANCES UNLESS OTHERWISE SPECIFIED		MAT		DR		DATE		CUSTOMER COPY		TITLE 68P DOUBLE EJECTOR HEADER FOR TYPE I/II/III (UPPER DECK)		
		—#—		M. Kasugawa		6/17/05		ENGR				
LINEAR		FINISH		CHK		DATE		THIRD ANGLE PROJ		PRODUCT FAMILY		CODE
				M. Kasugawa		6/17/05		THIRD ANGLE PROJ		SANF Header PCMCIA		JP
ANGLES		—#—		APPD		DATE		UNIT		SCALE SIZE DWG. NO.		REV SHEET
				M. Kasugawa		6/20/05		MM INCH		—#— C 92711		F 1 of 5

FCI	
TITLE 68P DOUBLE EJECTOR HEADER FOR TYPE I/II/III (UPPER DECK)	
PRODUCT FAMILY SANF Header PCMCIA	
SCALE SIZE DWG. NO.	
—#— C 92711	
REV	SHEET
F	1 of 5

PRODUCT No.	
92711-000CA	92711-000CALF
92711-000FA	92711-000FALF
92711-020CA	92711-020CALF

REVISIONS				
REV	DESCRIPTION	ECN	BY	DATE
A	RELEASED	J30108	N.T	4/8/93
B	REVISED	J40349	M.K	1/24/95
C	REVISED	V04-0820	M.H	8/16/04
D	REVISED	J05-0367	M.H	6/17/05



NOTE

- EJECT FORCE 3.5kg MAX.
- ASSY PROCESS
TO ASSY AFTER SETTING THIS HDR ONTO APPLICABLE HDR FOR LOWER DECK.
- EJECT TRAVEL 8.0mm

④ MATERIAL

4.1 PART ④ (HEADER ASSY)

PLASTIC : HOUSING LCP UL94V-0 BLACK
 : LOCATOR G.F.6/6NYLON UL94V-0 BLACK
 PIN : PHOSPHOR BRONZE

4.2 PART ④ (EJECT MECHANISM ASSY)

PLASTIC : GUIDE POLYPHTHARAMID UL94V-0 BLACK
 : PUSH ROD POLYPHTHARAMID UL94V-0 BLACK
 PLATE : STAINLESS
 EMI CONTACT : PHOSPHOR BRONZE

⑤ -1 FINISH (PIN)

UNDER PLATING : 0.5 μm MIN.Ni
 CONTACT AREA : 0.1 μm MIN.GOLD OVER 0.5 μm MIN. Pd-Ni
 SOLDER TAIL : 2.5 μm MIN.Sn-Pb.

⑤ -2 FINISH (PIN) (FOR -****LF)

UNDER PLATING : 0.5 μm MIN.Ni
 CONTACT AREA : 0.1 μm MIN.GOLD OVER 0.5 μm MIN. Pd-Ni
 SOLDER TAIL : 2.5 μm MIN.Sn.

6. DIM "L"

4.25±0.1	3.5±0.1	5.0±0.1
OTHERS	36.67	1.17, 34 35, 51, 68

7. RECOMMENDED FOOT PRINT

THIS HDR IS THE UPPER DECK FOR 68POS.DOUBLE EJECTOR HDR TYPE I / II / III.
 REFER TO THE DRAWING P/N 92194-XXXCA.

8. GENERAL TOLERANCE : ±0.3

9. SEE SHEET 1. REGARDING COMPONENTS.

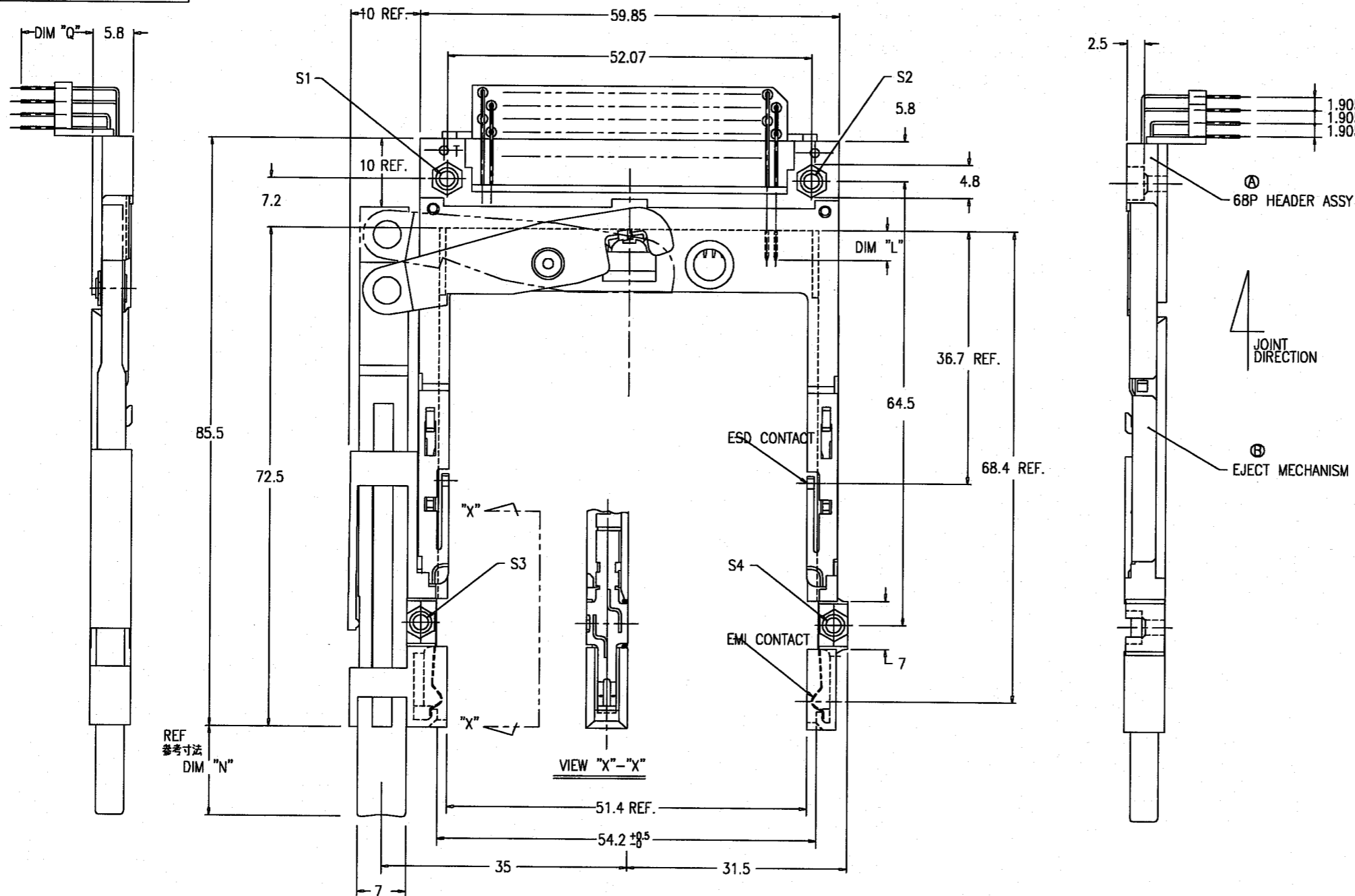
SHEET INDEX	ISSUE											
	SH NO.											
TOLERANCES UNLESS OTHERWISE SPECIFIED		MAT	DR	DATE	CUSTOMER COPY	TITLE 68P DOUBLE EJECTOR HEADER TYPE I / II / III (UPPER DECK)						
			ENG	6/17/05		PRODUCT FAMILY SANF Header PCMCIA		CODE JP				
LINEAR		FINISH	CHK	6/26/05	THIRD ANGLE PROJ	SCALE SIZE DWG. NO.		REV SHEET				
ANGLES			APPD	6/20/05	UNIT	2/1 C 92711		D 20F				

DF-003A REV F

DO NOT SCALE PRINT THIS INFORMATION IS CONFIDENTIAL AND IS DISCLOSED TO YOU ON CONDITION THAT NO FURTHER DISCLOSURE IS MADE BY YOU TO OTHER THAN FCI PERSONNEL WITHOUT WRITTEN AUTHORIZATION FROM FCI JAPAN K.K.

PRODUCT No.	
92711-100CA	92711-100CALF
92711-120CA	92711-120CALF
92711-120FA	92711-120FALF

REVISIONS				
REV	DESCRIPTION	ECN	BY	DATE
A	RELEASED	J30108	N.T	4/8/93
B	REVISED	J40349	M.K	1/24/95
C	REVISED	N90076	M.K	7/22/99
D	REVISED	J05-0367	M.H	6/17/05



NOTE

- EJECT FORCE 3.5kg MAX.
- ASSY PROCESS TO ASSY AFTER SETTING THIS HDR ONTO APPLICABLE HDR FOR LOWER DECK.
- EJECT TRAVEL 8.0mm

④ MATERIAL

4.1 PART ④ (HEADER ASSY)
 PLASTIC : HOUSING LCP UL94V-0 BLACK
 : LOCATOR G.F.6/6NYLON UL94V-0 BLACK
 PIN : PHOSPHOR BRONZE

4.2 PART ⑤ (EJECT MECHANISM ASSY)
 PLASTIC : GUIDE POLYPHTHARAMID UL94V-0 BLACK
 : PUSH ROD POLYPHTHARAMID UL94V-0 BLACK
 PLATE : STAINLESS
 EMI CONTACT : PHOSPHOR BRONZE

⑤ -1 FINISH (PIN)
 UNDER PLATING : 0.5 μm MIN.Ni
 CONTACT AREA : 0.1 μm MIN.GOLD OVER 0.5 μm MIN. Pd-Ni
 SOLDER TAIL : 2.5 μm MIN.Sn-Pb.

⑤ -2 FINISH (PIN) (FOR -****LF)
 UNDER PLATING : 0.5 μm MIN.Ni
 CONTACT AREA : 0.1 μm MIN.GOLD OVER 0.5 μm MIN. Pd-Ni
 SOLDER TAIL : 2.5 μm MIN.Sn.

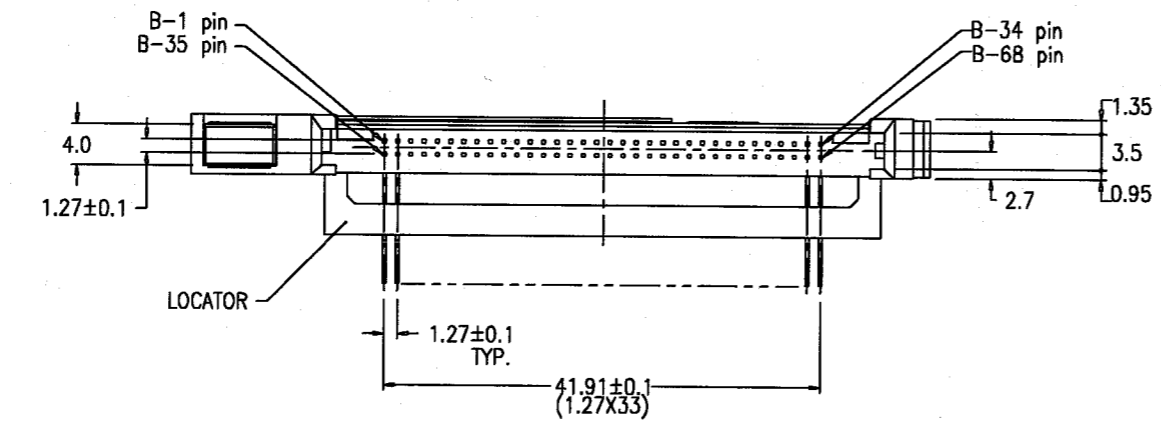
6. DIM "L"

4.25±0.1	3.5±0.1	5.0±0.1
OTHERS	36.67	35.51.68

7. RECOMMENDED FOOT PRINT
 THIS HDR IS THE UPPER DECK FOR 68POS.DOUBLE EJECTOR HDR TYPE I/II/III.
 REFER TO THE DRAWING P/N 92194-XXXCA.

8.GENERAL TOLERANCE : ±0.3

9.SEE SHEET 1. REGARDING COMPONENTS.



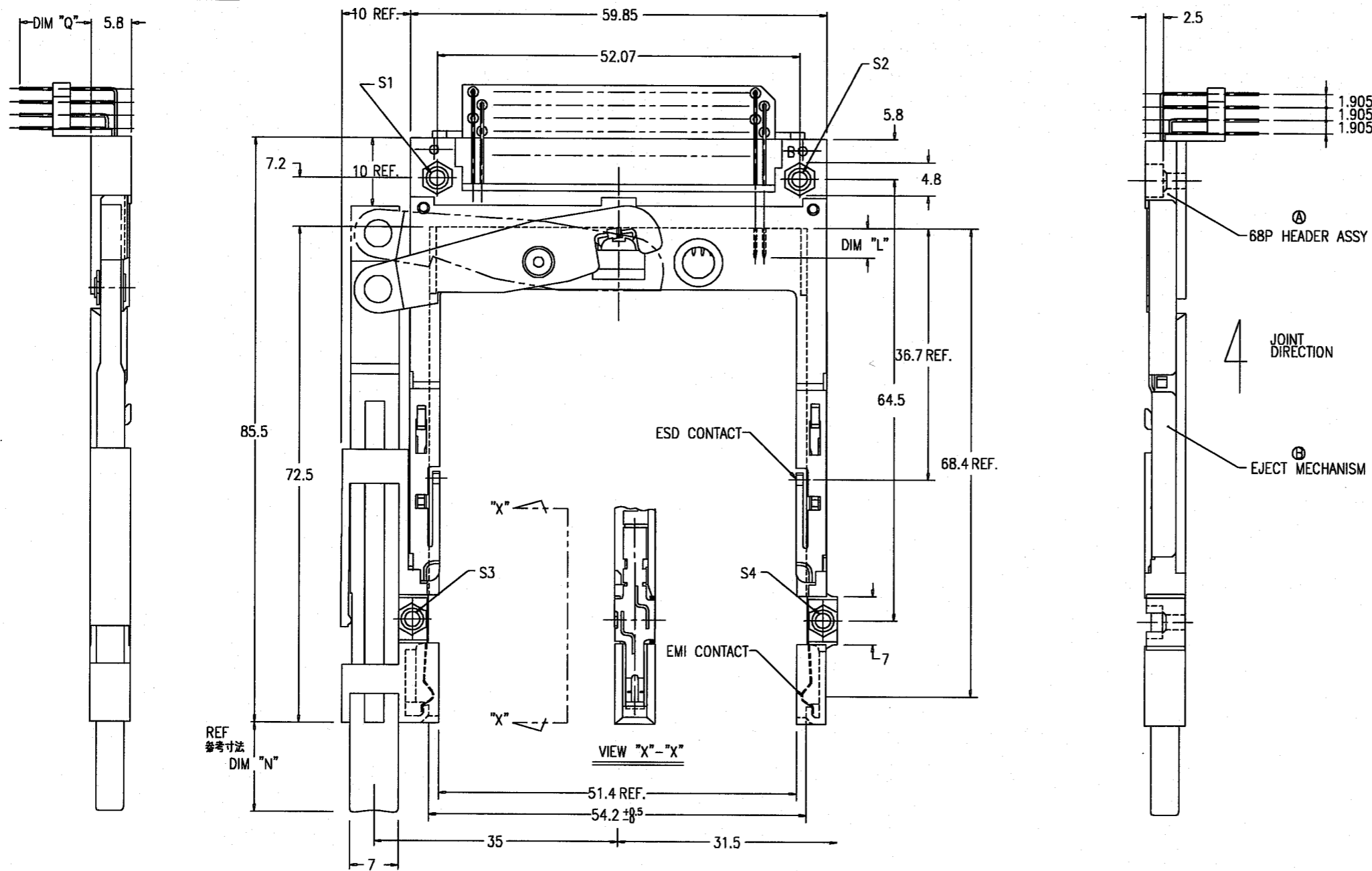
SHEET INDEX	ISSUE																				
	SH NO.																				
TOLERANCES UNLESS OTHERWISE SPECIFIED		MAT		DR		DATE		CUSTOMER COPY		TITLE		PRODUCT FAMILY		CODE		SCALE		SIZE		DWG. NO.	
SEE NOTE ④		SEE NOTE ⑤		M. Kasagawa		6/17/05		④		68P DOUBLE EJECTOR HEADER FOR TYPE I/II/III (UPPER DECK)		SANF Header PCMCIA		JP		2/1		C		92711	
LINEAR		FINISH		ENGR		6/17/05		THIRD ANGLE PROJ		SCALE		SIZE		DWG. NO.		REV		SHEET		30F	
ANGLES		SEE NOTE ⑤		CHK		6/20/05		UNIT		MM		INCH		2/1		D		30F			



DF-003A REV F
 DO NOT SCALE PRINT THIS INFORMATION IS CONFIDENTIAL AND IS DISCLOSED TO YOU ON CONDITION THAT NO FURTHER DISCLOSURE IS MADE BY YOU TO OTHER THAN FCI PERSONNEL WITHOUT WRITTEN AUTHORIZATION FROM FCI JAPAN K.K.

PRODUCT No.	
92711-500CA	92711-500CALF
92711-520CA	92711-520CALF

REVISIONS				
REV	DESCRIPTION	ECN	BY	DATE
A	RELEASED	J30108	N.T	4/8/93
B	REVISED	J40349	M.K	1/24/95
C	REVISED	J05-0367	M.H	6/17/05



NOTE

- EJECT FORCE 3.5kg MAX.
- ASSY PROCESS TO ASSY AFTER SETTING THIS HDR ONTO APPLICABLE HDR FOR LOWER DECK.
- EJECT TRAVEL 8.0mm

④ MATERIAL

- PART ④ (HEADER ASSY)
 - PLASTIC : HOUSING LCP UL94V-0 NATURAL
 - : LOCATOR G.F.6/6NYLON UL94V-0 BLACK
 - PIN : PHOSPHOR BRONZE
- PART ⑤ (EJECT MECHANISM ASSY)
 - PLASTIC : GUIDE POLYPHTHARAMID UL94V-0 BLACK
 - : PUSH ROD POLYPHTHARAMID UL94V-0 BLACK
 - PLATE : STAINLESS
 - EMI CONTACT : PHOSPHOR BRONZE

⑤ -1 FINISH (PIN)

- UNDER PLATING : 0.5 μm MIN.Ni
- CONTACT AREA : 0.1 μm MIN.GOLD OVER 0.5 μm MIN. Pd-Ni
- SOLDER TAIL : 2.5 μm MIN.Sn-Pb.

⑤ -2 FINISH (PIN) (FOR -****LF)

- UNDER PLATING : 0.5 μm MIN.Ni
- CONTACT AREA : 0.1 μm MIN.GOLD OVER 0.5 μm MIN. Pd-Ni
- SOLDER TAIL : 2.5 μm MIN.Sn.

6. DIM "L"

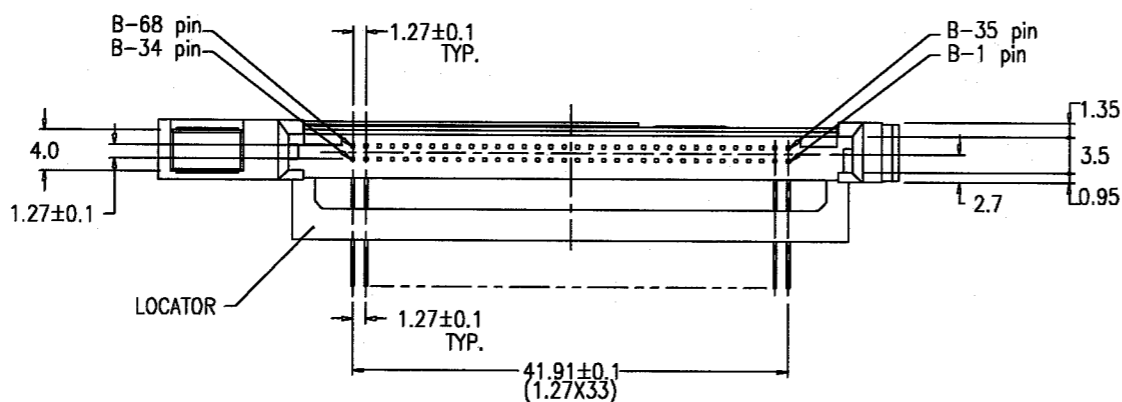
4.25±0.1	3.5±0.1	5.0±0.1
OTHERS	36.67	1.17, 34, 38.51, 68

7. RECOMMENDED FOOT PRINT

THIS HDR IS THE UPPER DECK FOR 68POS.DOUBLE EJECTOR HDR TYPE I / II / III. REFER TO THE DRAWING P/N 92194-XXXCA.

8.GENERAL TOLERANCE : ±0.3

9.SEE SHEET 1. REGARDING COMPONENTS.



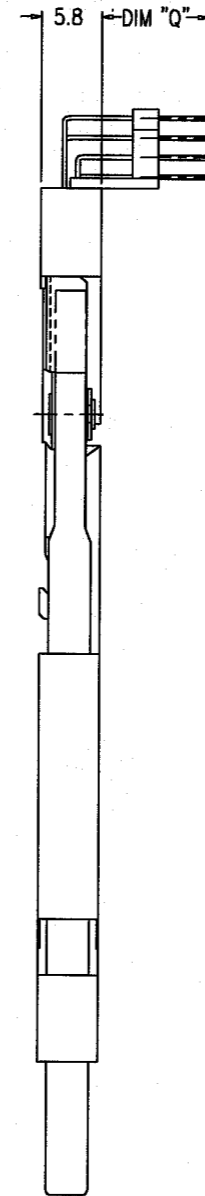
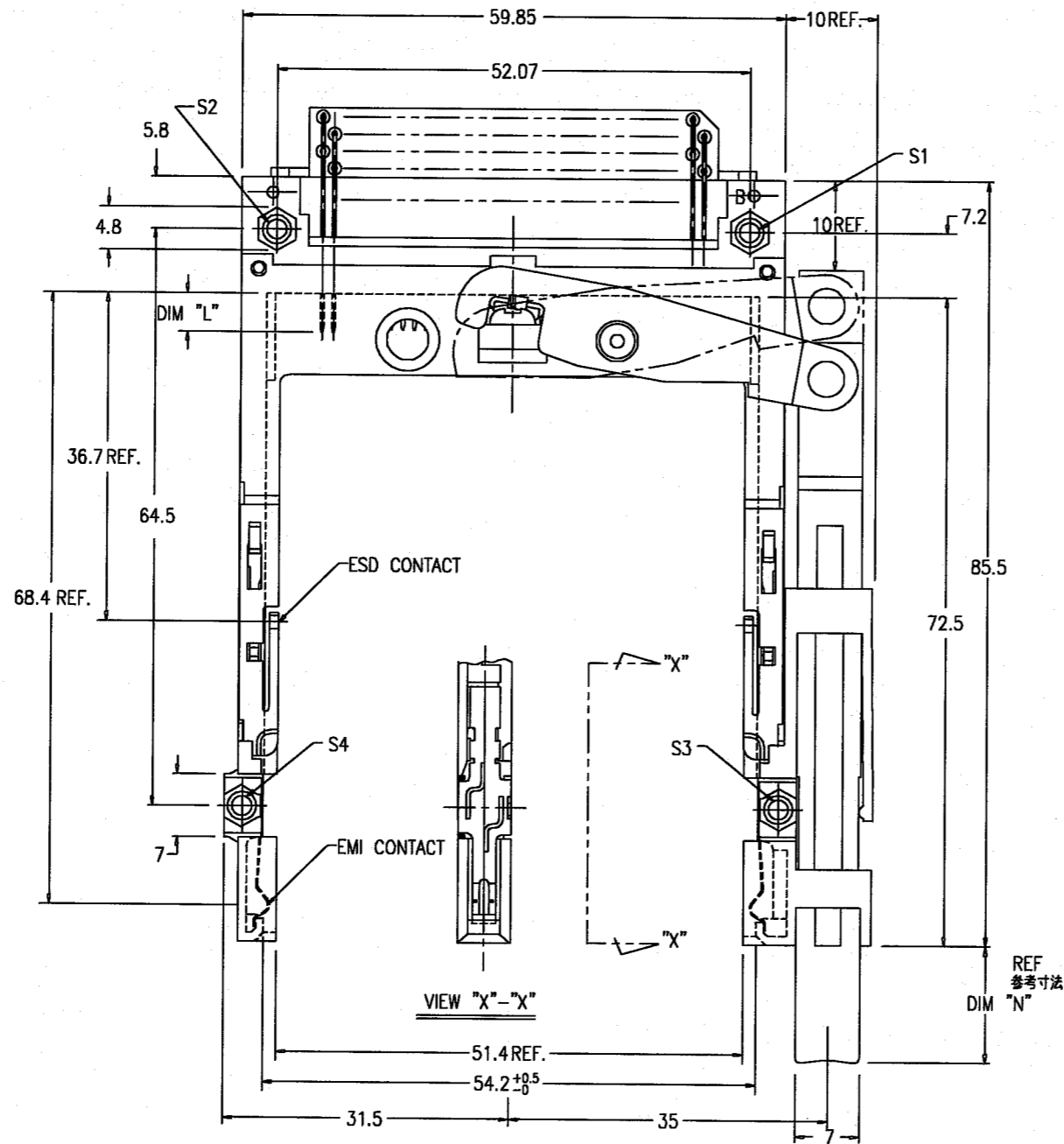
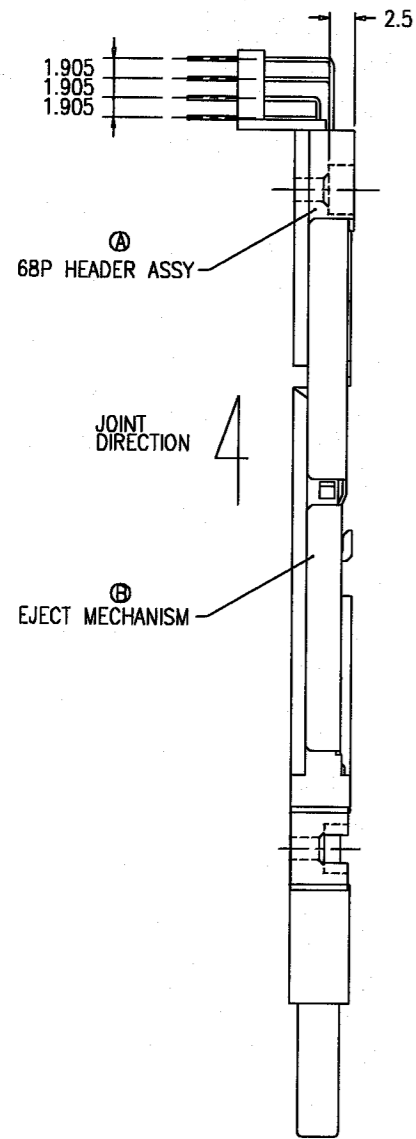
SHEET INDEX	ISSUE												
	SH. NO.												
TOLERANCES UNLESS OTHERWISE SPECIFIED		MAT		DR		DATE		CUSTOMER COPY		TITLE 68P DOUBLE EJECTOR HEADER TYPE I / II / III (UPPER DECK)			
SEE NOTE ④		SEE NOTE ④		M. Hasegawa		6/17/05		SANF Header PCMCIA		PRODUCT FAMILY		CODE JP	
LINEAR		FINISH		CHK		6/20/05		THIRD ANGLE PROJ		SCALE		REV SHEET	
SEE NOTE ⑤		SEE NOTE ⑤		M. Hasegawa		6/20/05		UNIT		SIZE		DWG. NO.	
ANGLES		ANGLES		APPD		6/20/05		MM		2/1		C	
								INCH		C		92711	
										C		40F	

0F-003A REV F

DO NOT SCALE PRINT THIS INFORMATION IS CONFIDENTIAL AND IS DISCLOSED TO YOU ON CONDITION THAT NO FURTHER DISCLOSURE IS MADE BY YOU TO OTHER THAN FCI PERSONNEL WITHOUT WRITTEN AUTHORIZATION FROM FCI JAPAN K.K.

PRODUCT No.	
92711-600CA	92711-600CALF
92711-600FA	92711-600FALF
92711-620CA	92711-620CALF

REVISIONS				
REV	DESCRIPTION	ECN	BY	DATE
A	RELEASED	J30108	N.T	4/8/93
B	REVISED	J40349	M.K	1/24/95
C	REVISED	V60956	M.K	7/29/96
D	REVISED	J05-0367	M.H	6/17/05



NOTE

- EJECT FORCE 3.5kg MAX.
- ASSY PROCESS
TO ASSY AFTER SETTING THIS HDR ONTO APPLICABLE HDR FOR LOWER DECK.
- EJECT TRAVEL 8.0mm

④ MATERIAL

- PART ④ (HEADER ASSY)
 PLASTIC : HOUSING LCP UL94V-0 NATURAL
 : LOCATOR G.F.6/6NYLON UL94V-0 BLACK
 PIN : PHOSPHOR BRONZE
- PART ⑤ (EJECT MECHANISM ASSY)
 PLASTIC : GUIDE POLYPHTHARAMID UL94V-0 BLACK
 : PUSH ROD POLYPHTHARAMID UL94V-0 BLACK
 PLATE : STAINLESS
 EMI CONTACT : PHOSPHOR BRONZE

⑤ -1 FINISH (PIN)

- UNDER PLATING : 0.5 μm MIN.Ni
- CONTACT AREA : 0.1 μm MIN.GOLD OVER 0.5 μm MIN. Pd-Ni
- SOLDER TAIL : 2.5 μm MIN.Sn-Pb.

⑤ -2 FINISH (PIN) (FOR -****LF)

- UNDER PLATING : 0.5 μm MIN.Ni
- CONTACT AREA : 0.1 μm MIN.GOLD OVER 0.5 μm MIN. Pd-Ni
- SOLDER TAIL : 2.5 μm MIN.Sn.

6. DIM "L"

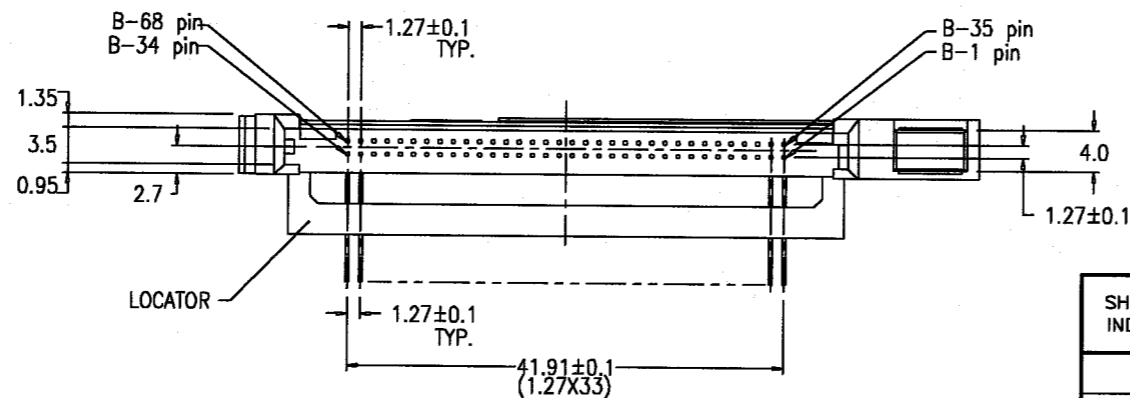
4.25±0.1	3.5±0.1	5.0±0.1
OTHERS	36.67	1.17, 34 35, 51, 68

7. RECOMMENDED FOOT PRINT

THIS HDR IS THE UPPER DECK FOR 68POS.DOUBLE EJECTOR HDR TYPE I/II/III.
REFER TO THE DRAWING P/N 92194-XXXCA.

8. GENERAL TOLERANCE : ±0.3

9. SEE SHEET 1. REGARDING COMPONENTS.



SHEET INDEX	ISSUE	TOLERANCES UNLESS OTHERWISE SPECIFIED		MAT	DR	DATE	CUSTOMER COPY	TITLE				
	SH NO.				M. Kasagawa	6/17/05		68P DOUBLE EJECTOR HEADER FOR TYPE I/II/III (UPPER DECK)				
LINEAR				FINISH	ENG	6/17/05	THIRD ANGLE PROJ	PRODUCT FAMILY	CODE			
ANGLES				SEE NOTE ⑤	CHK	6/20/05	UNIT	SANF Header PCMCIA	JP			
								SCALE	SIZE	DWG. NO.	REV	SHEET
								2/1	C	92711	D	50F



DF-003A REV F

DO NOT SCALE PRINT THIS INFORMATION IS CONFIDENTIAL AND IS DISCLOSED TO YOU ON CONDITION THAT NO FURTHER DISCLOSURE IS MADE BY YOU TO OTHER THAN FCI PERSONNEL WITHOUT WRITTEN AUTHORIZATION FROM FCI JAPAN K.K.