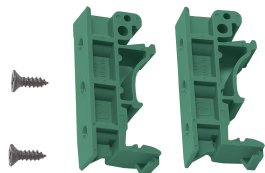


# DIN-rail Mounting Kits

## DIN-rail mounting kits

### Features and Benefits

- Detachable design for easy mounting
- DIN-rail mounting ability



## Introduction

The DIN-rail mounting kits make it easy to mount Moxa products on a DIN rail.

## Specifications

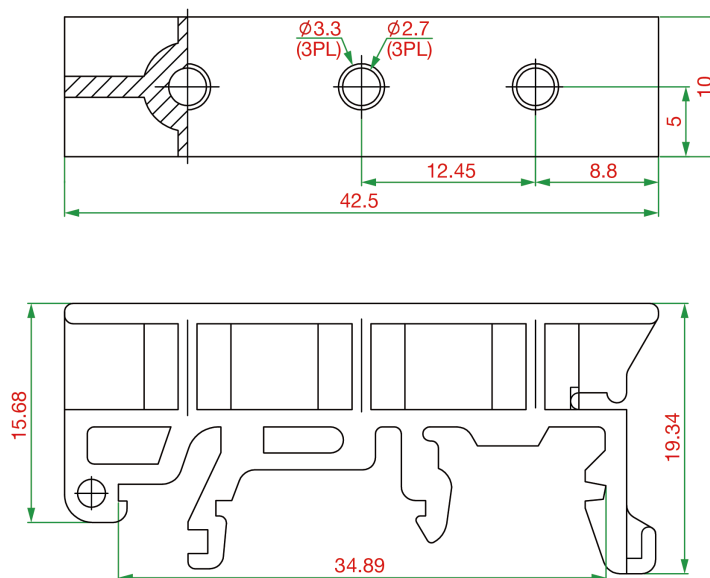
### Physical Characteristics

Dimensions	DK-25-01: 25 x 48.3 mm (0.98 x 1.90 in) DK35A: 42.5 x 10 x 19.34 mm (1.67 x 0.39 x 0.76 in) DK-DC50131-01: 120 x 50 x 9.8 mm (4.72 x 1.97 x 0.39 in)
------------	--

## Dimensions

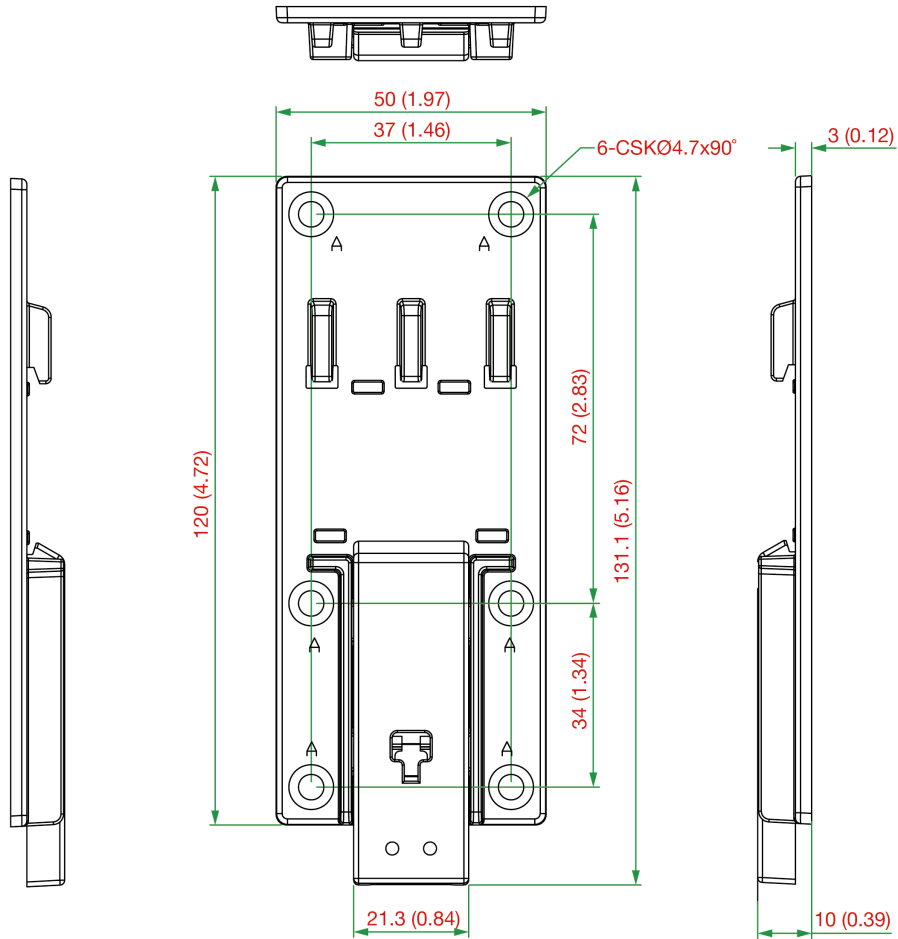
### DK35A

Unit: mm



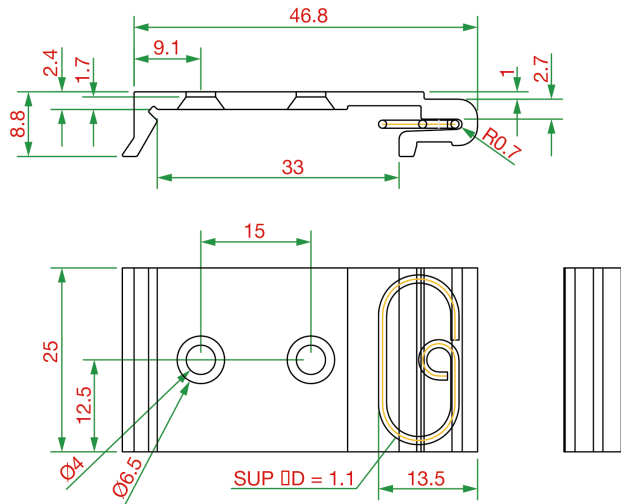
# DK-DC50131-01

Unit: mm (inch)



# DK-25-01

Unit: mm



## Ordering Information

Model Name	Related Products
DK35A	MGate 3180/3280/3480 Series NPort 5100/5100A Series NPort 5200/5200A Series NPort 5400 Series NPort 6100/6200/6400 Series NPort DE-211 NPort DE-311 NPort W2150A/W2250A Series UPort 404/407 Series UPort 1150I TCC-100 Series TCC-120 Series TCF-142 Series
DK-DC50131-01	V2403, V2406A, V2416A, V2426A
DK-25-01	UPort 404, UPort 407 Series
DK-UP1200	UPort 1200 Series
DK-UP1400	UPort 1400 Series

© Moxa Inc. All rights reserved. Updated Jan 30, 2020.

This document and any portion thereof may not be reproduced or used in any manner whatsoever without the express written permission of Moxa Inc. Product specifications subject to change without notice. Visit our website for the most up-to-date product information.