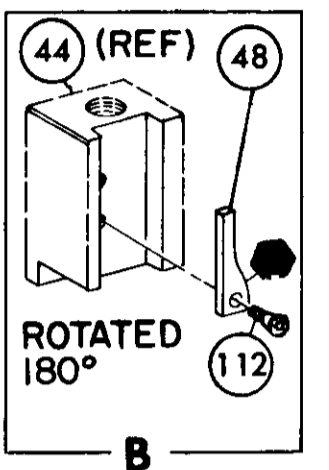
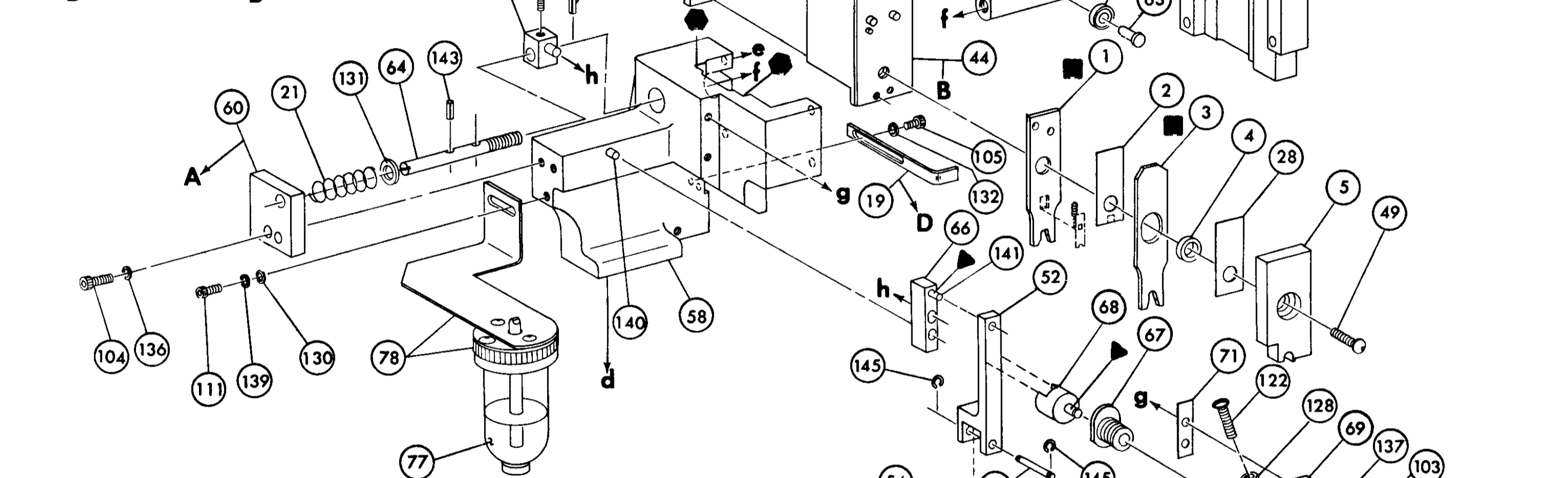
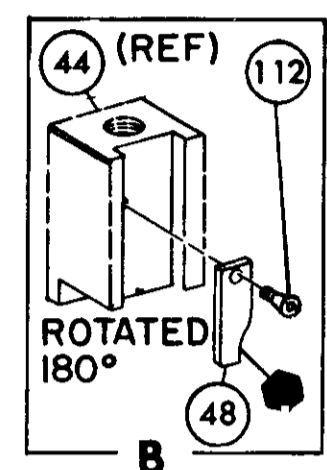


PRE-FEED
1 1/8" STROKE



POST-FEED
1 5/8" STROKE



NOTES:

1- ONLY THE ITEMS WITH QUANTITIES SPECIFIED ON PARTS LIST ARE USED ON THIS APPLICATOR.

▲ USED IN PLACE OF ITEM 38 WHEN INSULATION CRIMP IS NOT USED.

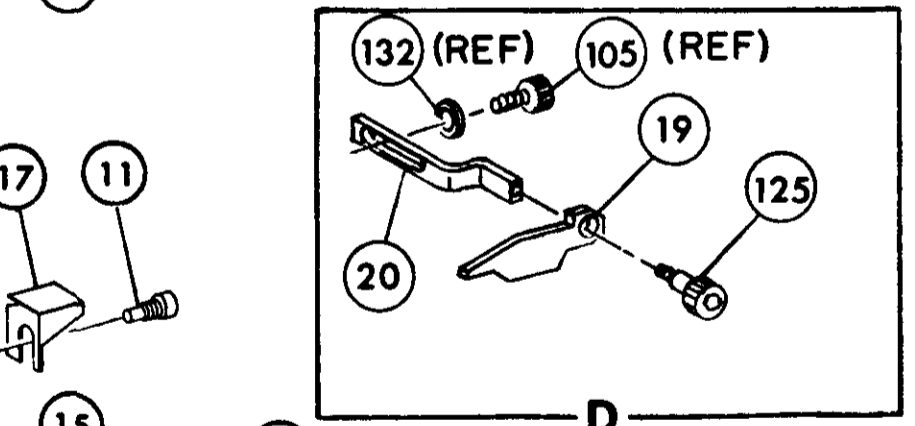
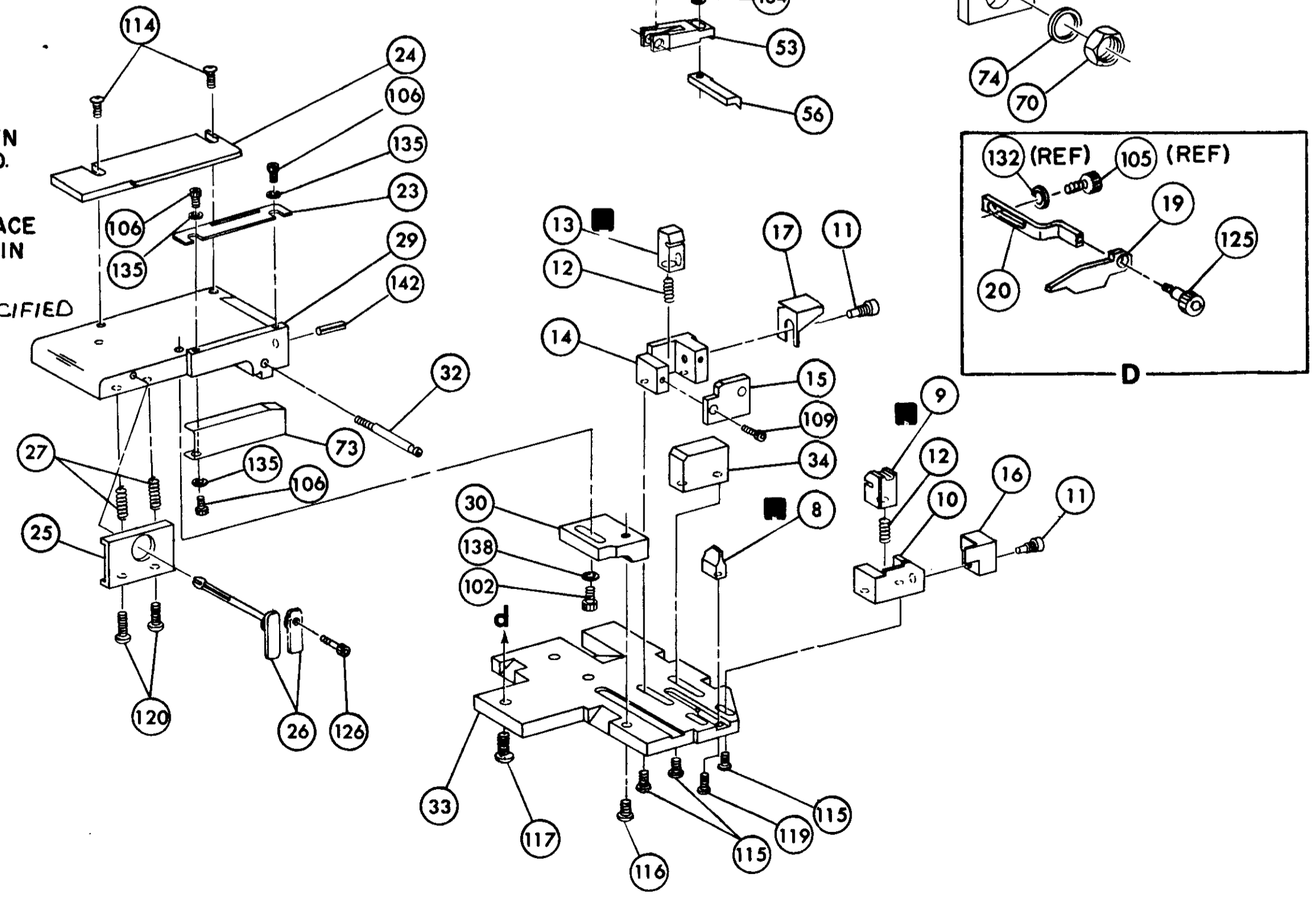
▲ GUARD MUST BE IN PLACE WHEN OPERATING APPLICATOR IN AMP-O-LECTRIC PRESS.

▲ PARTS WITH QTY OF REF. SPECIFIED (EXCEPT ITEM 79) ARE USED ON ITEM 46.

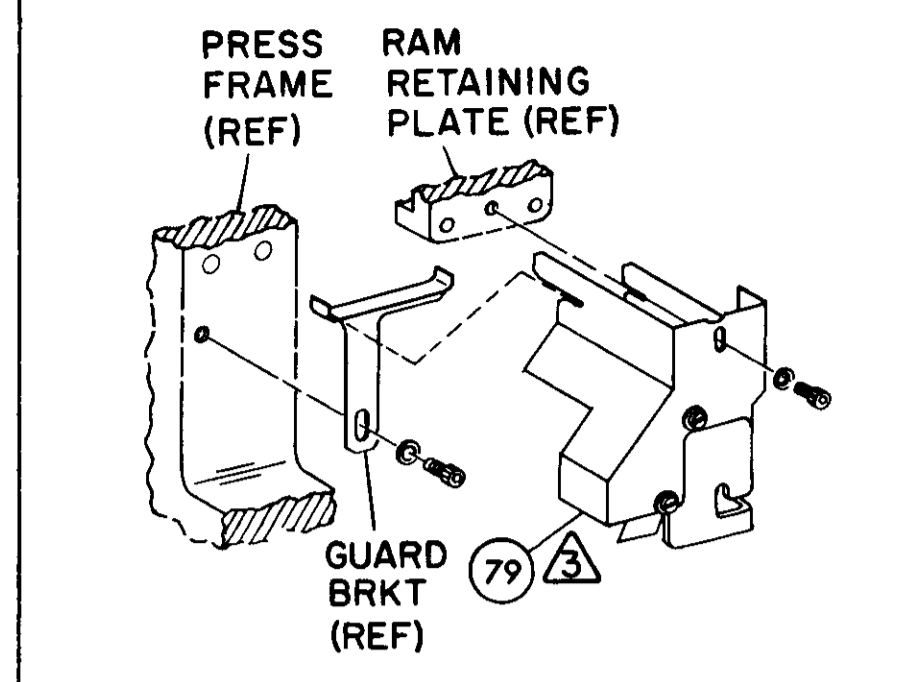
KEY: ■ RECOMMENDED SPARE PARTS

▲ LUBRICATE DAILY USING NO. 20 MACHINE OIL.

▲ GREASE LIGHTLY



AMP-O-LECTRIC* PRESS GUARD (REF)



REF.	PART NO	DESCRIPTION	QTY	PART NO	DESCRIPTION	ITEM NO
REF.	21045-3	RING, RETAINING 'C' (.187 DIA) FEED FINGER PIN	145	REF.	454220-1	CAP, HOUSING
			144	REF.	454485-1	HOUSING
REF.	5-21028-1	PIN, SLOT SPR (.125 DIA X .50) ADJ ROD	143			
1	4-21028-0	PIN, SLOT SPR (.093 DIA X .75) STR G PLATE	142	1	690542-2	PAWL, FEED
REF.	1-21030-1	PIN, DOWEL (.187 DIA X .50) LEVER	141	REF.	240624-1	PIN, FEED FINGER
REF.	1-21030-6	PIN, DOWEL (.187 DIA X 1.25) HOUSING	140	REF.	691499-1	SPRING, FEED FINGER
1	21024-5	WASHER, LOCK (NO 10) LUB ASSY	139	REF.	690541-1	FINGER, FEED
1	21024-5	WASHER, LOCK (NO 10) STRIP GUIDE ADJ BLOCK	138	REF.	455679-1	LEVER, TERMINAL FEED ARM
REF.	21024-5	WASHER, LOCK (NO 10) ADJ PLATE	137	1	811242-2	BUMPER, HOLDDOWN
REF.	21024-5	WASHER, LOCK (NO 10) FEED GUIDE ROD	136	1	690753-1	SPACER, TONKER
3	21024-2	WASHER, LOCK (NO 4) FRONT STRIP GUIDE	135	1	7-21002-9	BOLT, CRIMPER
1	21024-4	WASHER, LOCK (NO 8) FEED FINGER	134	1	690602-5	CAM PRE FEED 1 1/8 STROKE
	21024-4	WASHER, LOCK (NO 8) DEPRESSOR	133			
1	21024-4	WASHER, LOCK (NO 8) STRIPPER	132	1	459456-1	APPLICATOR, BASIC (SUB ASSY)
REF.	21899-4	WASHER, FLAT (5/16 DIA) SCREW ADJ	131	1	690191-1	PLUG, NYLON
1	21899-2	WASHER, FLAT (NO 10) LUB ASSY	130	1	455673-6	RAM
	21048-5	NUT, HEX MACH (6-32) HOLDDOWN	129	1	690125-1	WASHER, LAMINATED
REF.	21048-5	NUT, HEX MACH (6-32) FEED ADJ	128	1	690124-1	WASHER, RAM
			127	1	690223-1	DISC, SPACER
			126	1	23241-6	BALL, STEEL
1	456567-1	SCR, SHLD (.188 DIA X .125 LG) STRIPPER	125	1	690170-1	SPRING, COMPRESSION
1	21009-2	SCR, SKT SET (1/4-20 X .25) (LOC-WEL) RAM	124			DISC, INSULATION
2	21017-2	SCR, DRIVE (#2 X .19)	123	1	1-690141-9	DISC, WIRE
REF.	6-23715-5	SCR, PAN HD MACH (6-32 X 1.50) FEED ADJ	122	1	22480-5	WASHER, SPRING
1	461264-1	PLATE, IDENTIFICATION	121	1	690212-1	POST, RAM
2	2-21002-9	SCR, BUT HD SKT CAP (10-32 X .75) DRAG	120			SUPPORT, TERMINAL
1	22733-8	SCR, BUT HD SKT CAP (8-32 X .38) (LOC-WEL) ANVIL	119	REF.	455675-1	PLATE, BASE
REF.	2-21002-9	SCR, BUT HD SKT CAP (10-32 X .75) CAP	118	1	690432-3	SCREW, ADJUSTMENT
REF.	17177-1	SCR, BUT HD SKT CAP (1/4-20 X .75) HOUSING	117			
REF.	2-21002-7	SCR, BUT HD SKT CAP (10-32 X .50) SG ADJ BLOCK	116	REF.	455689-1	BLOCK, STRIP GUIDE ADJ
2	2-21002-2	SCR, BUT HD SKT CAP (8-32 X .50) SHEAR	115	1	455671-1	PLATE, STRIP GUIDE
2	2-21002-2	SCR, BUT HD SKT CAP (8-32 X .50) R STRIP GUIDE	114	1	1-455888-8	SPACER, FRONT SHEAR DEPRESSOR
			113	2	1-22284-0	SPRING, DRAG
1	2-21003-0	SCR, FLAT HD SKT CAP (6-32 X .50) CAM	112	1	690546-1	LEVER, DRAG RELEASE
1	3-21000-4	SCR, SKT HD CAP (10-32 X .38) LUBRICATOR ASSY	111	1	240792-1	DRAG, STOCK
1	23030-1	SCR, SKT HD CAP (6-32 X .25) (LOC-WEL) CP DISC	110	1	8-690504-1	GUIDE STRIP (REAR)
			109	1	690438-1	GUIDE, STRIP (FRONT)
			108			
1	2-22603-0	SCR, HEX HD MACH (8-32 X .31) FEED FINGER	107	REF.	4-22284-9	SPRING, FEED RETURN
3	1-21000-3	SCR, SKT HD CAP (4-40 X .25) F STRIP GUIDE	106	1	458950-1	ARM, STRIPPER
1	2-21000-7	SCR, SKT HD CAP (8-32 X .50) STRIPPER	105	1	458949-1	STRIPPER
REF.	3-21000-7	SCR, SKT HD CAP (10-32 X .75) FEED ROD GUIDE	104			HOLDER, TERMINAL
REF.	3-21000-6	SCR, SKT HD CAP (10-32 X .62) FEED ADJ BLOCK	103			GUARD, CHIP (REAR)
1	3-21000-4	SCR, SKT HD CAP (10-32 X .38) SG ADJ BLOCK	102	1	691667-1	GUARD, CHIP (FRONT)
REF.	3-21000-4	SCR, SKT HD CAP (10-32 X .38) PIVOT BLOCK	101			PLATE, SHEAR (REAR)
REF.	455749-1	GUARD, WINDOW	79			HOLDER, SHEAR (REAR)
1	1-465184-0	LUBRICATOR ASSY	78			SHEAR, FLOAT (REAR)
REF.	852931-2	OIL, LUBRICATING	77	1	5-22280-0	SPRING, SHEAR
			76	1	690461-1	STOP, SHEAR
			75	1	690459-1	HOLDER, SHEAR (FRONT)
REF.	458109-1	WASHER, SPECIAL	74	1	454276-1	SHEAR, FLOAT (FRONT)
1	454877-3	PLATE, STRIP GUIDE COVER	73	1	805840-3	ANVIL
1	690603-1	SPRING, ASSIST	72			SPACER, DEPRESSOR (REAR)
REF.	690517-1	SPACER	71			DEPRESSOR, SHEAR (REAR)
			70	1	455889-9	DEPRESSOR, SHEAR (FRONT)
			69			SPACER, TUBULAR, INS CRIMPER
			68			CRIMPER, INSULATION
			67			SPACER, CRIMPER
			66	1	462808-4	CRIMPER, WIRE
			65			
			64			
			63			
			62			
			61			
			60			
REF.	454178-1	GUIDE, FEED ROD	60			

CRIMPING DATA				APPLICATOR WILL APPLY	
PAD LTR	CRIMP HEIGHT	WIRE SIZE	STRIP LENGTH		
A	.046	19			63165
B	.044	20 or 21			63469
C	.042	22 or 23			
D	NOT USED				

CRIMP	SIZE	TYPE	FEED	APPL INST
WIRE	.090	"F"		
INSUL	—	—	.430	A18040
WIRE RANGE	INSULATION RANGE		PRESS NO	
19-23 MAG	—		565435-5	

REMARKS: AMP-O-LECTRIC PRE FEED

I.D. PLATE (REF) 461264-1

E	0150-7793-97	6/17	SET UP GAGE 10-1
D	0150-7489-97, REACT	6/17	458637-11194
C	0150-6183-96, OBS	6/17	APP
B	0150-2722-97	6/17	
A	CC-A-125288	6/17	
A	CC-A-093038	6/17	
A	CC-A-047399	6/17	

LOG A D NO 567086-1 REV E

NAME: MINIATURE QUICK CHANGE APPLICATOR

SIDE FEED (250 AMPLIVAR FASTON TAB)

THIS DRAWING IS A CONTROLLED DOCUMENT FOR AMP INC. IT IS SUBJECT TO CHANGE AND THE USER IS ADVISED THAT THE USER SHOULD BE CONTACTED FOR THE LATEST REVISION.
 THIS INFORMATION IS CONFIDENTIAL AND IS DISCLOSED TO YOU ON CONDITION THAT NO FURTHER DISCLOSURE IS MADE BY YOU TO OTHER THAN AMP PERSONNEL WITHOUT WRITTEN AUTHORIZATION FROM AMP INCORPORATED, HARRISBURG, PA.
 DIST 66 *Trademark of AMP Incorporated